

**OPEN**

Industry Standard, Flexible Architecture

**GREEN**

Less Heat, Less Power Consumption

**STABLE**

Robust Design, Quality Parts

Stable and  
Reliable Solution

**Server/Workstation**

Motherboard

**ROMED8-2T**  
**ROMED8-NL**  
**ROMED8-2T/BCM**

User Manual

English



Version 1.0

Published August 2022

Copyright©2022 ASRock Rack INC. All rights reserved.

## Copyright Notice:

No part of this documentation may be reproduced, transcribed, transmitted, or translated in any language, in any form or by any means, except duplication of documentation by the purchaser for backup purpose, without written consent of ASRock Rack Inc.

Products and corporate names appearing in this documentation may or may not be registered trademarks or copyrights of their respective companies, and are used only for identification or explanation and to the owners' benefit, without intent to infringe.

## Disclaimer:

Specifications and information contained in this documentation are furnished for informational use only and subject to change without notice, and should not be constructed as a commitment by ASRock Rack. ASRock Rack assumes no responsibility for any errors or omissions that may appear in this documentation.

With respect to the contents of this documentation, ASRock Rack does not provide warranty of any kind, either expressed or implied, including but not limited to the implied warranties or conditions of merchantability or fitness for a particular purpose.

In no event shall ASRock Rack, its directors, officers, employees, or agents be liable for any indirect, special, incidental, or consequential damages (including damages for loss of profits, loss of business, loss of data, interruption of business and the like), even if ASRock Rack has been advised of the possibility of such damages arising from any defect or error in the documentation or product.



This device complies with Part 15 of the FCC Rules. Operation is subject to the following two conditions:

- (1) this device may not cause harmful interference, and
- (2) this device must accept any interference received, including interference that may cause undesired operation.

This equipment has been tested and found to comply with the limits for a Class B digital device, pursuant to part 15 of the FCC Rules. These limits are designed to provide reasonable protection against harmful interference in a residential installation. This equipment generates, uses and can radiate radio frequency energy and, if not installed and used in accordance with the instructions, may cause harmful interference to radio communications. However, there is no guarantee that interference will not occur in a particular installation. If this equipment does cause harmful interference to radio or television reception, which can be determined by turning the equipment off and on, the user is encouraged to try to correct the interference by one or more of the following measures:

- Reorient or relocate the receiving antenna.
- Increase the separation between the equipment and receiver.
- Connect the equipment into an outlet on a circuit different from that to which the receiver is connected.
- Consult the dealer or an experienced radio/TV technician for help.

## CALIFORNIA, USA ONLY

The Lithium battery adopted on this motherboard contains Perchlorate, a toxic substance controlled in Perchlorate Best Management Practices (BMP) regulations passed by the California Legislature. When you discard the Lithium battery in California, USA, please follow the related regulations in advance.

“Perchlorate Material-special handling may apply, see [www.dtsc.ca.gov/hazardouswaste/perchlorate](http://www.dtsc.ca.gov/hazardouswaste/perchlorate)”

## AUSTRALIA ONLY

Our goods come with guarantees that cannot be excluded under the Australian Consumer Law. You are entitled to a replacement or refund for a major failure and compensation for any other reasonably foreseeable loss or damage caused by our goods. You are also entitled to have the goods repaired or replaced if the goods fail to be of acceptable quality and the failure does not amount to a major failure. If you require assistance please call ASRock Rack Tel : +886-2-55599600 ext.123 (Standard International call charges apply)



ASRock Rack INC. hereby declares that this device is in compliance with the essential requirements and other relevant provisions of related UKCA Directives. Full text of UKCA declaration of conformity is available at: <http://www.asrockrack.com>



ASRock Rack INC. hereby declares that this device is in compliance with the essential requirements and other relevant provisions of related Directives. Full text of EU declaration of conformity is available at: <http://www.asrockrack.com>

ASRock Rack follows the green design concept to design and manufacture our products, and makes sure that each stage of the product life cycle of ASRock Rack product is in line with global environmental regulations. In addition, ASRock Rack disclose the relevant information based on regulation requirements.

Please refer to <https://www.asrockrack.com/general/about.asp?cat=Responsibility> for information disclosure based on regulation requirements ASRock Rack is complied with:



DO NOT throw the motherboard in municipal waste. This product has been designed to enable proper reuse of parts and recycling. This symbol of the crossed out wheeled bin indicates that the product (electrical and electronic equipment) should not be placed in municipal waste. Check local regulations for disposal of electronic products.

## Contents

<b>Chapter 1 Introduction</b>	<b>1</b>
1.1 Package Contents	1
1.2 Specifications	2
1.3 Unique Features	6
1.4 Motherboard Layout	7
1.5 Onboard LED Indicators	10
1.6 I/O Panel	12
1.7 Block Diagram	15
<b>Chapter 2 Installation</b>	<b>17</b>
2.1 Screw Holes	17
2.2 Pre-installation Precautions	18
2.3 Installing the CPU	19
2.4 Installation of Memory Modules (DIMM)	23
2.5 Expansion Slots (PCI Express Slots)	25
2.6 Jumper Setup	26
2.7 Onboard Headers and Connectors	28
2.8 Dr. Debug	34
2.9 Unit Identification purpose LED/Switch	40
2.10 Dual LAN and Teaming Operation Guide (ROMED8-2T only)	41
2.11 M.2 SSD Module Installation Guide	42
<b>Chapter 3 UEFI Setup Utility</b>	<b>44</b>
3.1 Introduction	44
3.1.1 UEFI Menu Bar	44

3.1.2	Navigation Keys	45
3.2	Main Screen	46
3.3	Advanced Screen	47
3.3.1	CPU Configuration	48
3.3.2	Chipset Configuration	49
3.3.3	Storage Configuration	52
3.3.4	ACPI Configuration	53
3.3.5	USB Configuration	54
3.3.6	Super IO Configuration	55
3.3.7	Serial Port Console Redirection	56
3.3.8	H/W Monitor	59
3.3.9	AMD CBS	61
3.3.10	AMD PBS	62
3.3.11	PSP Firmware Versions	63
3.3.12	Instant Flash	64
3.4	Server Mgmt	65
3.4.1	System Event Log	66
3.4.2	BMC Network Configuration	67
3.4.2	BMC Tools	69
3.5	Security	70
3.5.1	Key Management	71
3.6	Boot Screen	74
3.6.1	CSM Parameters	76
3.7	Event Logs	78

3.8 Exit Screen 80

**Chapter 4 Software Support 81**

4.1 Download and Install Operating System 81

4.2 Download and Install Software Drivers 81

4.3 Contact Information 81

**Chapter 5 Troubleshooting 82**

5.1 Troubleshooting Procedures 82

5.2 Technical Support Procedures 84

5.3 Returning Merchandise for Service 84

# Chapter 1 Introduction

Thank you for purchasing ASRock Rack **ROMED8-2T / ROMED8-NL / ROMED8-2T/BCM** motherboard, a reliable motherboard produced under ASRock Rack's consistently stringent quality control. It delivers excellent performance with robust design conforming to ASRock Rack's commitment to quality and endurance.

In this manual, chapter 1 and 2 contains introduction of the motherboard and step-by-step guide to the hardware installation. Chapter 3 and 4 contains the configuration guide to BIOS setup and driver installation.



*Because the motherboard specifications and the BIOS software might be updated, the content of this manual will be subject to change without notice. In case any modifications of this manual occur, the updated version will be available on ASRock Rack website without further notice. You may find the latest memory and CPU support lists on ASRock Rack website as well. ASRock Rack's Website: [www.ASRockRack.com](http://www.ASRockRack.com)*

*If you require technical support related to this motherboard, please visit our website for specific information about the model you are using.  
<http://www.asrockrack.com/support/>*

## 1.1 Package Contents

- ASRock Rack ROMED8-2T / ROMED8-NL / ROMED8-2T/BCM Motherboard (ATX Form Factor: 12.0-in x 9.6-in, 30.5 cm x 24.4 cm)
- Quick Installation Guide
- 1 x I/O Shield
- 2 x Mini SAS HD to 4\*SATA Cables (60cm)
- 2 x Screws for M.2 Sockets



*If any items are missing or appear damaged, contact your authorized dealer.*

## 1.2 Specifications

ROMED8-2T / ROMED8-NL / ROMED8-2T/BCM	
MB Physical Status	
Form Factor	ATX
Dimension	12" x 9.6" (30.5 cm x 24.4 cm)
Processor System	
CPU	AMD EPYC™ 7003/7002/7001 Series Processor Family <i>*The latest version of BIOS supports AMD EPYC™ 7003/7002 Series only.</i>
Socket	Single Socket SP3 (LGA4094)
Chipset	System on Chip
System Memory	
Type	- Eight Channel DDR4 memory technology (1DPC) - Supports DDR4 RDIMM, LRDIMM, and NVDIMM (Jump Option)
DIMM Size Per DIMM	- RDIMM: 64GB, 32GB, 16GB, 8GB - LRDIMM: 128GB**, 64GB*, 32GB - NV DIMM: 32GB  <i>*64GB: wait for the device to be validated</i> <i>**128GB: wait for the device to be validated</i>
DIMM Frequency	- RDIMM: 3200MHz - LRDIMM: 3200MHz* - NVDIMM: 3200MHz  <i>*Wait for the device to be validated</i>
Voltage	1.2V
Expansion Slot	
PCIe 4.0 x 16	PCIe1: Gen4 x16 link PCIe2: Gen4 x16 link (shared with M2_1/OCU1/OCU2/ SATA_4_7 by PE8_SEL/PE16_SEL jumpers) PCIe3: Gen4 x16 link PCIe4: Gen4 x16 link PCIe5: Gen4 x16 link PCIe6: Gen4 x16 link PCIe7: Gen4 x16 link  <i>(slot with latch, only for ROMED8-2T R1.03/ROMED8-2T/BCM)</i>
Storage	
SATA Controller	8 x SATA3 6.0 Gb/s (from 2x mini SAS HD)
M.2 Slot	2 (M2_1: 2230/2242/2260/2280, SATA3/PCIE4(X4); M2_2: 2230/2242/2260/2280/22110, SATA3/PCIE4(X4))
Ethernet	
Interface	<b>ROMED8-2T:</b> 10000/1000 /100 Mbps by Intel X550-AT2  <b>ROMED8/BCM:</b>  10000/1000 Mbps by BCM57416



	<b>ROMED8-NL:</b> N/A
LAN Controller	<b>ROMED8-2T:</b> - 2 x RJ45 10G base-T by Intel® X550-AT2 - 1 x RJ45 Dedicated IPMI LAN port by RTL8211E  - Supports Wake-On-LAN - Supports Energy Efficient Ethernet 802.3az - Supports Dual LAN with Teaming function - Supports PXE - LAN1 supports NCSI  <b>ROMED8-2T/BCM:</b> - 2 x RJ45 10G base-T by Broadcom BCM57416 - 1 x RJ45 Dedicated IPMI LAN port by RTL8211E  - Supports Wake-On-LAN - Supports PXE - LAN1 supports NCSI  <b>ROMED8-NL:</b> - 1 x RJ45 Dedicated IPMI LAN port by RTL8211E
<b>Management</b>	
BMC Controller	ASPEED AST2500
IPMI Dedicated GLAN	1 x Realtek RTL8211E for dedicated management GLAN
Features	Watch Dog NMI
<b>Graphics</b>	
Controller	ASPEED AST2500
<b>Rear Panel I/O</b>	
VGA Port	1 x D-Sub
Serial port	1 x COM port
USB 3.2 Gen1 Port	2
USB 3.2 Gen2 Port	<b>ROMED8-2T:</b> 1 (typeC)  <b>ROMED8-NL / ROMED8-2T/BCM:</b> N/A
LAN Port	<b>ROMED8-2T / ROMED8-2T/BCM:</b> - 2+1 RJ45 Gigabit Ethernet LAN port - LAN Ports with LED (ACT/LINK LED and SPEED LED)  <b>ROMED8-NL:</b> - 1 RJ45 Gigabit Ethernet LAN port - LAN Pors with LED (ACT/LINK LED and SPEED LED)
UID	1

Internal Connector	
Auxiliary Panel Header	1 (includes chassis intrusion, location button & LED, and front LAN LED)
System Panel	1 (rst, pwbtn, hddled, pwried)
TPM Header	1
TPM-SPI Header	1
IPMB Header	1
Fan Header	7 Fans x 6-pin
ATX Power	1 x (24-pin) + 1 x (8-pin) + 1 x (4-pin) + 1 x (6-pin)(6 pin for GPU for PCIE Slot)
USB 3.2 Gen1 Header	1 (supports 2 USB 3.2 Gen1 ports)
USB 3.2 Gen2 Type C Header	<b>ROMED8-2T:</b> 1 (supports 1 USB 3.2 Gen2 port)  <b>ROMED8-NL / ROMED8-2T/BCM:</b> N/A
M.2	2(M2_1: 2230/2242/2260/2280, SATA3/PCIE4(X4); M2_2:2230/2242/2260/2280/22110, SATA3/PCIE4(X4))
OCulink	2
BMC SMB	1
PSU SMB	1
Thermal Sensor Header	<b>ROMED8-2T (R1.03) / ROMED8-2T/BCM :</b> 2  <b>ROMED8-2T (R1.02 and below) / ROMED8-NL :</b> 1
80 debug port LED	1
Speaker(4pin)	1
ClearCMOS	1
CPU1_HSBP1	1
NMI Header	1
Standby PWR LED 5vsb	1 (5VSB)
BMC heartbeat LED	1
OH/FanFail LED	7 (only Fan Fail LED)
System BIOS	
BIOS Type	32MB AMI UEFI Legal BIOS
BIOS Features	Plug and Play (PnP), ACPI 6.3 Compliance Wake Up Events, SMBIOS 3.3.0, ASRock Rack Instant Flash

Hardware Monitor	
Temperature	<ul style="list-style-type: none"> <li>- CPU Temperature Sensing</li> <li>- MB/TR1/TR2(for ROMED8-2T R1.03 and ROMED8-2T/BCM) / Card side Temperature Sensing</li> <li>- DDR4_A~DDR4_H Temperature Sensing</li> </ul>
Fan	<ul style="list-style-type: none"> <li>- Fan Tachometer</li> <li>- CPU Quiet Fan (Allow CPU Fan Speed Auto-Adjust by CPU Temperature)</li> <li>- Fan Multi-Speed Control</li> </ul>
Voltage	Voltage Monitoring: V <sub>soc</sub> ,V <sub>cpu</sub> , V <sub>CCM</sub> , V <sub>PPM</sub> , 3V/5V/12V, +BAT, 3V <sub>SB</sub> , 5V <sub>SB</sub> , 1.8V, 1.8V <sub>SB</sub> , LAN_0.83V (ROMED8-2T X550-AT2 Voltage), DVDD (ROMED8-2T/BCM Broadcom 57416 Voltage)

Support OS	
OS	<p>Microsoft® Windows®</p> <ul style="list-style-type: none"> <li>- Server 2016 (64 bit)</li> <li>- Server 2019 (64 bit)</li> <li>- Server 2022 (64 bit)</li> </ul> <p>Linux®</p> <ul style="list-style-type: none"> <li>- RedHat Enterprise Linux Server 8.0 (64 bit) / 7.6 (64 bit)</li> <li>- CentOS 8.0 (64 bit) / 7.6 (64 bit)</li> <li>- SUSE SLES 15.1 (64 bit) / 12.4 (64 bit)</li> <li>- Ubuntu 18.04.3 (64 bit) / 16.04.6 (64 bit)</li> <li>- CITRIX Hypervisor 8.1</li> </ul> <p>Virtual</p> <ul style="list-style-type: none"> <li>- VMWare ESXi 6.5 u3 / 6.7 u3</li> <li>- vSphere 6.5 u3/ / 6.7 u3</li> </ul> <p><i>* The SUSE Enterprise Linux Server 15.1 (64 bit) / 12.4 (64 bit) system only supports UEFI BOOT.</i></p> <p><i>* Please refer to our website for the latest OS support list.</i></p>

Environment	
Temperature	Operation temperature: 10°C ~ 35°C / Non operation temperature: -40°C ~ 70°C

NOTE: Please refer to our website for the latest specifications.



This motherboard supports Wake from on Board LAN. To use this function, please make sure that the "Wake on Magic Packet from power off state" is enabled in Device Manager > Intel® Ethernet Connection > Power Management. And the "PCI Devices Power On" is enabled in UEFI SETUP UTILITY > Advanced > ACPI Configuration. After that, onboard LAN1&2 can wake up S5 under OS.

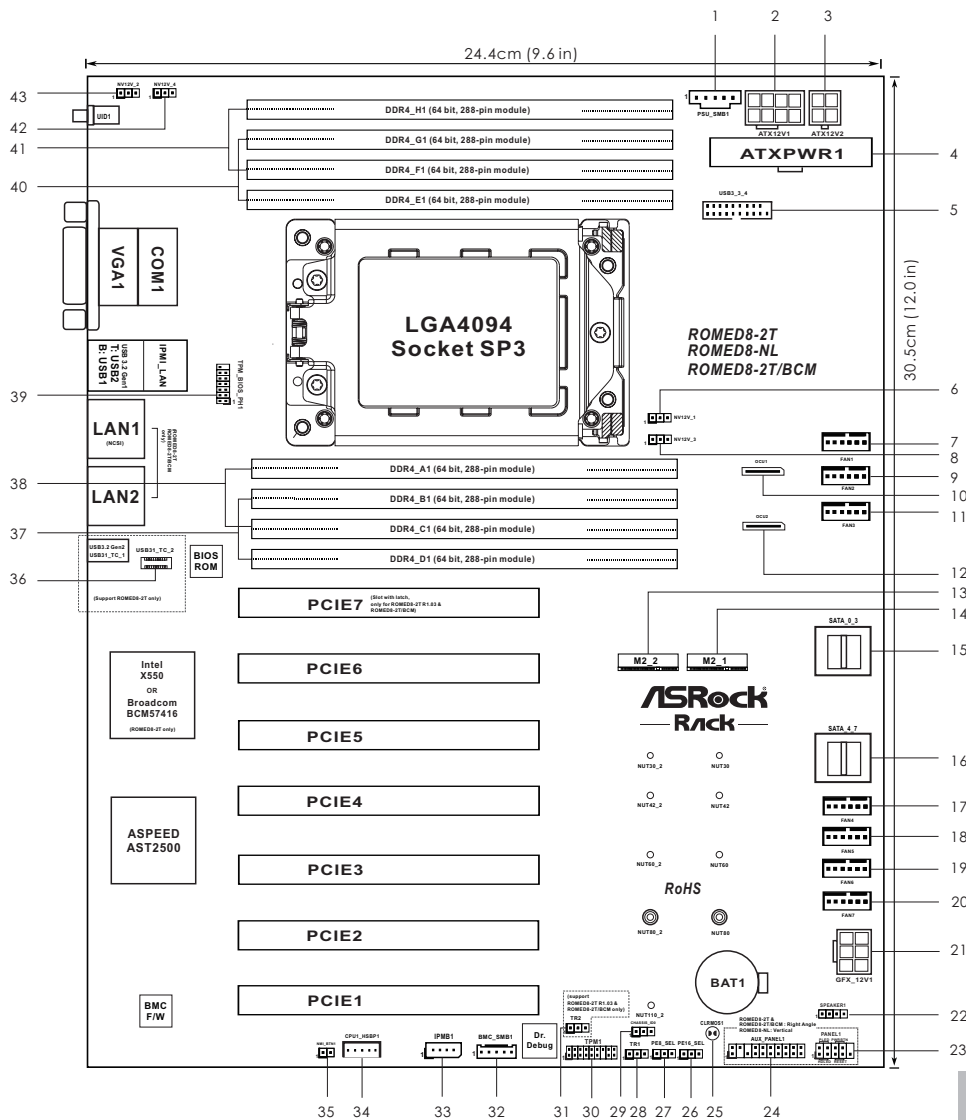


If you install Intel® LAN utility or Marvell SATA utility, this motherboard may fail Windows® Hardware Quality Lab (WHQL) certification tests. If you install the drivers only, it will pass the WHQL tests.

## 1.3 Unique Features

ASRock Rack Instant Flash is a BIOS flash utility embedded in Flash ROM. This convenient BIOS update tool allows you to update system BIOS without entering operating systems first like MS-DOS or Windows. With this utility, you can press the <F6> key during the POST or the <F2> key to enter into the BIOS setup menu to access ASRock Rack Instant Flash. Just launch this tool and save the new BIOS file to your USB flash drive, floppy disk or hard drive, then you can update your BIOS only in a few clicks without preparing an additional floppy diskette or other complicated flash utility. Please be noted that the USB flash drive or hard drive must use FAT32/16/12 file system.

## 1.4 Motherboard Layout

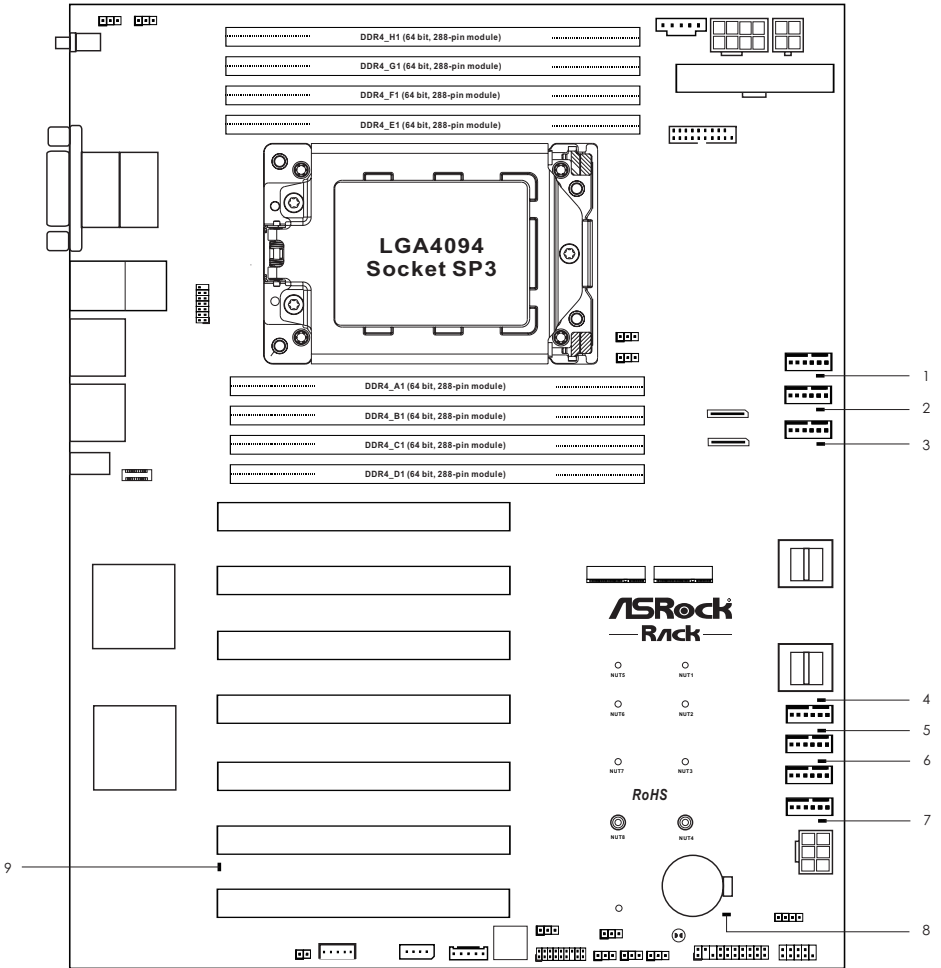


No.	Description
1	PSU SMBus Header (PSU_SMB1)
2	ATX 12V Power Connector (ATX12V1)
3	ATX 12V Power Connector (ATX12V2)
4	ATX Power Connector (ATXPWR1)
5	USB 3.2 Gen1 Header (USB3_3_4)
6	NVDIMM Power Support Jumper (NV12V_1)
7	System Fan Connector (FAN1)
8	NVDIMM Power Support Jumper (NV12V_3)
9	System Fan Connector (FAN2)
10	OCuLink x4 Connector (OCU1)
11	System Fan Connector (FAN3)
12	OCuLink x4 Connector (OCU2)
13	M.2 Socket (M2_2) (Type 2230/2242/2260/2280/22110)
14	M.2 Socket (M2_1) (Type 2230/2242/2260/2280)
15	Mini-SAS HD Connector (SATA_0_3)
16	Mini-SAS HD Connector (SATA_4_7)
17	System Fan Connector (FAN4)
18	System Fan Connector (FAN5)
19	System Fan Connector (FAN6)
20	System Fan Connector (FAN7)
21	Graphics 12V Power Connector (GFX_12V1)
22	Speaker Header (SPEAKER1)
23	System Panel Header (PANEL1)
24	Auxiliary Panel Header (AUX_PANEL1)
25	Clear CMOS Pad (CLRMOS1)
26	PCIe2 x16 Selection Jumper (PE16_SEL)
27	PCIe2 x8 Selection Jumper (PE8_SEL)
28	Thermal Sensor Header (TR1)
29	Chassis ID Jumper (CHASSIS_ID0)
30	TPM Header (TPM1)
31	Thermal Sensor Header (TR2)
32	BMC SMBus Header (BMC_SMB1)
33	Intelligent Platform Management Bus Header (IPMB1)

No.	Description
34	Backplane PCI Express Hot-Plug Connector (CPU1_HSBP1)
35	Non Maskable Interrupt Button (NMI_BTN1)
36	Front Panel Type C USB 3.2 Gen2 Header (USB31_TC_2) (ROMED8-2T only)
37	2 x 288-pin DDR4 DIMM Slots (DDR4_B1, DDR4_D1)*
38	2 x 288-pin DDR4 DIMM Slots (DDR4_A1, DDR4_C1)*
39	TPM-SPI Header (TPM_BIOS_PH1)
40	2 x 288-pin DDR4 DIMM Slots (DDR4_E1, DDR4_G1)*
41	2 x 288-pin DDR4 DIMM Slots (DDR4_F1, DDR4_H1)*
42	NVDIMM Power Support Jumper (NV12V_4)
43	NVDIMM Power Support Jumper (NV12V_2)

*\*For DIMM installation and configuration instructions, please see p.21 (Installation of Memory Modules (DIMM)) for more details.*

# 1.5 Onboard LED Indicators

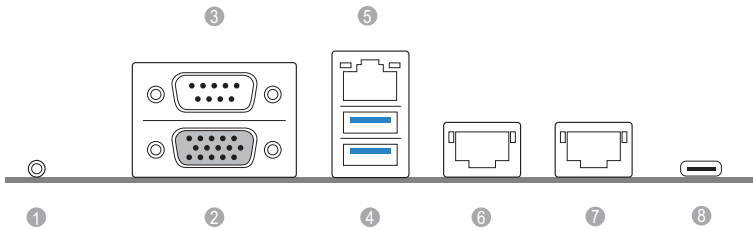




No.	Item	Status	Description
1	FAN_LED1	Amber	FAN1 failed
2	FAN_LED2	Amber	FAN2 failed
3	FAN_LED3	Amber	FAN3 failed
4	FAN_LED4	Amber	FAN4 failed
5	FAN_LED5	Amber	FAN5 failed
6	FAN_LED6	Amber	FAN6 failed
7	FAN_LED7	Amber	FAN7 failed
8	SB_PWR1	Green	STB PWR ready
9	BMC_LED1	Green	BMC heartbeat LED

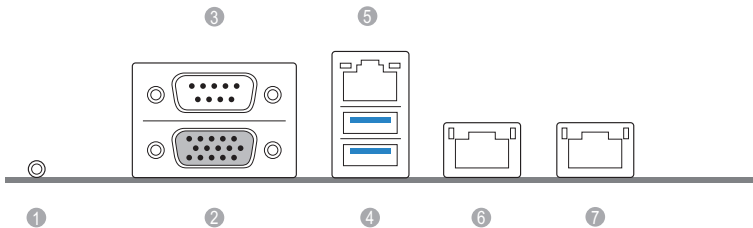
## 1.6 I/O Panel

### ROMED8-2T



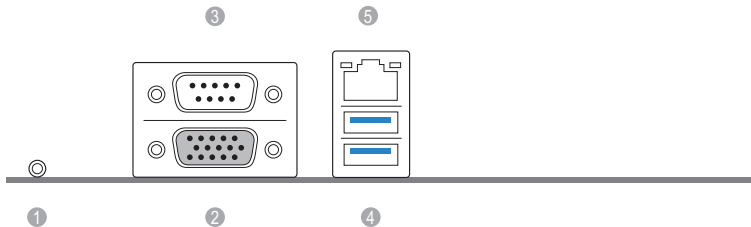
No.	Description	No.	Description
1	UID Switch (UID1)	5	LAN RJ-45 Port (IPMI_LAN1)*
2	VGA Port (VGA1)	6	10G LAN RJ-45 Port (LAN1)**
3	Serial Port (COM1)	7	10G LAN RJ-45 Port (LAN2)**
4	USB 3.2 Gen1 Ports (USB3_1_2)	8	USB 3.2 Gen2 Port (USB31_TC_1)

### ROMED8-2T/BCM



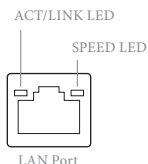
No.	Description	No.	Description
1	UID Switch (UID1)	5	LAN RJ-45 Port (IPMI_LAN1)*
2	VGA Port (VGA1)	6	10G LAN RJ-45 Port (LAN1)**
3	Serial Port (COM1)	7	10G LAN RJ-45 Port (LAN2)**
4	USB 3.2 Gen1 Ports (USB3_1_2)		

## ROMED8-NL



No.	Description	No.	Description
1	UID Switch (UID1)	4	USB 3.2 Gen1 Ports (USB3_1_2)
2	VGA Port (VGA1)	5	LAN RJ-45 Port (IPMI_LAN1)*
3	Serial Port (COM1)		

\*There are two LED next to the LAN port. Please refer to the table below for the LAN port LED indications.

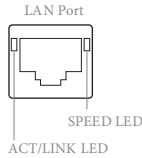


### Dedicated IPMI LAN Port LED Indications

Activity / Link LED		Speed LED	
Status	Description	Status	Description
Off	No Link	Off	10M bps connection or no link
Blinking Yellow	Data Activity	Yellow	100M bps connection
On	Link	Green	1Gbps connection

**ROMED8-2T only:**

\*\*There are two LEDs on each LAN port. Please refer to the table below for the LAN port LED indications.

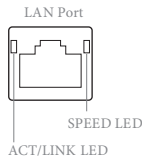


**LAN Port (LAN1, LAN2) LED Indications**

Activity / Link LED		Speed LED	
Status	Description	Status	Description
Off	No Link	Off	100Mbps connection or no link
Blinking Yellow	Data Activity	Off	1Gbps connection
On	Link	Green	10Gbps connection

**ROMED8-2T/BCM only:**

\*\*There are two LEDs on each LAN port. Please refer to the table below for the LAN port LED indications.

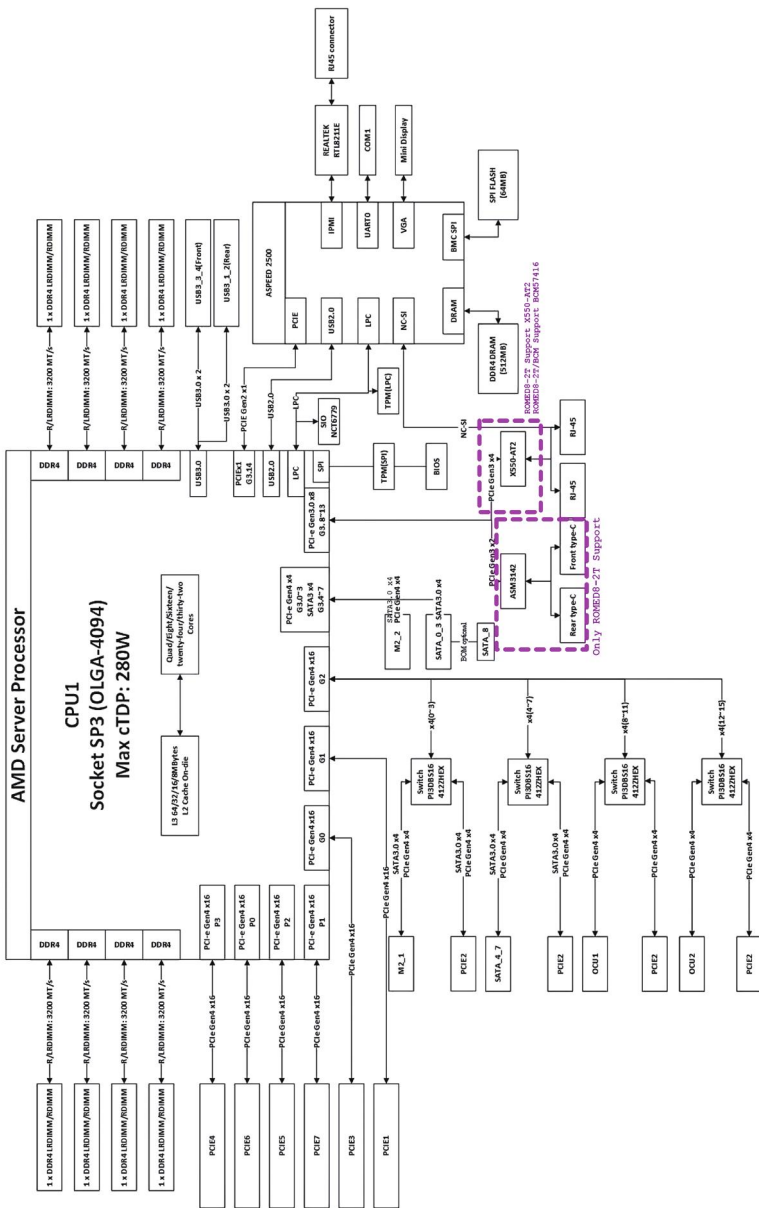


**LAN Port (LAN1, LAN2) LED Indications**

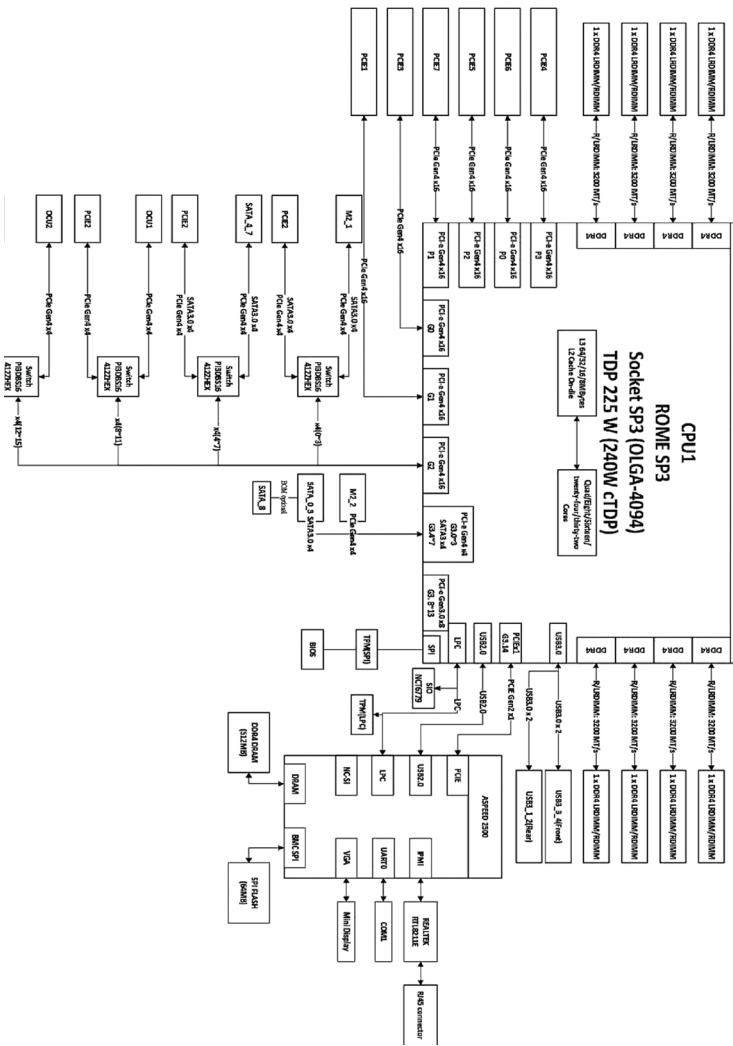
Activity / Link LED		Speed LED	
Status	Description	Status	Description
Off	No Link	Off	100Mbps connection or no link
Blinking Yellow	Data Activity	Yellow	1Gbps connection
On	Link	Green	10Gbps connection

1.7 Block Diagram

ROMED8-2T / ROMED8-2T/BCM



# ROMED8-NL



## Chapter 2 Installation

This is an ATX form factor (12" x 9.6", 30.5 cm x 24.4 cm) motherboard. Before you install the motherboard, study the configuration of your chassis to ensure that the motherboard fits into it.



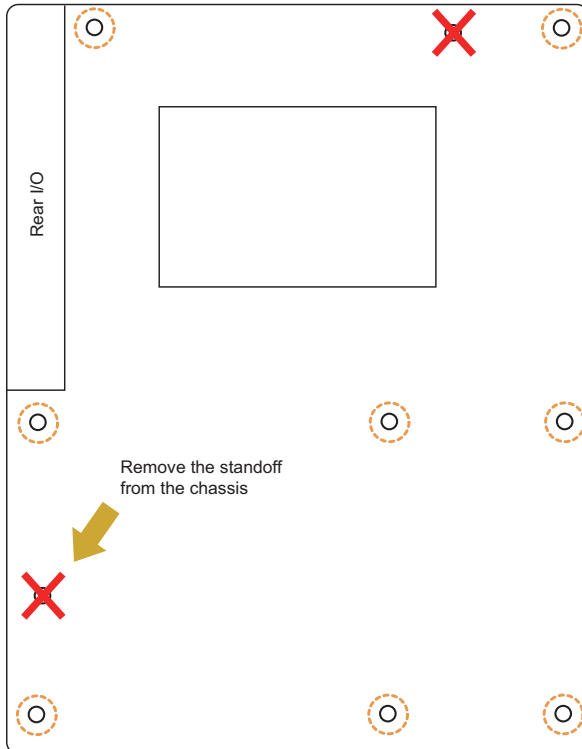
*Make sure to unplug the power cord before installing or removing the motherboard. Failure to do so may cause physical injuries to you and damages to motherboard components.*

### 2.1 Screw Holes

Place screws into the holes indicated by circles to secure the motherboard to the chassis.



*Attention! Before installing this motherboard, be sure to unscrew and remove the standoffs at the marked location, under the motherboard, from the chassis, in order to avoid electrical short circuit and damage to your motherboard.*





*Do not over-tighten the screws! Doing so may damage the motherboard.*

## 2.2 Pre-installation Precautions

Take note of the following precautions before you install motherboard components or change any motherboard settings.

1. Unplug the power cord from the wall socket before touching any components.
2. To avoid damaging the motherboard's components due to static electricity, NEVER place your motherboard directly on the carpet or the like. Also remember to use a grounded wrist strap or touch a safety grounded object before you handle the components.
3. Hold components by the edges and do not touch the ICs.
4. Whenever you uninstall any component, place it on a grounded anti-static pad or in the bag that comes with the component.
5. When placing screws into the screw holes to secure the motherboard to the chassis, please do not over-tighten the screws! Doing so may damage the motherboard.



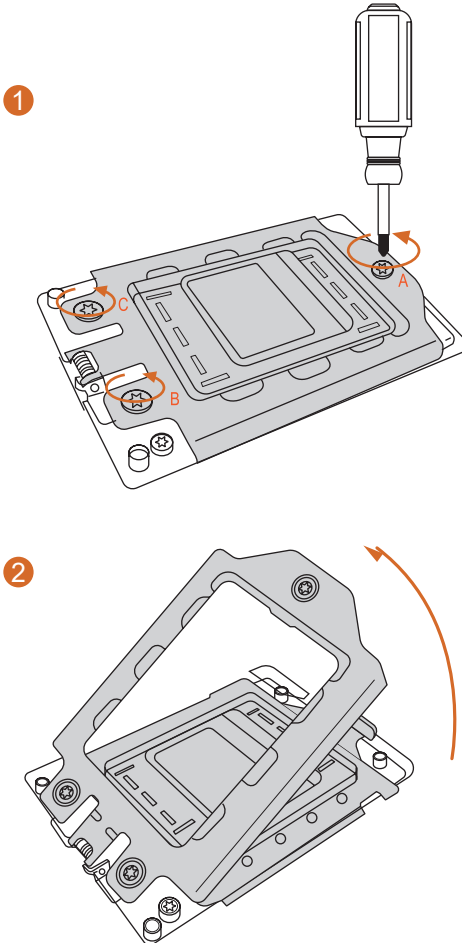
*Before you install or remove any component, ensure that the power is switched off or the power cord is detached from the power supply. Failure to do so may cause severe damage to the motherboard, peripherals, and/or components.*



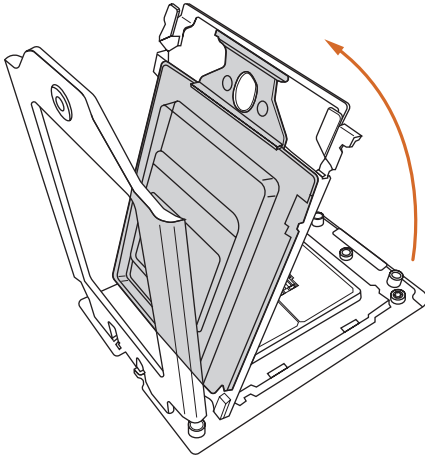
## 2.3 Installing the CPU



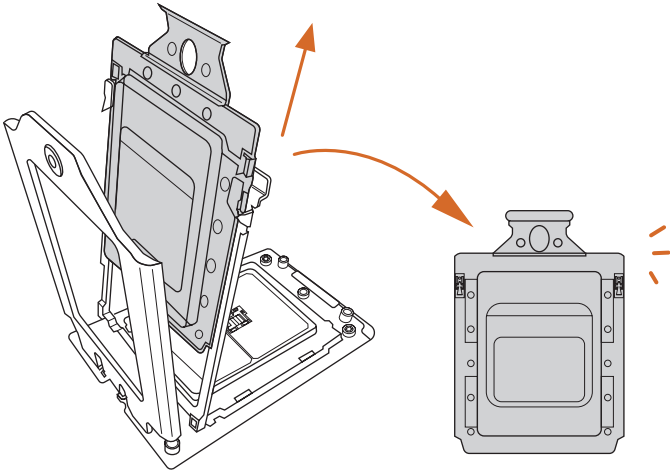
1. Before you insert the CPU into the socket, please check if the PnP cap is on the socket, if the CPU surface is unclean, or if there are any bent pins in the socket. Do not force to insert the CPU into the socket if above situation is found. Otherwise, the CPU will be seriously damaged.
2. Unplug all power cables before installing the CPU.



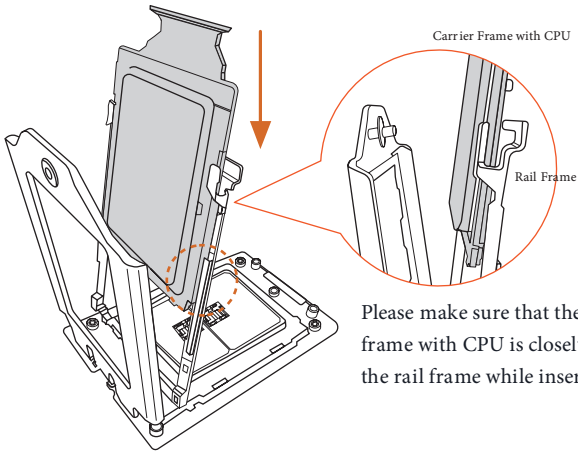
3



4

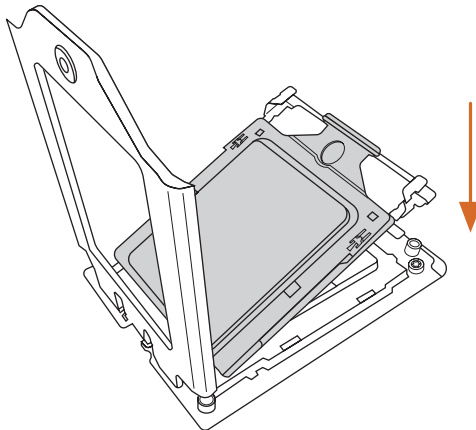


5

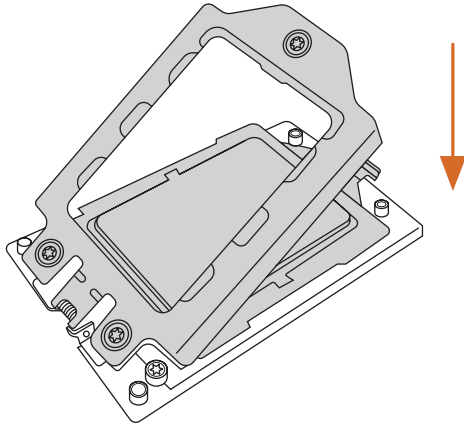


Install the carrier frame with CPU. Don't separate them.

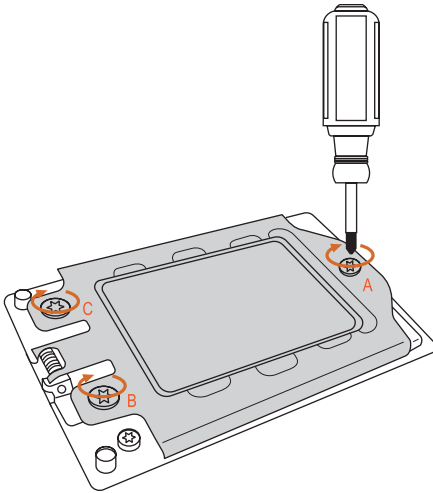
6



7



8



## 2.4 Installation of Memory Modules (DIMM)

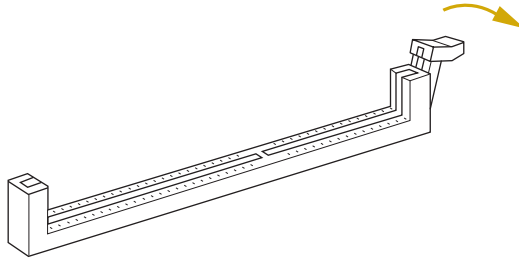
This motherboard provides eight 288-pin DDR4 (Double Data Rate 4) DIMM slots in two groups, and supports Eight Channel Memory Technology.

	CPU1							
	A1	B1	C1	D1	E1	F1	G1	H1
1 DIMM			#					
2 DIMMS			#	#				
4 DIMMS	#	#					#	#
8 DIMMS	#	#	#	#	#	#	#	#

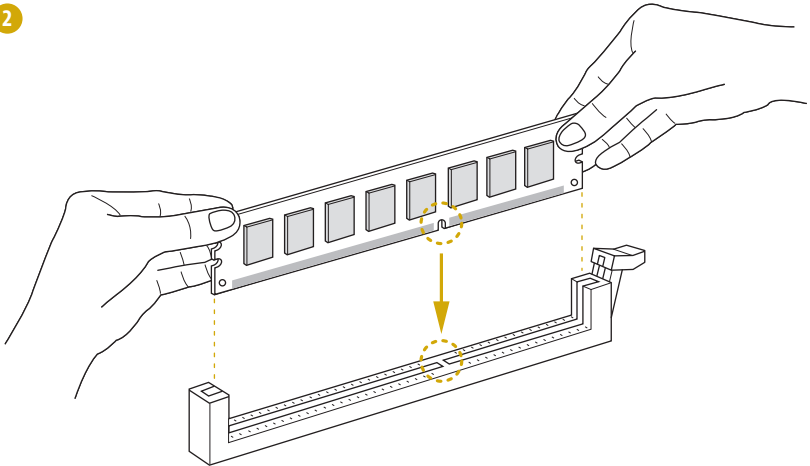


1. It is not allowed to install a DDR, DDR2 or DDR3 memory module into a DDR4 slot; otherwise, this motherboard and DIMM may be damaged.
2. For dual channel configuration, you always need to install identical (the same brand, speed, size and chip-type) DDR4 DIMM pairs.
3. It is unable to activate Dual Channel Memory Technology with only one or three memory module installed.
4. Some DDR4 1GB double-sided DIMMs with 16 chips may not work on this motherboard. It is not recommended to install them on this motherboard.

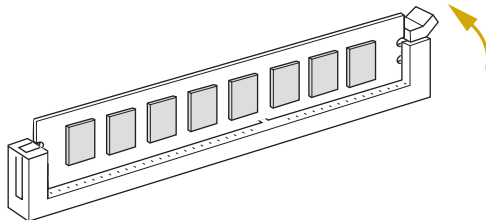
1



2



3



*The DIMM only fits in one correct orientation. It will cause permanent damage to the motherboard and the DIMM if you force the DIMM into the slot at incorrect orientation.*

## 2.5 Expansion Slots (PCI Express Slots)

There are 7 PCI Express slots on this motherboard.

### PCIe slot:

PCIE1 (PCIe 4.0 x16 slot, from CPU) is used for PCI Express x16 lane width cards.

PCIE2 (PCIe 4.0 x16 slot, from CPU) is used for PCI Express x16 lane width cards.\*

PCIE3 (PCIe 4.0 x16 slot, from CPU) is used for PCI Express x16 lane width cards.

PCIE4 (PCIe 4.0 x16 slot, from CPU) is used for PCI Express x16 lane width cards.

PCIE5 (PCIe 4.0 x16 slot, from CPU) is used for PCI Express x16 lane width cards.

PCIE6 (PCIe 4.0 x16 slot, from CPU) is used for PCI Express x16 lane width cards.

PCIE7 (PCIe 4.0 x16 slot, from CPU) is used for PCI Express x16 lane width cards.

*\*PCIE2 slot will be disabled or runs at x8 by jumper settings (PE8\_SEL/PE16\_SEL).*

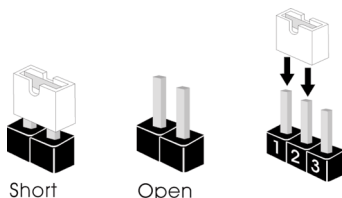
Slot	Generation	Mechanical	Electrical	Source
PCIE7	4.0	x16	x16	CPU
PCIE6	4.0	x16	x16	CPU
PCIE5	4.0	x16	x16	CPU
PCIE4	4.0	x16	x16	CPU
PCIE3	4.0	x16	x16	CPU
PCIE2	4.0	x16	x16	CPU
PCIE1	4.0	x16	x16	CPU

### Installing an expansion card

- Step 1. Before installing an expansion card, please make sure that the power supply is switched off or the power cord is unplugged. Please read the documentation of the expansion card and make necessary hardware settings for the card before you start the installation.
- Step 2. Remove the system unit cover (if your motherboard is already installed in a chassis).
- Step 3. Remove the bracket facing the slot that you intend to use. Keep the screws for later use.
- Step 4. Align the card connector with the slot and press firmly until the card is completely seated on the slot.
- Step 5. Fasten the card to the chassis with screws.
- Step 6. Replace the system cover.

## 2.6 Jumper Setup

The illustration shows how jumpers are setup. When the jumper cap is placed on the pins, the jumper is “Short”. If no jumper cap is placed on the pins, the jumper is “Open”. The illustration shows a 3-pin jumper whose pin1 and pin2 are “Short” when a jumper cap is placed on these 2 pins.



Chassis ID Jumper  
(3-pin CHASSIS\_ID0)  
(see p.6, No. 29)



Board Level SKU (Default)

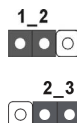


Reserved for system level use

PCIe2 Selection Jumpers  
(3-pin PE8\_SEL)  
(see p.6, No. 27)  
(3-pin PE16\_SEL)  
(see p.6, No. 26)



- PCIe2 runs at x16  
- M2\_1/SATA\_4\_7/OCU1/  
OCU2 Disabled  
(Default)



- PCIe2 runs at x8  
- M2\_1/SATA\_4\_7 Enabled  
- OCU1/OCU2 Disabled

PCIe2 Selection Jumpers  
(3-pin PE8\_SEL)  
(see p.6, No. 27)  
(3-pin PE16\_SEL)  
(see p.6, No. 26)



- PCIe2 Disabled  
- M2\_1/SATA\_4\_7  
Disabled  
- OCU1/OCU2 Enabled



- PCIe2 Disabled  
- M2\_1/SATA\_4\_7/OCU1/  
OCU2 Enabled



---

NVDIMM Power Support  
Jumpers

- (3-pin NV12V\_1)  
(see p.6, No. 6)
- (3-pin NV12V\_2)  
(see p.6, No. 43)
- (3-pin NV12V\_3)  
(see p.6, No. 8)
- (3-pin NV12V\_4)  
(see p.6, No. 42)



No support for NVDIMM  
power (Default)



Support NVDIMM power

---

## 2.7 Onboard Headers and Connectors



Onboard headers and connectors are NOT jumpers. Do NOT place jumper caps over these headers and connectors. Placing jumper caps over the headers and connectors will cause permanent damage to the motherboard.

System Panel Header

**ROMED8-2T/**

**ROMED8-2T/BCM:**

Right Angle:

(9-pin PANEL1)

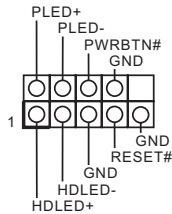
(see p.6, No. 23)

**ROMED8-NL:**

Vertical:

(9-pin PANEL1)

(see p.6, No. 23)



Connect the power switch, reset switch and system status indicator on the chassis to this header according to the pin assignments. Particularly note the positive and negative note the positive and negative pins before connecting the cables.



**PWRBTN (Power Switch):**

Connect to the power switch on the chassis front panel. You may configure the way to turn off your system using the power switch.

**RESET (Reset Switch):**

Connect to the reset switch on the chassis front panel. Press the reset switch to restart the computer if the computer freezes and fails to perform a normal restart.

**PLED (System Power LED):**

Connect to the power status indicator on the chassis front panel. The LED is on when the system is operating. The LED is off when the system is in S4 sleep state or powered off (S5).

**HDLED (Hard Drive Activity LED):**

Connect to the hard drive activity LED on the chassis front panel. The LED is on when the hard drive is reading or writing data.

The front panel design may differ by chassis. A front panel module mainly consists of power switch, reset switch, power LED, hard drive activity LED, speaker and etc. When connecting your chassis front panel module to this header, make sure the wire assignments and the pin assignments are matched correctly.

**Auxiliary Panel Header**

**ROMED8-2T/  
ROMED8-2T/BCM:**

Right Angle:

(18-pin AUX PANEL1)

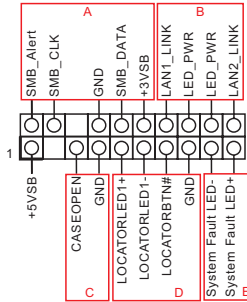
(see p.6, No. 24)

**ROMED8-NL:**

Vertical:

(18-pin AUX PANEL1)

(see p.6, No. 24)



This header supports multiple functions on the front panel, including the front panel SMB, internet status indicator and chassis intrusion pin.



**A. Front panel SMBus connecting pin (6-1 pin FPSMB)**

This header allows you to connect SMBus (System Management Bus) equipment. It can be used for communication between peripheral equipment in the system, which has slower transmission rates, and power management equipment.

**B. Internet status indicator (2-pin LAN1\_LED, LAN2\_LED)**

These two 2-pin headers allow you to use the Gigabit internet indicator cable to connect to the LAN status indicator. When this indicator flickers, it means that the internet is properly connected.

**C. Chassis intrusion pin (2-pin CHASSIS)**

This header is provided for host computer chassis with chassis intrusion detection designs. In addition, it must also work with external detection equipment, such as a chassis intrusion detection sensor or a microswitch. When this function is activated, if any chassis component movement occurs, the sensor will immediately detect it and send a signal to this header, and the system will then record this chassis intrusion event. The default setting is set to the CASEOPEN and GND pin; this function is off.

**D. Locator LED (4-pin LOCATOR)**

This header is for the locator switch and LED on the front panel.

**E. System Fault LED (2-pin LOCATOR)**

This header is for the Fault LED on the system.

**Mini-SAS HD Connectors**

(SATA\_0\_3)

(see p.6, No. 15)

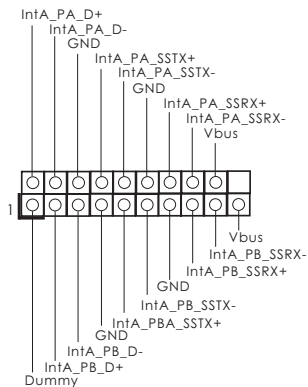
(SATA\_4\_7)

(see p.6, No. 16)



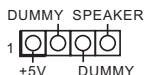
These connectors support MiniSAS-to-SATA data cables for internal storage devices with up to 6.0 Gb/s data transfer rate.

USB 3.2 Gen1 Header  
(19-pin USB3\_3\_4)  
(see p.6, No. 5)



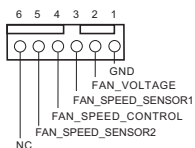
Besides two default USB 3.2 Gen1 ports on the I/O panel, there is one USB 3.2 Gen1 header on this motherboard. This USB 3.2 Gen1 header can support two USB 3.2 Gen1 ports.

Chassis Speaker Header  
(4-pin SPEAKER1)  
(see p.6, No. 22)



Please connect the chassis speaker to this header.

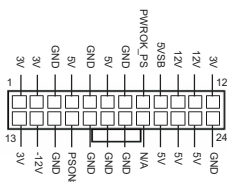
System Fan Connectors  
(6-pin FAN1)  
(see p.6, No. 7)  
(6-pin FAN2)  
(see p.6, No. 9)



Please connect fan cables to the fan connectors and match the black wire to the ground pin. All fans support Fan Control.

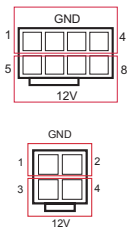
(6-pin FAN3)  
(see p.6, No. 11)  
(6-pin FAN4)  
(see p.6, No. 17)  
(6-pin FAN5)  
(see p.6, No. 18)  
(6-pin FAN6)  
(see p.6, No. 19)  
(6-pin FAN7)  
(see p.6, No. 20)

ATX Power Connector  
(24-pin ATXPWR1)  
(see p.6, No. 4)



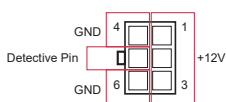
This motherboard provides a 24-pin ATX power connector. To use a 20-pin ATX power supply, please plug it along Pin 1 and Pin 13.

ATX 12V Power  
Connectors  
(8-pin ATX12V1)  
(see p.6, No. 2)  
(4-pin ATX12V2)  
(see p.6, No. 3)



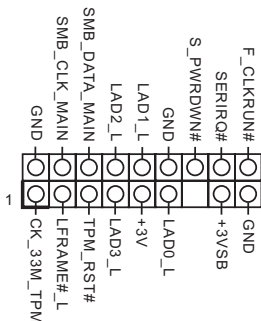
This motherboard provides one 8-pin and one 4-pin ATX 12V power connectors.

Graphics 12V Power  
Connector  
(6-pin GFX\_12V1)  
(see p.6, No. 21)



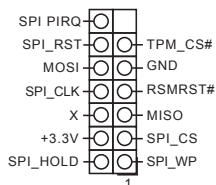
This motherboard provides a 6-pin Graphics 12V power connector.  
\* Install the PSU's power cable to this connector when 4 graphics cards are installed.

TPM Header  
(17-pin TPM1)  
(see p.6, No. 30)



This connector supports Trusted Platform Module (TPM) system, which can securely store keys, digital certificates, passwords, and data. A TPM system also helps enhance network security, protects digital identities, and ensures platform integrity.

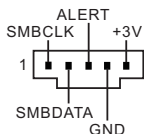
TPM-SPI Header  
(13-pin TPM\_BIOS\_PH1)  
(see p.6, No. 39)



This connector supports Trusted Platform Module (TPM) system for SPI interface, which can securely store keys, digital certificates, passwords, and data. A TPM system also helps enhance network security, protects digital identities, and ensures platform integrity.

---

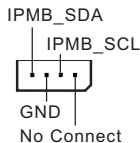
PSU SMBus Header  
(5-pin PSU\_SMB1)  
(see p.6, No. 1)



PSU SMBus monitors the status of the power supply, fan and system temperature.

---

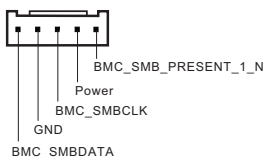
Intelligent Platform  
Management Bus Header  
(4-pin IPMB1)  
(see p.6, No. 33)



This 4-pin connector is used to provide a cabled base-board or front panel connection for value added features and 3rd-party add-in cards, such as Emergency Management cards, that provide management features using the IPMB.

---

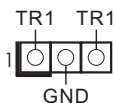
Baseboard Management  
Controller SMBus Header  
(5-pin BMC\_SMB1)  
(see p.6, No. 32)



The header is used for the SM BUS devices.

---

Thermal Sensor Headers  
(3-pin TR1)  
(see p.6, No. 28)  
(3-pin TR2)  
(see p.6, No. 31)



Please connect the thermal sensor cable to either pin 1-2 or pin 2-3 and the other end to the device which you wish to monitor its temperature.

---

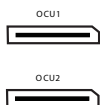
Non Maskable Interrupt  
Button Header  
(NMI\_BTN1)  
(see p.6, No. 35)



Please connect a NMI device to this header.

---

OCuLink Connectors  
(OCU1)  
(see p.6, No. 10)  
(OCU2)  
(see p.6, No. 12)



Please connect PCIE SSDs to these connectors.

Clear CMOS Pad  
 (CLRMOS1)  
 (see p.6, No. 25)



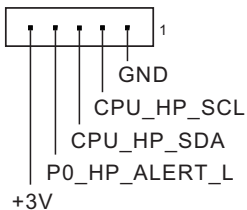
This allows you to clear the data in CMOS. To clear CMOS, take out the CMOS battery and short the Clear CMOS Pad.

Front Panel Type C USB  
 3.2 Gen2 Header  
 (20-pin USB31\_TC\_2)  
 (see p.6, No. 36)  
*(ROMED8-2T only)*



There is one Front Panel Type C USB 3.2 Gen2 Header on this motherboard. This header is used for connecting a USB 3.2 Gen2 module for an additional USB 3.2 Gen2 port.

CPU HP-SMBus Connector  
 (5-pin CPU1\_HSBP1)  
 (see p.6, No. 34)



This header is used for the hot plug feature of HDDs on the backplane.

## 2.8 Dr. Debug

Dr. Debug is used to provide code information, which makes troubleshooting even easier. Please see the diagrams below for reading the Dr. Debug codes.

Code	Description
0x10	PEI_CORE_STARTED
0x11	PEI_CAR_CPU_INIT
0x15	PEI_CAR_NB_INIT
0x19	PEI_CAR_SB_INIT
0x31	PEI_MEMORY_INSTALLED
0x32	PEI_CPU_INIT
0x33	PEI_CPU_CACHE_INIT
0x34	PEI_CPU_AP_INIT
0x35	PEI_CPU_BSP_SELECT
0x36	PEI_CPU_SMM_INIT
0x37	PEI_MEM_NB_INIT
0x3B	PEI_MEM_SB_INIT
0x4F	PEI_DXE_IPL_STARTED
0x60	DXE_CORE_STARTED
0x61	DXE_NVRAM_INIT
0x62	DXE_SBRUN_INIT



0x63	DXE_CPU_INIT
0x68	DXE_NB_HB_INIT
0x69	DXE_NB_INIT
0x6A	DXE_NB_SMM_INIT
0x70	DXE_SB_INIT
0x71	DXE_SB_SMM_INIT
0x72	DXE_SB_DEVICES_INIT
0x78	DXE_ACPI_INIT
0x79	DXE_CSM_INIT
0x90	DXE_BDS_STARTED
0x91	DXE_BDS_CONNECT_DRIVERS
0x92	DXE_PCI_BUS_BEGIN
0x93	DXE_PCI_BUS_HPC_INIT
0x94	DXE_PCI_BUS_ENUM
0x95	DXE_PCI_BUS_REQUEST_RESOURCES
0x96	DXE_PCI_BUS_ASSIGN_RESOURCES
0x97	DXE_CON_OUT_CONNECT
0x98	DXE_CON_IN_CONNECT

0x99	DXE_SIO_INIT
0x9A	DXE_USB_BEGIN
0x9B	DXE_USB_RESET
0x9C	DXE_USB_DETECT
0x9D	DXE_USB_ENABLE
0xA0	DXE_IDE_BEGIN
0xA1	DXE_IDE_RESET
0xA2	DXE_IDE_DETECT
0xA3	DXE_IDE_ENABLE
0xA4	DXE_SCSI_BEGIN
0xA5	DXE_SCSI_RESET
0xA6	DXE_SCSI_DETECT
0xA7	DXE_SCSI_ENABLE
0xA8	DXE_SETUP_VERIFYING_PASSWORD
0xA9	DXE_SETUP_START
0xAB	DXE_SETUP_INPUT_WAIT
0xAD	DXE_READY_TO_BOOT
0xAE	DXE_LEGACY_BOOT

0xAF	DXE_EXIT_BOOT_SERVICES
0xB0	RT_SET_VIRTUAL_ADDRESS_MAP_BEGIN
0xB1	RT_SET_VIRTUAL_ADDRESS_MAP_END
0xB2	DXE_LEGACY_OPROM_INIT
0xB3	DXE_RESET_SYSTEM
0xB4	DXE_USB_HOTPLUG
0xB5	DXE_PCI_BUS_HOTPLUG
0xB6	DXE_NVRAM_CLEANUP
0xB7	DXE_CONFIGURATION_RESET
0xF0	PEI_RECOVERY_AUTO
0xF1	PEI_RECOVERY_USER
0xF2	PEI_RECOVERY_STARTED
0xF3	PEI_RECOVERY_CAPSULE_FOUND
0xF4	PEI_RECOVERY_CAPSULE_LOADED
0xE0	PEI_S3_STARTED
0xE1	PEI_S3_BOOT_SCRIPT
0xE2	PEI_S3_VIDEO_REPOST

0xE3	PEI_S3_OS_WAKE
0x50	PEI_MEMORY_INVALID_TYPE
0x53	PEI_MEMORY_NOT_DETECTED
0x55	PEI_MEMORY_NOT_INSTALLED
0x57	PEI_CPU_MISMATCH
0x58	PEI_CPU_SELF_TEST_FAILED
0x59	PEI_CPU_NO_MICROCODE
0x5A	PEI_CPU_ERROR
0x5B	PEI_RESET_NOT_AVAILABLE
0xD0	DXE_CPU_ERROR
0xD1	DXE_NB_ERROR
0xD2	DXE_SB_ERROR
0xD3	DXE_ARCH_PROTOCOL_NOT_AVAILABLE
0xD4	DXE_PCI_BUS_OUT_OF_RESOURCES
0xD5	DXE_LEGACY_OPROM_NO_SPACE
0xD6	DXE_NO_CON_OUT
0xD7	DXE_NO_CON_IN

0xD8	DXE_INVALID_PASSWORD
0xD9	DXE_BOOT_OPTION_LOAD_ERROR
0xDA	DXE_BOOT_OPTION_FAILED
0xDB	DXE_FLASH_UPDATE_FAILED
0xDC	DXE_RESET_NOT_AVAILABLE
0xE8	PEI_MEMORY_S3_RESUME_FAILED
0xE9	PEI_S3_RESUME_PPI_NOT_FOUND
0xEA	PEI_S3_BOOT_SCRIPT_ERROR
0xEB	PEI_S3_OS_WAKE_ERROR

## 2.9 Unit Identification purpose LED/Switch

With the UID button, You are able to locate the server you're working on from behind a rack of servers.

Unit Identification  
purpose LED/Switch  
(UID1)



When the UID button on the front or rear panel is pressed, the front/rear UID blue LED indicator will be turned on. Press the UID button again to turn off the indicator.

## 2.10 Dual LAN and Teaming Operation Guide *(ROMED8-2T only)*

Dual LAN with Teaming enabled on this motherboard allows two single connections to act as one single connection for twice the transmission bandwidth, making data transmission more effective and improving the quality of transmission of distant images. Fault tolerance on the dual LAN network prevents network downtime by transferring the workload from a failed port to a working port.



*The speed of transmission is subject to the actual network environment or status even with Teaming enabled.*

Before setting up Teaming, please make sure whether your Switch (or Router) supports Teaming (IEEE 802.3ad Link Aggregation). You can specify a preferred adapter in Intel PROSet. Under normal conditions, the Primary adapter handles all non-TCP/IP traffic. The Secondary adapter will receive fallback traffic if the primary fails. If the Preferred Primary adapter fails, but is later restored to an active status, control is automatically switched back to the Preferred Primary adapter.

### **Step 1**

From **Device Manager**, open the properties of a team.

### **Step 2**

Click the **Settings** tab.

### **Step 3**

Click the **Modify Team** button.

### **Step 4**

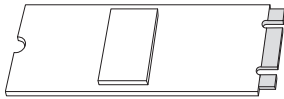
Select the adapter you want to be the primary adapter and click the **Set Primary** button.

If you do not specify a preferred primary adapter, the software will choose an adapter of the highest capability (model and speed) to act as the default primary. If a failover occurs, another adapter becomes the primary. The adapter will, however, rejoin the team as a non-primary.

## 2.11 M.2 SSD Module Installation Guide

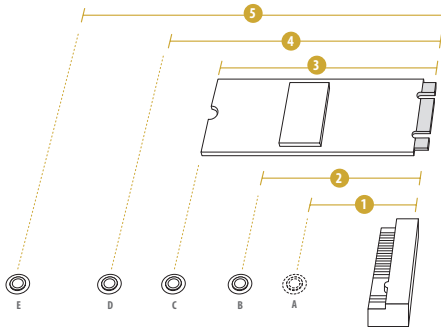
The M.2 Socket (M2\_1/M2\_2, Key M) supports a M.2 SATA3 6.0 Gb/s module or a M.2 PCI Express module up to Gen4 x4 (16GT/s x4).

### Installing the M.2 SSD Module



#### Step 1

Prepare a M.2 SSD module and the screw.



#### Step 2

Depending on the PCB type and length of your M.2 SSD module, find the corresponding nut location to be used.

#### M2\_1 :

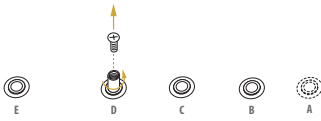
No.	1	2	3	4
Nut Location	A	B	C	D
PCB Length	3cm	4.2cm	6cm	8cm
Module Type	Type2230	Type 2242	Type2260	Type 2280

#### M2\_2 :

No.	1	2	3	4	5
Nut Location	A	B	C	D	E
PCB Length	3cm	4.2cm	6cm	8cm	11cm
Module Type	Type2230	Type 2242	Type2260	Type 2280	Type 22110



**Step 3**



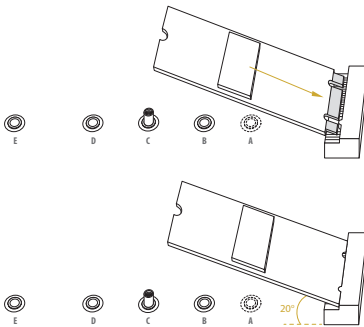
Move the standoff based on the module type and length. The standoff is placed at the nut location D by default. Skip Step 3 and 4 and go straight to Step 5 if you are going to use the default nut. Otherwise, release the standoff by hand.

**Step 4**



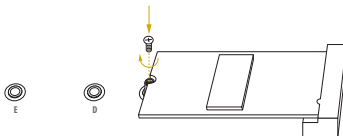
Peel off the yellow protective film on the nut to be used. Hand tighten the standoff into the desired nut location on the motherboard.

**Step 5**



Gently insert the M.2 SSD module into the M.2 slot. Please be aware that the M.2 SSD module only fits in one orientation.

**Step 6**



Tighten the screw with a screwdriver to secure the module into place. Please do not overtighten the screw as this might damage the module.

# Chapter 3 UEFI Setup Utility

## 3.1 Introduction

This section explains how to use the UEFI SETUP UTILITY to configure your system. The UEFI chip on the motherboard stores the UEFI SETUP UTILITY. You may run the UEFI SETUP UTILITY when you start up the computer. Please press <F2> or <Del> during the Power-On-Self-Test (POST) to enter the UEFI SETUP UTILITY; otherwise, POST will continue with its test routines.

If you wish to enter the UEFI SETUP UTILITY after POST, restart the system by pressing <Ctrl> + <Alt> + <Delete>, or by pressing the reset button on the system chassis. You may also restart by turning the system off and then back on.



*Because the UEFI software is constantly being updated, the following UEFI setup screens and descriptions are for reference purpose only, and they may not exactly match what you see on your screen.*

### 3.1.1 UEFI Menu Bar

The top of the screen has a menu bar with the following selections:

Item	Description
Main	To set up the system time/date information
Advanced	To set up the advanced UEFI features
Server Mgmt	To manage the server
Security	To set up the security features
Boot	To set up the default system device to locate and load the Operating System
Event Logs	For event log configuration
Exit	To exit the current screen or the UEFI SETUP UTILITY

Use <←→> key or <→> key to choose among the selections on the menu bar, and then press <Enter> to get into the sub screen.

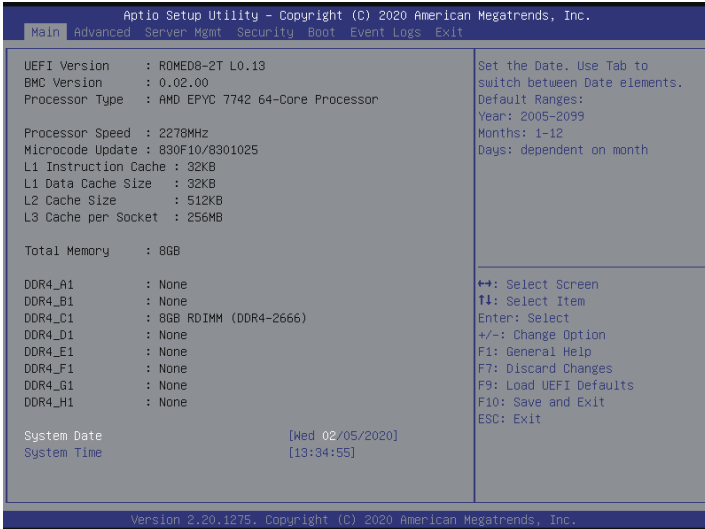
### 3.1.2 Navigation Keys

Please check the following table for the function description of each navigation key.

Navigation Key(s)	Function Description
← / →	Moves cursor left or right to select Screens
↑ / ↓	Moves cursor up or down to select items
+ / -	To change option for the selected items
<Tab>	Switch to next function
<Enter>	To bring up the selected screen
<PGUP>	Go to the previous page
<PGDN>	Go to the next page
<HOME>	Go to the top of the screen
<END>	Go to the bottom of the screen
<F1>	To display the General Help Screen
<F7>	Discard changes and exit the UEFI SETUP UTILITY
<F9>	Load optimal default values for all the settings
<F10>	Save changes and exit the UEFI SETUP UTILITY
<F12>	Print screen
<ESC>	Jump to the Exit Screen or exit the current screen

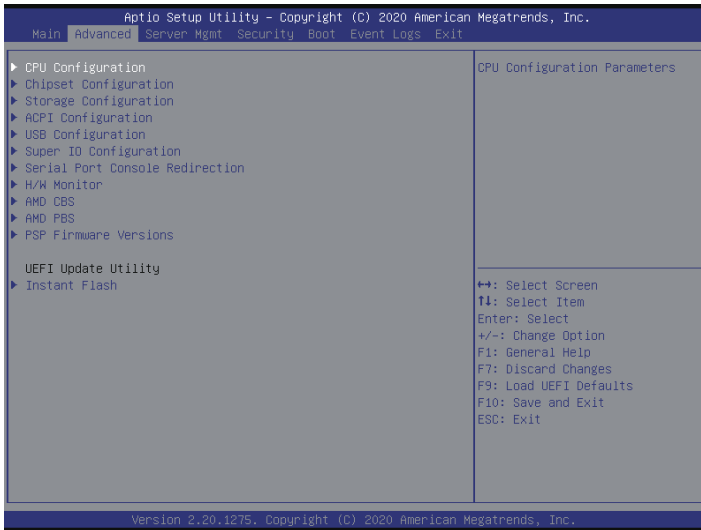
## 3.2 Main Screen

Once you enter the UEFI SETUP UTILITY, the Main screen will appear and display the system overview. The Main screen provides system overview information and allows you to set the system time and date.



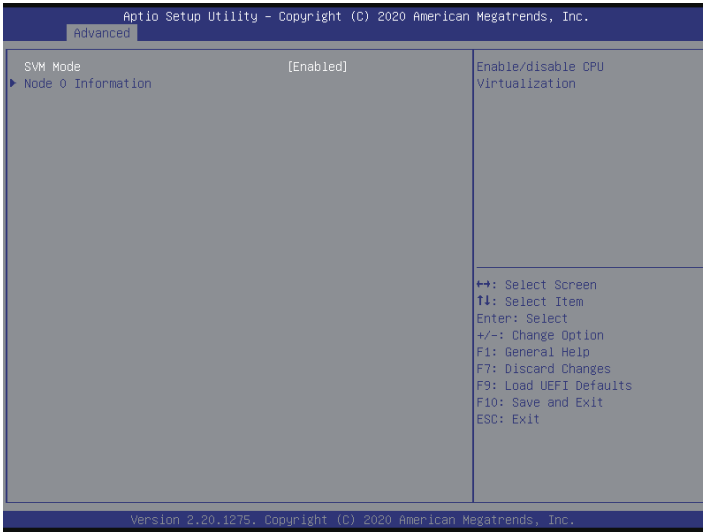
### 3.3 Advanced Screen

In this section, you may set the configurations for the following items: CPU Configuration, Chipset Configuration, Storage Configuration, ACPI Configuration, USB Configuration, Super IO Configuration, Serial Port Console Redirection, H/W Monitor, AMD CBS, AMD PBS, PSP Firmware Versions and Instant Flash.



*Setting wrong values in this section may cause the system to malfunction.*

### 3.3.1 CPU Configuration



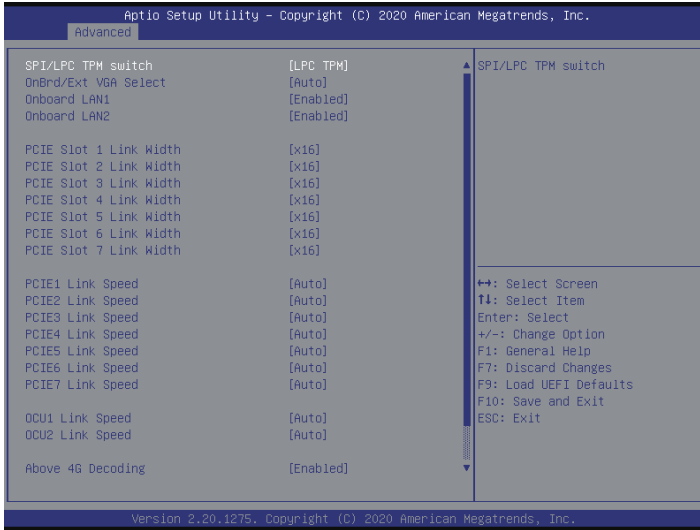
#### SVM Mode

Enable or disable CPU Virtualization.

#### Node 0 Information

View Memory Information related to Node 0.

### 3.3.2 Chipset Configuration



#### SPI/LPC TPM Switch

Use this item to switch SPI/LPC TPM.

#### OnBrd/Ext VGA Select

Select between onboard or external VGA support.

#### Onboard LAN1 *(ROMED8-2T only)*

This allows you to enable or disable the Onboard LAN1 feature.

#### Onboard LAN2 *(ROMED8-2T only)*

This allows you to enable or disable the Onboard LAN2 feature.

#### PCIE Slot 1 Link Width

This allows you to select PCIE1 Link Width. The default value is [x16].

#### PCIE Slot 2 Link Width

This allows you to select PCIE2 Link Width. The default value is [x16].

#### PCIE Slot 3 Link Width

This allows you to select PCIE3 Link Width. The default value is [x16].

### PCIE Slot 4 Link Width

This allows you to select PCIE4 Link Width. The default value is [x16].

### PCIE Slot 5 Link Width

This allows you to select PCIE5 Link Width. The default value is [x16].

### PCIE Slot 6 Link Width

This allows you to select PCIE6 Link Width. The default value is [x16].

### PCIE Slot 7 Link Width

This allows you to select PCIE7 Link Width. The default value is [x16].

### PCIE1 Link Speed

This allows you to select PCIE1 Link Speed. The default value is [Auto].

### PCIE2 Link Speed

This allows you to select PCIE2 Link Speed. The default value is [Auto].

### PCIE3 Link Speed

This allows you to select PCIE3 Link Speed. The default value is [Auto].

### PCIE4 Link Speed

This allows you to select PCIE4 Link Speed. The default value is [Auto].

### PCIE5 Link Speed

This allows you to select PCIE5 Link Speed. The default value is [Auto].

### PCIE6 Link Speed

This allows you to select PCIE6 Link Speed. The default value is [Auto].

### PCIE7 Link Speed

This allows you to select PCIE7 Link Speed. The default value is [Auto].

### OCU1 Link Speed

This allows you to select OCU1 Link Speed. The default value is [Auto].

### OCU2 Link Speed

This allows you to select OCU2 Link Speed. The default value is [Auto].

### Above 4G Decoding

Enable or disable 64bit capable Devices to be decoded in Above 4G Address Space (only if the system supports 64 bit PCI decoding)



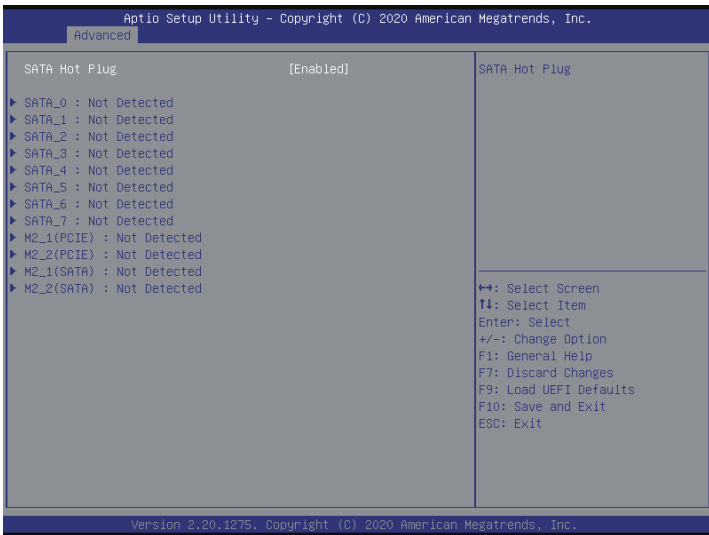
## SR-IOV Support

If system has SR-IOV capable PCIe Devices, this option Enables or Disables Single Root IO Virtualization Support.

## Restore AC Power Loss

This allows you to set the power state after a power failure. If [Power Off] is selected, the power will remain off when the power recovers. If [Power On] is selected, the system will start to boot up when the power recovers.

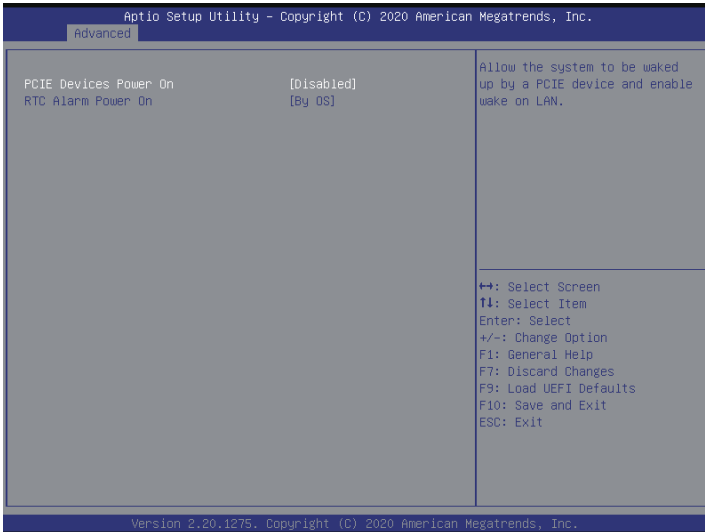
### 3.3.3 Storage Configuration



#### SATA Hot Plug

Enable/disable the SATA Hot Plug Function.

### 3.3.4 ACPI Configuration



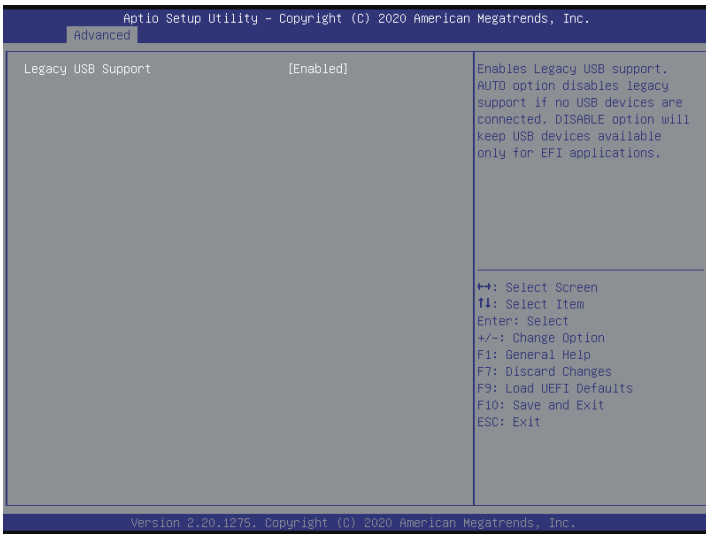
#### PCIE Devices Power On

Allow the system to be waked up by a PCIE device and enable wake on LAN.

#### RTC Alarm Power On

Use this item to enable or disable RTC (Real Time Clock) to power on the system.

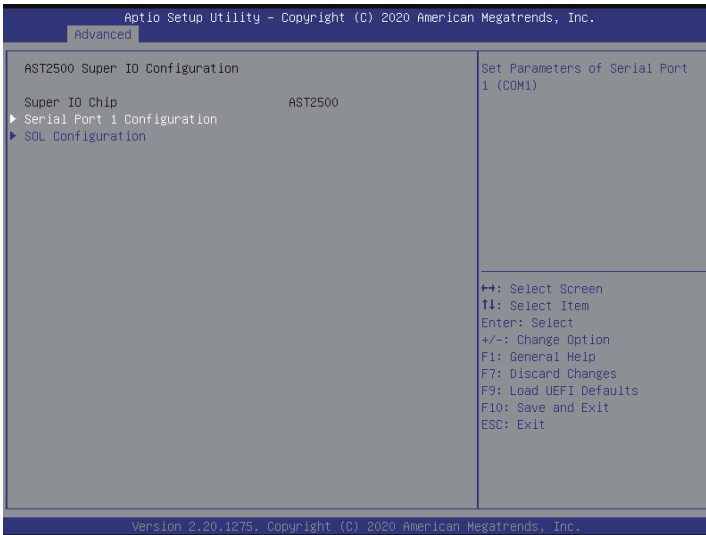
### 3.3.5 USB Configuration



#### Legacy USB Support

Use this option to enable or disable legacy support for USB devices. The default value is [Enabled].

### 3.3.6 Super IO Configuration



#### Serial Port 1 Configuration

Use this item to set parameters of Serial Port 1 (COM1).

#### Serial Port

Use this item to enable or disable the serial port.

#### Change Settings

Use this item to select an optimal setting for Super IO device.

#### SOL Configuration

Use this item to set parameters of SOL.

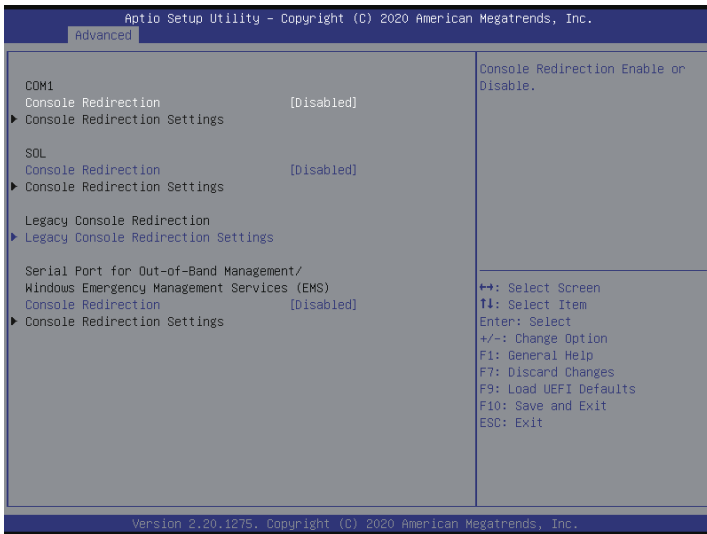
#### SOL Port

Use this item to set parameters of SOL.

#### Change Settings

Use this item to select an optimal setting for Super IO device.

## 3.3.7 Serial Port Console Redirection



### COM1 / SOL

#### Console Redirection

Use this option to enable or disable Console Redirection. If this item is set to Enabled, you can select a COM Port to be used for Console Redirection.

#### Console Redirection Settings

Use this option to configure Console Redirection Settings, and specify how your computer and the host computer to which you are connected exchange information. Both computers should have the same or compatible settings.

#### Terminal Type

Use this item to select the preferred terminal emulation type for out-of-band management. It is recommended to select [VT-UTF8].

Option	Description
VT100	ASCII character set
VT100+	Extended VT100 that supports color and function keys
VT-UTF8	UTF8 encoding is used to map Unicode chars onto 1 or more bytes
ANSI	Extended ASCII character set

**Bits Per Second**

Use this item to select the serial port transmission speed. The speed used in the host computer and the client computer must be the same. Long or noisy lines may require lower transmission speed. The options include [9600], [19200], [38400], [57600] and [115200].

**Data Bits**

Use this item to set the data transmission size. The options include [7] and [8] (Bits).

**Parity**

Use this item to select the parity bit. The options include [None], [Even], [Odd], [Mark] and [Space].

**Stop Bits**

The item indicates the end of a serial data packet. The standard setting is [1] Stop Bit. Select [2] Stop Bits for slower devices.

**Flow Control**

Use this item to set the flow control to prevent data loss from buffer overflow. When sending data, if the receiving buffers are full, a "stop" signal can be sent to stop the data flow. Once the buffers are empty, a "start" signal can be sent to restart the flow. Hardware flow uses two wires to send start/stop signals. The options include [None] and [Hardware RTS/CTS].

**VT-UTF8 Combo Key Support**

Use this item to enable or disable the VT-UTF8 Combo Key Support for ANSI/VT100 terminals.

**Recorder Mode**

Use this item to enable or disable Recorder Mode to capture terminal data and send it as text messages.

**Resolution 100x31**

Use this item to enable or disable extended terminal resolution support.

**Putty Keypad**

Use this item to select Function Key and Keypad on Putty.

**Legacy Console Redirection****Legacy Console Redirection Settings**

Use this option to configure Legacy Console Redirection Settings, and specify how your computer and the host computer to which you are connected exchange information.

**Redirection COM Port**

Select a COM port to display redirection of Legacy OS and Legacy OPROM Messages.

**Resolution**

On Legacy OS, the Number of Rows and Columns supported redirection.

## Redirect After POST

When Bootloader is selected, then Legacy Console Redirection is disabled before booting to legacy OS. When Always Enable is selected, then Legacy Console Redirection is enabled for legacy OS. Default setting for this option is set to Always Enable.

## Serial Port for Out-of-Band Management/Windows Emergency Management Services (EMS)

### Console Redirection

Use this option to enable or disable Console Redirection. If this item is set to Enabled, you can select a COM Port to be used for Console Redirection.

### Console Redirection Settings

Use this option to configure Console Redirection Settings, and specify how your computer and the host computer to which you are connected exchange information.

### Out-of-Band Mgmt Port

Microsoft Windows Emergency Management Services (EMS) allows for remote management of a Windows Server OS through a serial port.

### Terminal Type

Use this item to select the preferred terminal emulation type for out-of-band management. It is recommended to select [VT-UTF8].

Option	Description
VT100	ASCII character set
VT100+	Extended VT100 that supports color and function keys
VT-UTF8	UTF8 encoding is used to map Unicode chars onto 1 or more bytes
ANSI	Extended ASCII character set

### Bits Per Second

Use this item to select the serial port transmission speed. The speed used in the host computer and the client computer must be the same. Long or noisy lines may require lower transmission speed. The options include [9600], [19200], [57600] and [115200].

### Flow Control

Use this item to set the flow control to prevent data loss from buffer overflow. When sending data, if the receiving buffers are full, a "stop" signal can be sent to stop the data flow. Once the buffers are empty, a "start" signal can be sent to restart the flow. Hardware flow uses two wires to send start/stop signals. The options include [None], [Hardware RTS/CTS], and [Software Xon/Xoff].

### Data Bits

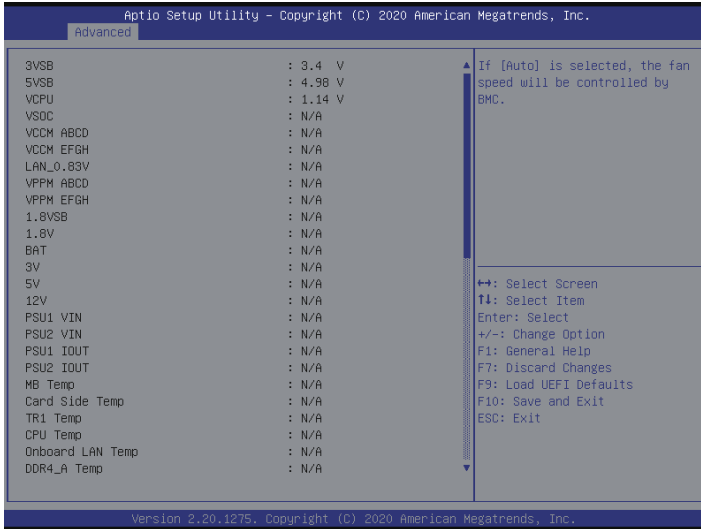
### Parity

### Stop Bits



### 3.3.8 H/W Monitor

In this section, it allows you to monitor the status of the hardware on your system, including the parameters of the CPU temperature, motherboard temperature, CPU fan speed, chassis fan speed, and the critical voltage.



#### Fan Control

If [Auto] is selected, the fan speed will controlled by BMC.

If [Manual] is selected, configure the items below.

#### Watch Dog Timer

This allows you to enable or disable the Watch Dog Timer. The default value is [Disabled].

#### FAN 1

This allows you to set the fan 1's speed. The default value is [Smart Fan].

#### FAN 2

This allows you to set the fan 2's speed. The default value is [Smart Fan].

#### FAN 3

This allows you to set the fan 3's speed. The default value is [Smart Fan].

#### FAN 4

This allows you to set the fan 4's speed. The default value is [Smart Fan].

## **FAN 5**

This allows you to set the fan 5's speed. The default value is [Smart Fan].

## **FAN 6**

This allows you to set the fan 6's speed. The default value is [Smart Fan].

## **FAN 7**

This allows you to set the fan 7's speed. The default value is [Smart Fan].

## **Smart Fan Control**

This allows you to set the Smart fan's level speed.

### **Smart Fan Duty Control**

Smart Fan Duty x (x means 1 to 11 stage)

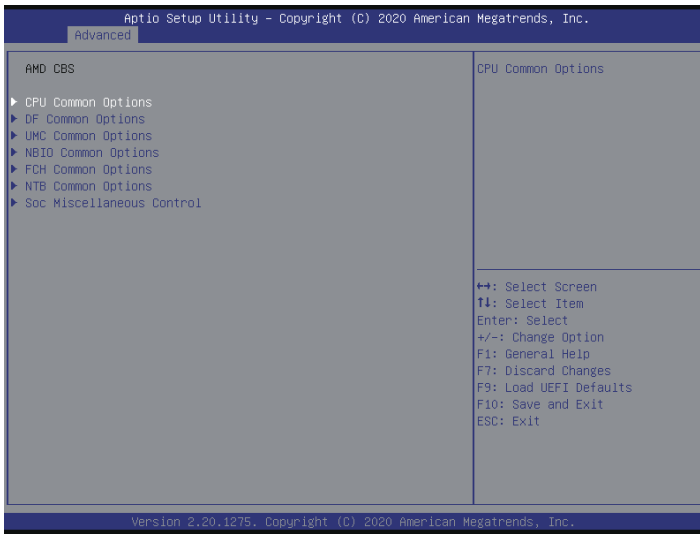
This allows you to set duty cycle for each stage.

### **Smart Fan Temp Control**

Smart Fan Temp x (x means 1 to 11 stage)

This allows you to set temperature for each stage.

### 3.3.9 AMD CBS



#### CPU Common Options

Use this item to configure CPU Common options.

#### DF Common Options

Use this item to configure DF Common options.

#### UMC Common Options

Use this item to configure UMC Common options.

#### NBIO Common Options

Use this item to configure NBIO Common options.

#### FCH Common Options

Use this item to configure FCH Common options.

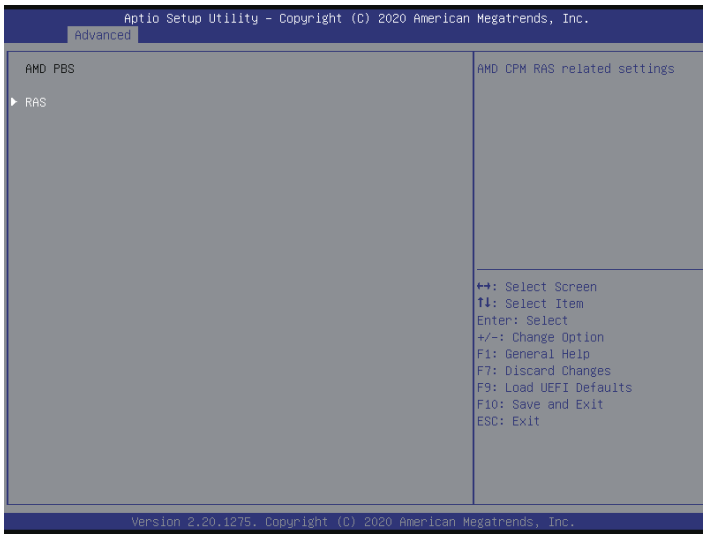
#### NTB Common Options

Use this item to configure NTB Common options.

#### Soc Miscellaneous Control

Use this item to configure Soc Miscellaneous Control options.

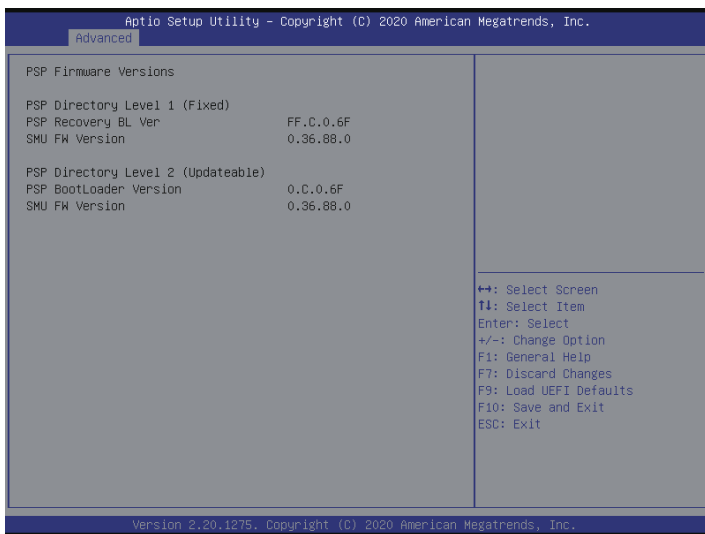
### 3.3.10 AMD PBS



#### RAS

Use this item to configure AMD CPM RAS related settings.

### 3.3.11 PSP Firmware Versions

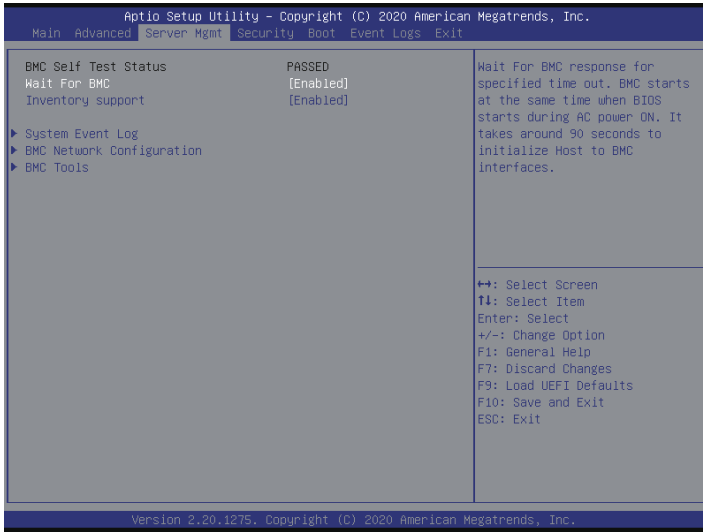


The PSP Firmware Versions displays the version information of PSP Recovery BL, PSP BootLoader, SMU FW, ABL, APCB, APDB, and APPB.

### 3.3.12 Instant Flash

Instant Flash is a UEFI flash utility embedded in Flash ROM. This convenient UEFI update tool allows you to update system UEFI without entering operating systems first like MS-DOS or Windows. Just save the new UEFI file to your USB flash drive, floppy disk or hard drive and launch this tool, then you can update your UEFI only in a few clicks without preparing an additional floppy diskette or other complicated flash utility. Please be noted that the USB flash drive or hard drive must use FAT32/16/12 file system. If you execute Instant Flash utility, the utility will show the UEFI files and their respective information. Select the proper UEFI file to update your UEFI, and reboot your system after the UEFI update process is completed.

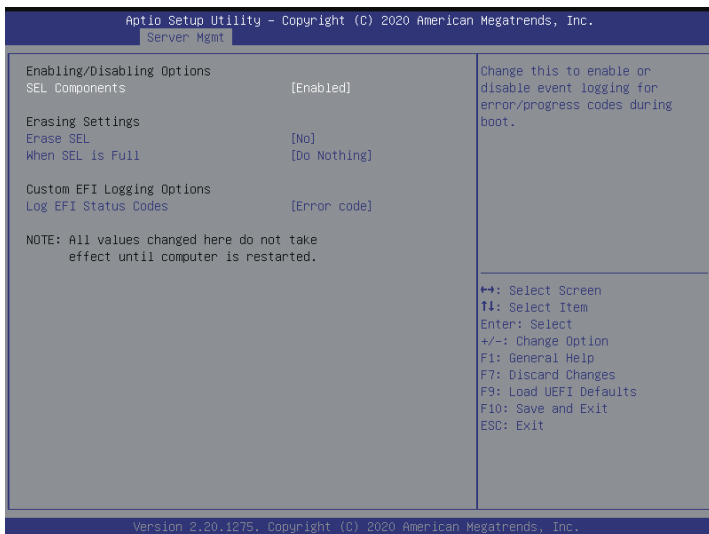
### 3.4 Server Mgmt



#### Wait For BMC

Wait For BMC response for specified time out. BMC starts at the same time when BIOS starts during AC power ON. It takes around 90 seconds to initialize Host to BMC interfaces.

## 3.4.1 System Event Log



### SEL Components

Change this to enable or disable event logging for error/progress codes during boot.

### Erase SEL

Use this to choose options for erasing SEL.

### When SEL is Full

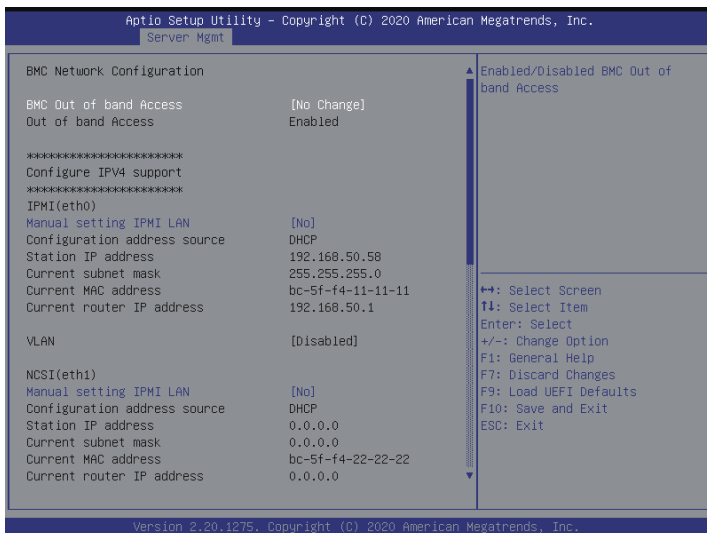
Use this to choose options for reactions to a full SEL.

### Log EFI Status Codes

Use this item to disable the logging of EFI Status Codes or log only error code or only progress code or both.



## 3.4.2 BMC Network Configuration



### Lan Channel (Failover)

#### Manual Setting IPMI LAN

If [No] is selected, the IP address is assigned by DHCP. If you prefer using a static IP address, toggle to [Yes], and the changes take effect after the system reboots. The default value is [No].

#### Configuration Address Source

Select to configure BMC network parameters statically or dynamically (by BIOS or BMC). Configuration options: [Static] and [DHCP].

**Static:** Manually enter the IP Address, Subnet Mask and Gateway Address in the BIOS for BMC LAN channel configuration.

**DHCP:** IP address, Subnet Mask and Gateway Address are automatically assigned by the network's DHCP server.



When [DHCP] or [Static] is selected, do NOT modify the BMC network settings on the IPMI web page.



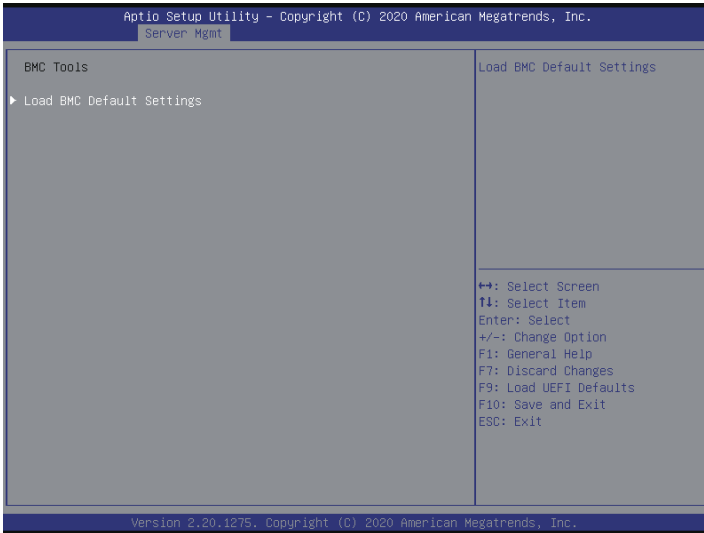
*The default login information for the IPMI web interface is:*

*Username: admin*

*Password: admin*

*For more instructions on how to set up remote control environment and use the IPMI management platform, please refer to the IPMI Configuration User Guide or go to the Support website at: <http://www.asrockrack.com/support/ipmi.asp>*

## 3.4.2 BMC Tools

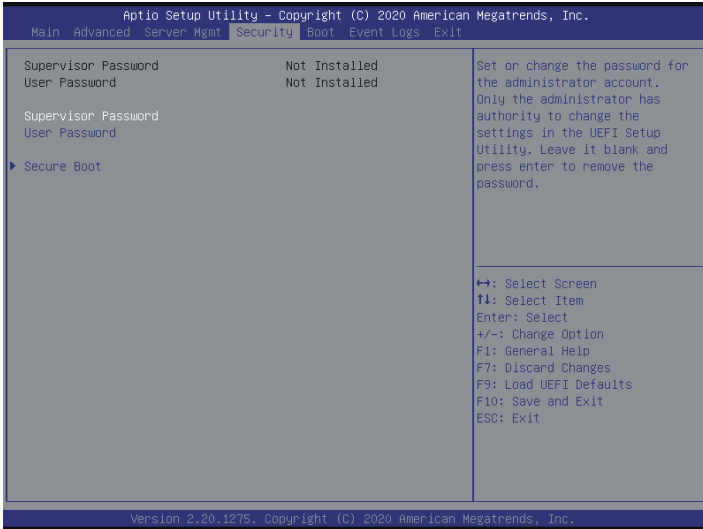


### Load BMC Default Settings

Use this item to Load BMC Default Settings.

## 3.5 Security

In this section, you may set or change the supervisor/user password for the system. For the user password, you may also clear it.



### Supervisor Password

Set or change the password for the administrator account. Only the administrator has authority to change the settings in the UEFI Setup Utility. Leave it blank and press enter to remove the password.

### User Password

Set or change the password for the user account. Users are unable to change the settings in the UEFI Setup Utility. Leave it blank and press enter to remove the password.

### Secure Boot

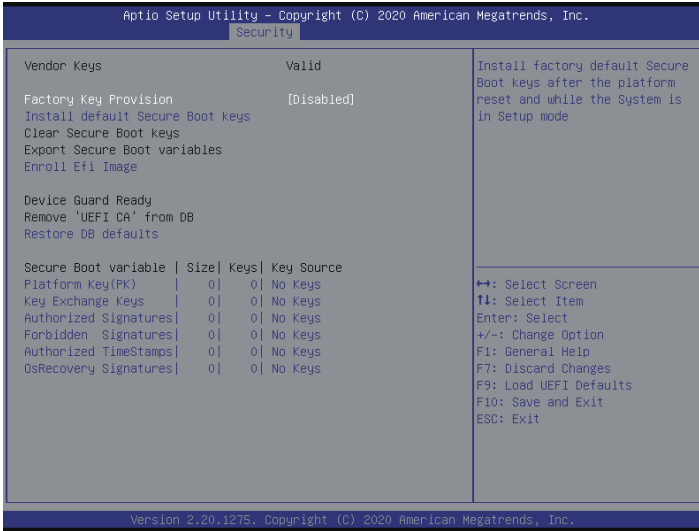
Use this to enable or disable Secure Boot Control. The default value is [Disabled]. Enable to support Windows Server 2012 R2 or later versions Secure Boot.

### Secure Boot Mode

Secure Boot mode selector: Standard/Custom. In Custom mode Secure Boot Variables can be configured without authentication.

## 3.5.1 Key Management

In this section, expert users can modify Secure Boot Policy variables without full authentication.



### Factory Key Provision

Install factory default Secure Boot keys after the platform reset and while the System is in Setup mode.

### Install Default Secure Boot Keys

Please install default secure boot keys if it's the first time you use secure boot.

### Enroll Efi Image

Allow the image to run in Secure Boot mode. Enroll SHA256 hash of the binary into Authorized Signature Database (db).

### Restore DB defaults

Restore DB variable to factory defaults.

### Platform Key(PK)

Enroll Factory Defaults or load certificates from a file:

1. Public Key Certificate in:

a) EFI\_SIGNATURE\_LIST

b) EFI\_CERT\_X509 (DER encoded)

c) EFI\_CERT\_RSA2048 (bin)

d) EFI\_CERT\_SHA256, 384, 512

2. Authenticated UEFI Variable

3. EFI PE/COFF Image(SHA256)

Key Source: Default, External, Mixed, Test

## Key Exchange Keys

Enroll Factory Defaults or load certificates from a file:

1. Public Key Certificate in:

a) EFI\_SIGNATURE\_LIST

b) EFI\_CERT\_X509 (DER encoded)

c) EFI\_CERT\_RSA2048 (bin)

d) EFI\_CERT\_SHA256, 384, 512

2. Authenticated UEFI Variable

3. EFI PE/COFF Image(SHA256)

Key Source: Default, External, Mixed, Test

## Authorized Signatures

Enroll Factory Defaults or load certificates from a file:

1. Public Key Certificate in:

a) EFI\_SIGNATURE\_LIST

b) EFI\_CERT\_X509 (DER encoded)

c) EFI\_CERT\_RSA2048 (bin)

d) EFI\_CERT\_SHA256, 384, 512

2. Authenticated UEFI Variable

3. EFI PE/COFF Image(SHA256)

Key Source: Default, External, Mixed, Test

## Forbidden Signatures

Enroll Factory Defaults or load certificates from a file:

1. Public Key Certificate in:

- a) EFI\_SIGNATURE\_LIST
- b) EFI\_CERT\_X509 (DER encoded)
- c) EFI\_CERT\_RSA2048 (bin)
- d) EFI\_CERT\_SHA256, 384, 512

2. Authenticated UEFI Variable

3. EFI PE/COFF Image(SHA256)

Key Source: Default, External, Mixed, Test

## Authorized TimeStamps

Enroll Factory Defaults or load certificates from a file:

1. Public Key Certificate in:

- a) EFI\_SIGNATURE\_LIST
- b) EFI\_CERT\_X509 (DER encoded)
- c) EFI\_CERT\_RSA2048 (bin)
- d) EFI\_CERT\_SHA256, 384, 512

2. Authenticated UEFI Variable

3. EFI PE/COFF Image(SHA256)

Key Source: Default, External, Mixed, Test

## OsRecovery Signatures

Enroll Factory Defaults or load certificates from a file:

1. Public Key Certificate in:

- a) EFI\_SIGNATURE\_LIST
- b) EFI\_CERT\_X509 (DER encoded)
- c) EFI\_CERT\_RSA2048 (bin)
- d) EFI\_CERT\_SHA256, 384, 512

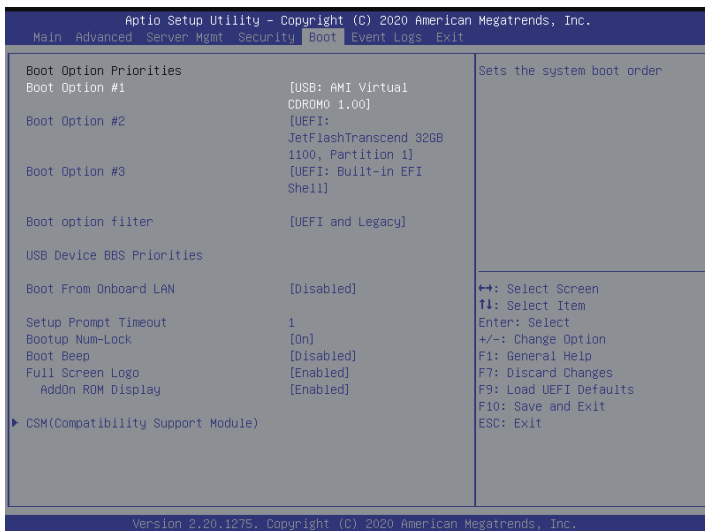
2. Authenticated UEFI Variable

3. EFI PE/COFF Image(SHA256)

Key Source: Default, External, Mixed, Test

## 3.6 Boot Screen

In this section, it will display the available devices on your system for you to configure the boot settings and the boot priority.



### Boot Option #1

Use this item to set the system boot order.

### Boot Option #2

Use this item to set the system boot order.

### Boot Option #3

Use this item to set the system boot order.

### Boot Option Filter

This option controls Legacy/UEFI ROMs priority.

### USB Device BBS Priorities

Use this item to set the boot priorities for USB devices.

### Boot From Onboard LAN

Use this item to enable or disable the Boot From Onboard LAN feature.



## Setup Prompt Timeout

Configure the number of seconds to wait for the UEFI setup utility.

## Bootup Num-Lock

If this item is set to [On], it will automatically activate the Numeric Lock function after boot-up.

## Boot Beep

Select whether the Boot Beep should be turned on or off when the system boots up. Please note that a buzzer is needed.

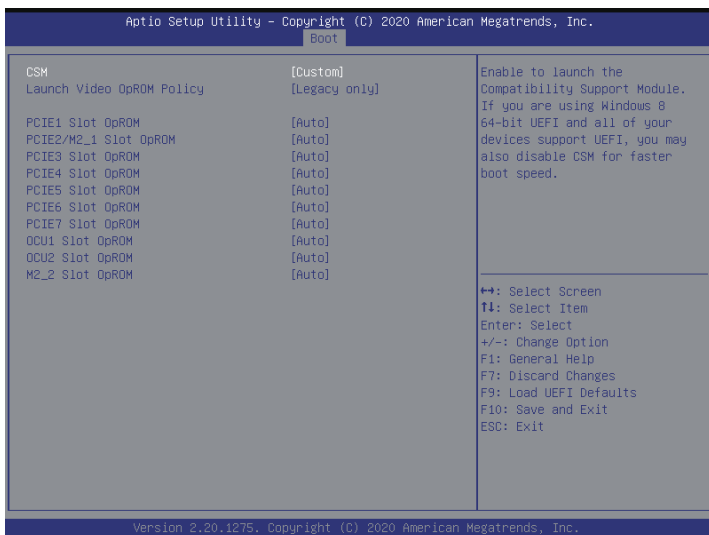
## Full Screen Logo

Use this item to enable or disable OEM Logo. The default value is [Enabled].

## AddOn ROM Display

Use this option to adjust AddOn ROM Display. If you enable the option “Full Screen Logo” but you want to see the AddOn ROM information when the system boots, please select [Enabled]. Configuration options: [Enabled] and [Disabled]. The default value is [Enabled].

## 3.6.1 CSM Parameters



### CSM

Enable to launch the Compatibility Support Module. Please do not disable unless you're running a WHCK test. If you are using Windows Server 2012 R2 or later versions 64-bit UEFI and all of your devices support UEFI, you may also disable CSM for faster boot speed.

### Launch Video OpROM Policy

Select UEFI only to run those that support UEFI option ROM only. Select Legacy only to run those that support legacy option ROM only. Select Do not launch to not execute both legacy and UEFI option ROM.

### PCIe1 Slot OpROM

Use this item to select slot storage and Network Option ROM policy. In Auto option, the default is Disabled with NVMe device, but it is Legacy with other devices. (This item can't select Video Option ROM policy.)

### PCIe2/M2\_1 Slot OpROM

Use this item to select slot storage and Network Option ROM policy. In Auto option, the default is Disabled with NVMe device, but it is Legacy with other devices. (This item can't select Video Option ROM policy.)

### PCIe3 Slot OpROM

Use this item to select slot storage and Network Option ROM policy. In Auto option, the default is Disabled with NVMe device, but it is Legacy with other devices. (This item can't select Video Option ROM policy.)

### PCIe4 Slot OpROM

Use this item to select slot storage and Network Option ROM policy. In Auto option, the default is Disabled with NVMe device, but it is Legacy with other devices. (This item can't select Video Option ROM policy.)

### PCIe5 Slot OpROM

Use this item to select slot storage and Network Option ROM policy. In Auto option, the default is Disabled with NVMe device, but it is Legacy with other devices. (This item can't select Video Option ROM policy.)

### PCIe6 Slot OpROM

Use this item to select slot storage and Network Option ROM policy. In Auto option, the default is Disabled with NVMe device, but it is Legacy with other devices. (This item can't select Video Option ROM policy.)

### PCIe7 Slot OpROM

Use this item to select slot storage and Network Option ROM policy. In Auto option, the default is Disabled with NVMe device, but it is Legacy with other devices. (This item can't select Video Option ROM policy.)

### OCU1 Slot OpROM

Use this item to select slot storage and Network Option ROM policy. In Auto option, the default is Disabled with NVMe device, but it is Legacy with other devices. (This item can't select Video Option ROM policy.)

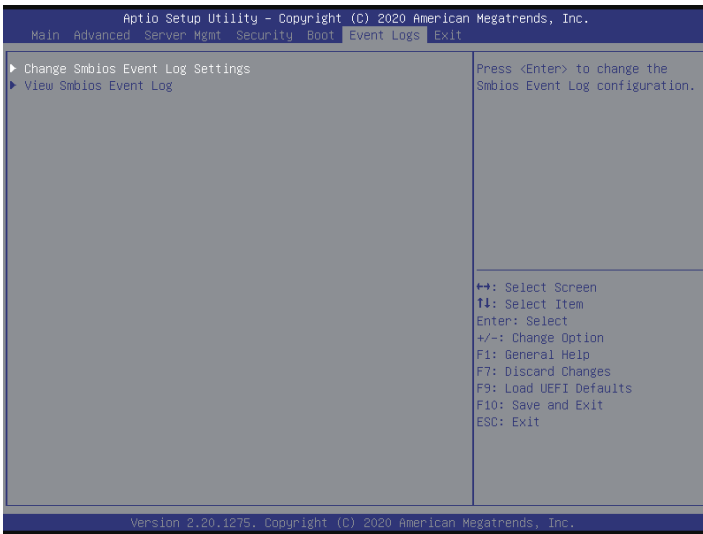
### OCU2 Slot OpROM

Use this item to select slot storage and Network Option ROM policy. In Auto option, the default is Disabled with NVMe device, but it is Legacy with other devices. (This item can't select Video Option ROM policy.)

### M2\_2 Slot OpROM

Use this item to select slot storage and Network Option ROM policy. In Auto option, the default is Disabled with NVMe device, but it is Legacy with other devices. (This item can't select Video Option ROM policy.)

## 3.7 Event Logs



### Change Smbios Event Log Settings

This allows you to configure the Smbios Event Log Settings.

When entering the item, you will see the followings:

#### **Smbios Event Log**

Use this item to enable or disable all features of the SMBIOS Event Logging during system boot.

#### **Erase Event Log**

The options include [No], [Yes, Next reset] and [Yes, Every reset]. If Yes is selected, all logged events will be erased.

#### **When Log is Full**

Use this item to choose options for reactions to a full Smbios Event Log. The options include [Do Nothing] and [Erase Immediately].

#### **Log System Boot Event**

Choose option to enable/disable logging of System boot event.

#### **MECI (Multiple Event Count Increment)**

Use this item to enter the increment value for the multiple event counter. The valid range is from 1 to 255.

#### **METW (Multiple Event Time Window)**

Use this item to specify the number of minutes which must pass between duplicate log

entries which utilize a multiple-event counter. The value ranges from 0 to 99 minutes.

### **Log EFI Status Code**

Enable or disable the logging of EFI Status Codes as OEM reserved type E0 (if not already converted to legacy).

### **Convert EFI Status Codes to Standard Smbios Type**

Enable or disable the converting of EFI Status Codes to Standard Smbios Types (Not all may be translated).

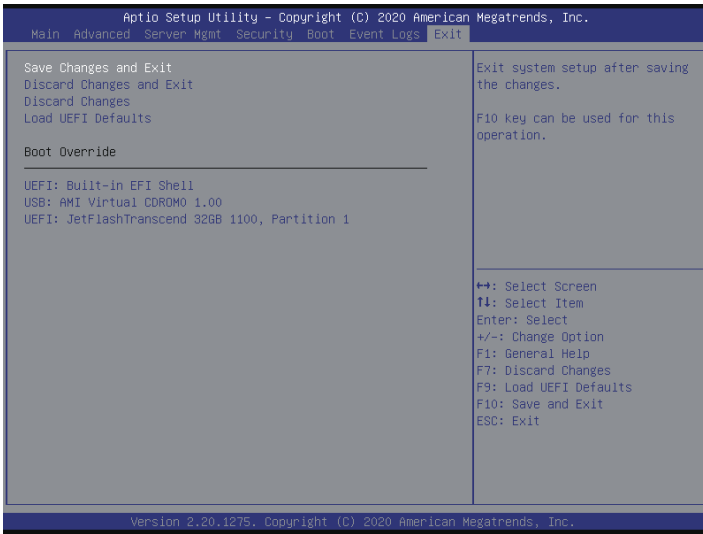
### **View Smbios Event Log**

Press <Enter> to view the Smbios Event Log records.



*All values changed here do not take effect until computer is restarted.*

## 3.8 Exit Screen



### Save Changes and Exit

When you select this option, the following message “Save configuration changes and exit setup?” will pop-out. Press <F10> key or select [Yes] to save the changes and exit the UEFI SETUP UTILITY.

### Discard Changes and Exit

When you select this option, the following message “Discard changes and exit setup?” will pop-out. Press <ESC> key or select [Yes] to exit the UEFI SETUP UTILITY without saving any changes.

### Discard Changes

When you select this option, the following message “Discard changes?” will pop-out. Press <F7> key or select [Yes] to discard all changes.

### Load UEFI Defaults

Load UEFI default values for all the setup questions. F9 key can be used for this operation.

### Boot Override

These items displays the available devices. Select an item to start booting from the selected device.

## Chapter 4 Software Support

After all the hardware has been installed, we suggest you go to our official website at <http://www.ASRockRack.com> and make sure if there are any new updates of the BIOS / BMC firmware for your motherboard.

### 4.1 Download and Install Operating System

This motherboard supports various Microsoft® Windows® Server / Linux compliant operating systems. Please download the operating system from your OS manufacturer. Please refer to your OS documentation for more instructions.

*\*Please download the Intel® SATA Floppy Image driver from the ASRock Rack's website ([www.asrockrack.com](http://www.asrockrack.com)) to your USB drive while installing OS in SATA RAID mode.*

### 4.2 Download and Install Software Drivers

This motherboard supports various Microsoft® Windows® compliant drivers. Please download the required drivers from our website at <http://www.ASRockRack.com>.

To download necessary drivers, go the product page, click on the "Download" tab, choose the operating system you use, and select the driver you need to be downloaded.

### 4.3 Contact Information

If you need to contact ASRock Rack or want to know more about ASRock Rack, welcome to visit ASRock Rack's website at <http://www.ASRockRack.com>; or you may contact your dealer for further information.

# Chapter 5 Troubleshooting

## 5.1 Troubleshooting Procedures

Follow the procedures below to troubleshoot your system.



*Always unplug the power cord before adding, removing or changing any hardware components. Failure to do so may cause physical injuries to you and damages to motherboard components.*

1. Disconnect the power cable and check whether the PWR LED is off.
2. Unplug all cables, connectors and remove all add-on cards from the motherboard. Make sure that the jumpers are set to default settings.
3. Confirm that there are no short circuits between the motherboard and the chassis.
4. Install a CPU and fan on the motherboard, then connect the chassis speaker and power LED.

### **If there is no power...**

1. Confirm that there are no short circuits between the motherboard and the chassis.
2. Make sure that the jumpers are set to default settings.
3. Check the settings of the 115V/230V switch on the power supply.
4. Verify if the battery on the motherboard provides ~3VDC. Install a new battery if it does not.

### **If there is no video...**

1. Try replugging the monitor cables and power cord.
2. Check for memory errors.

### **If there are memory errors...**

1. Verify that the DIMM modules are properly seated in the slots.
2. Use recommended DDR4 R/LRDIMMs.
3. If you have installed more than one DIMM modules, they should be identical with the same brand, speed, size and chip-type.
4. Try inserting different DIMM modules into different slots to identify faulty ones.
5. Check the settings of the 115V/230V switch on the power supply.



### **Unable to save system setup configurations...**

1. Verify if the battery on the motherboard provides ~3VDC. Install a new battery if it does not.
2. Confirm whether your power supply provides adequate and stable power.

### **Other problems...**

1. Try searching keywords related to your problem on ASRock Rack's FAQ page:  
<http://www.asrockrack.com/support>

## 5.2 Technical Support Procedures

If you have tried the troubleshooting procedures mentioned above and the problems are still unsolved, please contact ASRock Rack's technical support with the following information:

1. Your contact information
2. Model name, BIOS version and problem type.
3. System configuration.
4. Problem description.

You may contact ASRock Rack's technical support at:  
<http://www.asrockrack.com/support/tsd.asp>

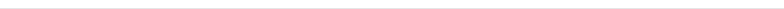
## 5.3 Returning Merchandise for Service

For warranty service, the receipt or a copy of your invoice marked with the date of purchase is required. By calling your vendor or going to our RMA website (<http://event.asrockrack.com/tsd.asp>) you may obtain a Returned Merchandise Authorization (RMA) number.

The RMA number should be displayed on the outside of the shipping carton which is mailed prepaid or hand-carried when you return the motherboard to the manufacturer. Shipping and handling charges will be applied for all orders that must be mailed when service is complete.

This warranty does not cover damages incurred in shipping or from failure due to alteration, misuse, abuse or improper maintenance of products.

Contact your distributor first for any product related problems during the warranty period.



## **Contact Information**

If you need to contact ASRock Rack or want to know more about ASRock Rack, you're welcome to visit ASRock Rack's website at <http://www.asrockrack.com>; or you may contact your dealer for further information. For technical questions, please submit a support request form at <https://event.asrockrack.com/tsd.asp>

### **ASRock Rack Incorporation**

e-mail: [ASRockRack\\_sales@asrockrack.com](mailto:ASRockRack_sales@asrockrack.com)

### **ASRock Rack EUROPE B.V.**

Bijsterhuizen 11-11

6546 AR Nijmegen

The Netherlands

Phone: +31-24-345-44-33

### **ASRock Rack America, Inc.**

13848 Magnolia Ave, Chino, CA91710 U.S.A.

Phone: +1-909-590-8308

Fax: +1-909-590-1026