

ASRock®



PG032UFS2C

User Manual

## Contents

<b>Chapter 1 Introduction</b>	<b>1</b>
1.1 Package Contents	1
<b>Chapter 2 Setting up the Monitor</b>	<b>2</b>
2.1 Attaching the Stand Arm and Base	2
2.2 Detaching the Stand Arm and Base	5
2.3 Detaching the Stand for VESA Wall Mount	6
2.4 Making Connections	9
2.5 Adjusting the Viewing Angle	16
2.6 Using the Security Slot	18
<b>Chapter 3 Monitor Overview</b>	<b>19</b>
3.1 Front View	19
3.2 Rear View	20
3.3 Bottom View	22
<b>Chapter 4 Specifications</b>	<b>24</b>
4.1 Monitor Specifications	24
4.2 Supported Timing List	26
<b>Chapter 5 Operating the Monitor</b>	<b>28</b>
5.1 Powering On/Off the Monitor	28
5.2 Hot Keys	29
5.3 Using the Joystick Control	30
<b>Chapter 6 OSD Setup</b>	<b>32</b>
6.1 Accessing the OSD Menu	32

6.2	OSD Menus	33
	<b>Chapter 7 Troubleshooting</b>	<b>45</b>
	<b>Chapter 8 Safety Instructions</b>	<b>46</b>



# Chapter 1 Introduction

Thank you for purchasing PGO32UFS2C, a reliable monitor produced under ASRock's consistently stringent quality control. It delivers excellent performance with robust design conforming to ASRock's commitment to quality and endurance.

## 1.1 Package Contents

Your monitor ships with the components shown below. Please make sure that you have received all the components and contact your place of purchase or local distributor if any of the items is damaged or missing.

- ASRock PGO32UFS2C Monitor
- ASRock PGO32UFS2C Stand Arm
- ASRock PGO32UFS2C Stand Base
- ASRock PGO32UFS2C Quick Start Guide
- HDMI Cable
- DisplayPort Cable
- Power Cord
- Power Adaptor
- USB Type-A to Type-B Cable
- USB Type-C Cable
- PG Cable Sleeve



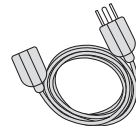
Monitor



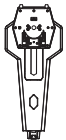
HDMI Cable



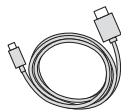
DisplayPort Cable



Power Cord



Stand Arm



USB Type-A to Type-B Cable



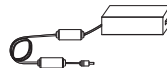
USB Type-C Cable



Stand Base



PG Cable Sleeve



Power Adaptor



Quick Start Guide



### Important

Package contents may vary by country.

The included power cord is exclusively for this monitor and should not be used with other products.

## Chapter 2 Setting up the Monitor

### 2.1 Attaching the Stand Arm and Base

#### Step 1. Installing the Stand Base

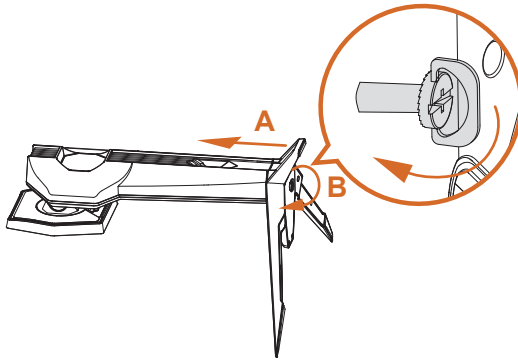
- Leave the monitor in its protective foam packaging.



#### Important

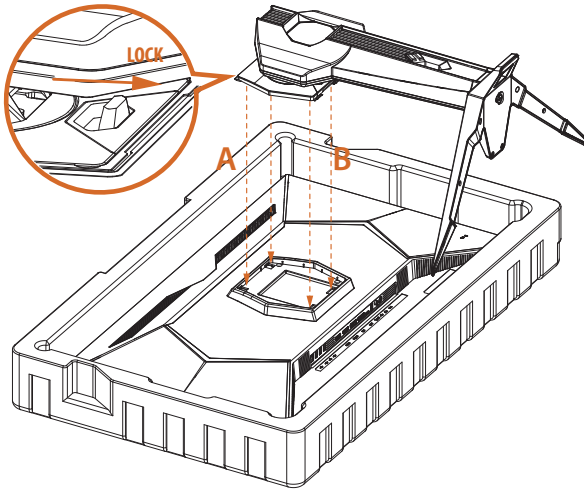
Place the monitor in its protective foam packaging, or on a soft, protected surface to avoid scratching the display screen.

- Insert the stand base to the stand arm and tighten the screw at the bottom of the stand base.



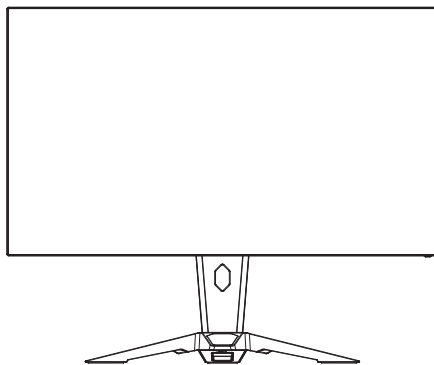
## Step 2. Installing the Monitor Stand

- Align and slide the two tabs on the stand arm to the groove on the back of the monitor until it snaps into place.
- Push the stand lock to the locked position to ensure the stability.



## Step 3. Placing the Monitor Upright

Lift the monitor carefully out of the foam packaging and into its upright position on a flat, stable surface.



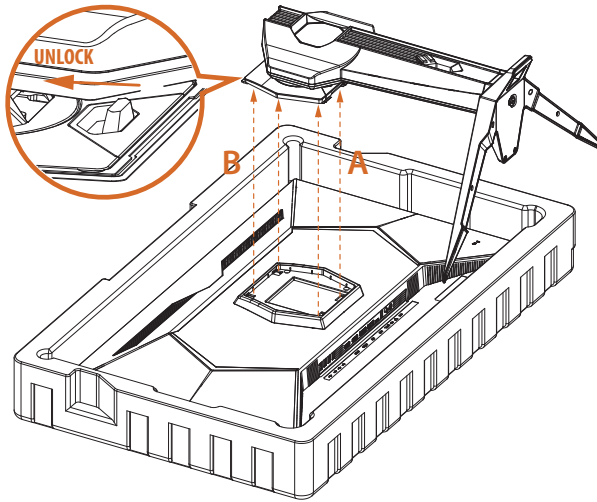
Important

Be careful not to touch or press the display screen area when lifting or moving the monitor to avoid any scratches or damage.

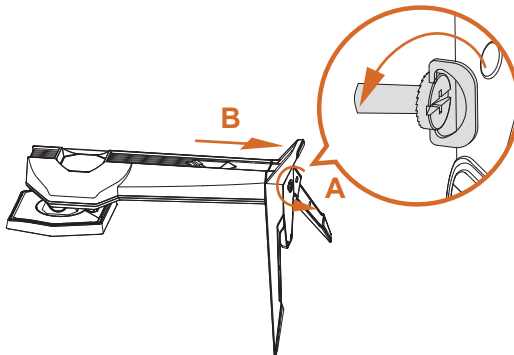
## 2.2 Detaching the Stand Arm and Base

Before removing the stand, be sure to turn off the monitor and disconnect all cables.

1. Push the stand lock to the unlock position. Lift upward to disengage the tabs on the stand arm from the monitor. Remove the stand (arm and base).



2. Release the screw at the bottom of the stand base. Pull to remove the stand base from the stand arm.



## 2.3 Detaching the Stand for VESA Wall Mount



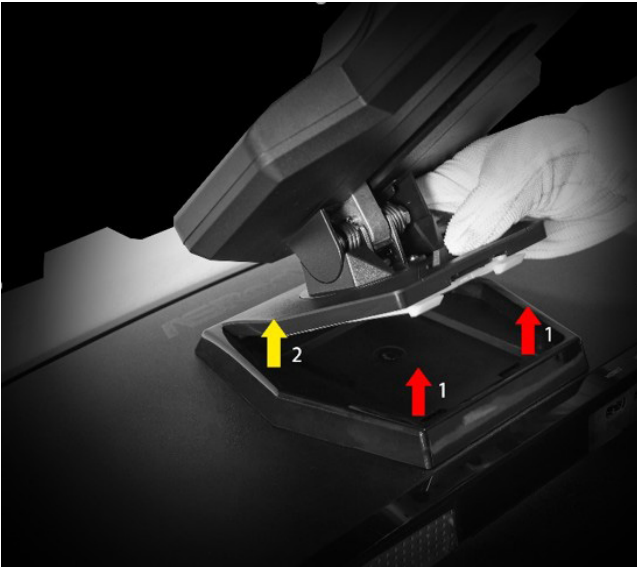
Important

Avoid damaging the monitor surface. While detaching the monitor stand, always keep the monitor inside its EPS packaging.

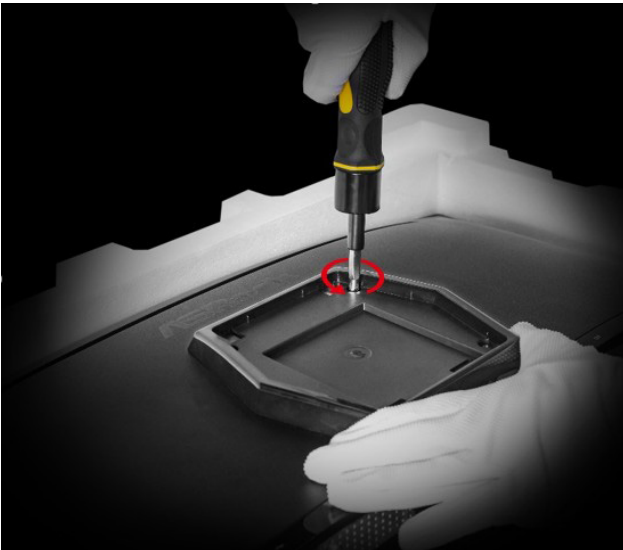
1. Disconnect power and signal cables. Carefully put the monitor face down on its packaging.
2. Press the push-button.



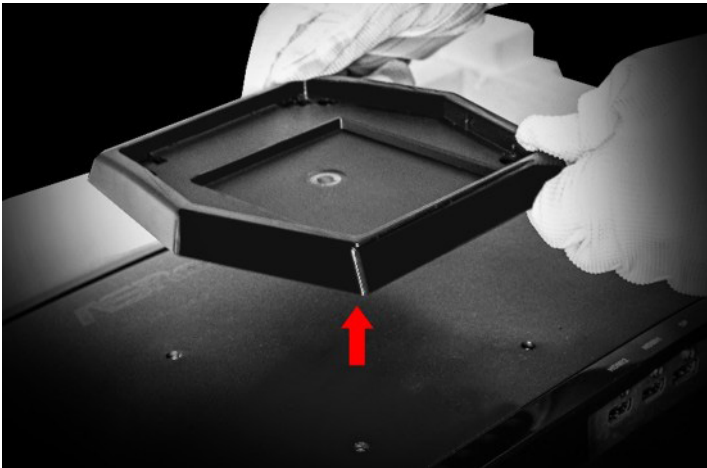
3. Lift the stand and detach it from the VESA Adapter.



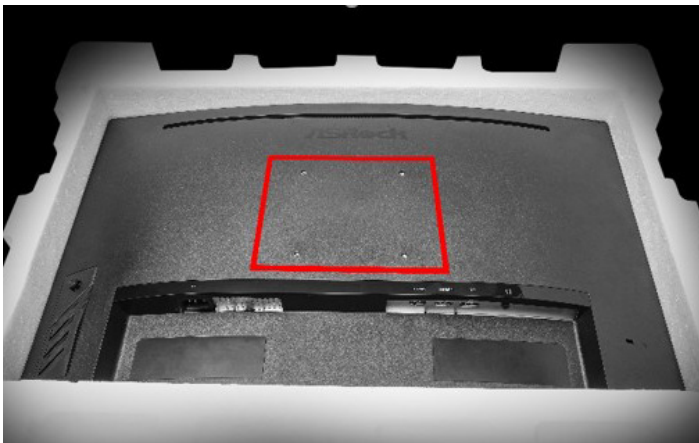
4. Remove the four (4) screws.



5. Remove the VESA adapter from the head of your monitor.



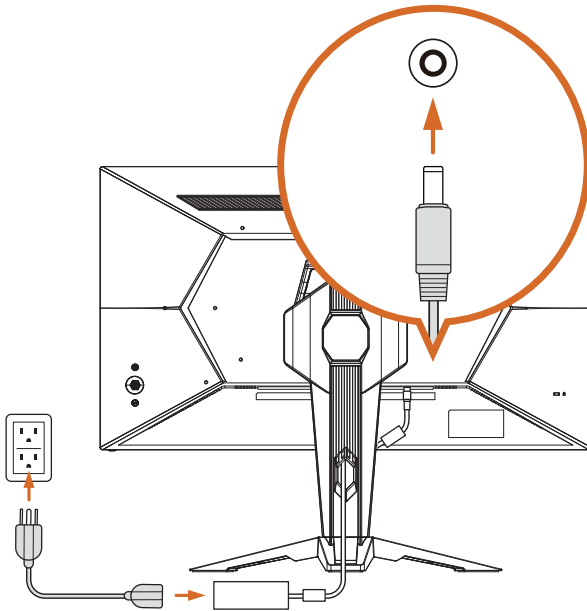
6. You can start installing the VESA wall mount now!



## 2.4 Making Connections

### Connecting the Power Cord

Pass the cable of the power adaptor through the cable management hole on the stand arm. Connect the power adaptor to the monitor and to the power cord. Connect the power cord to an electrical wall outlet.



#### Important

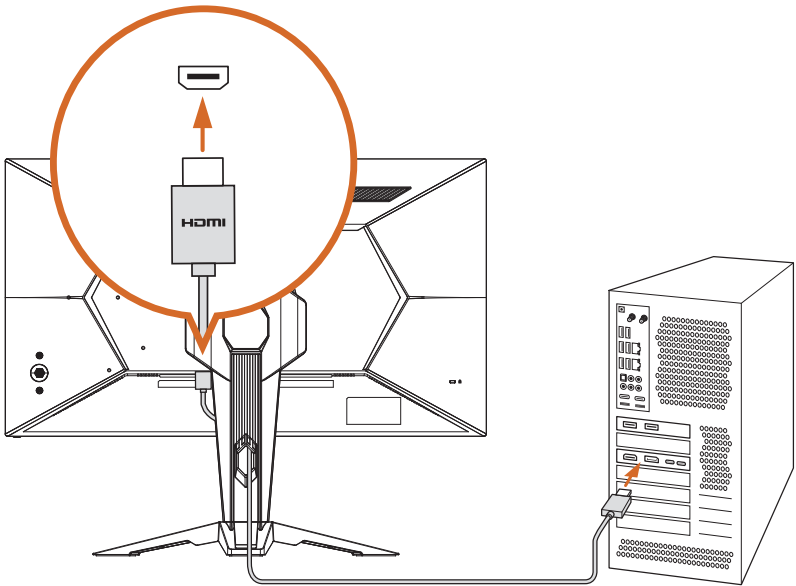
Please make sure to make a grounding connection before connecting the power plug to the power source.

Additionally, when disconnecting the grounding connection, be sure to disconnect the power plug from the power source before proceeding.

## Connecting the Monitor to the PC / Laptop

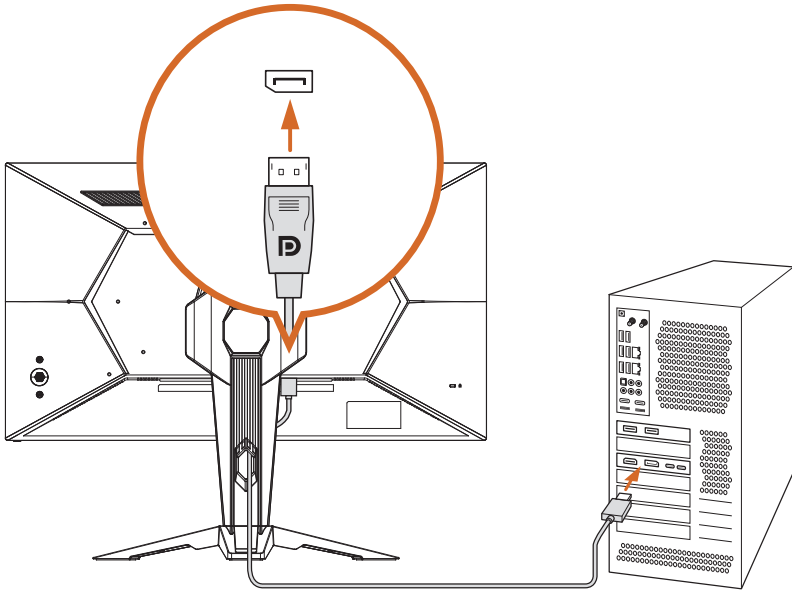
### HDMI Connection

Connect one end of the HDMI cable to the HDMI connector on the rear side of the monitor. Then connect the other end to the HDMI connector on the PC or laptop. Pass the cable through the cable management hole on the stand arm.



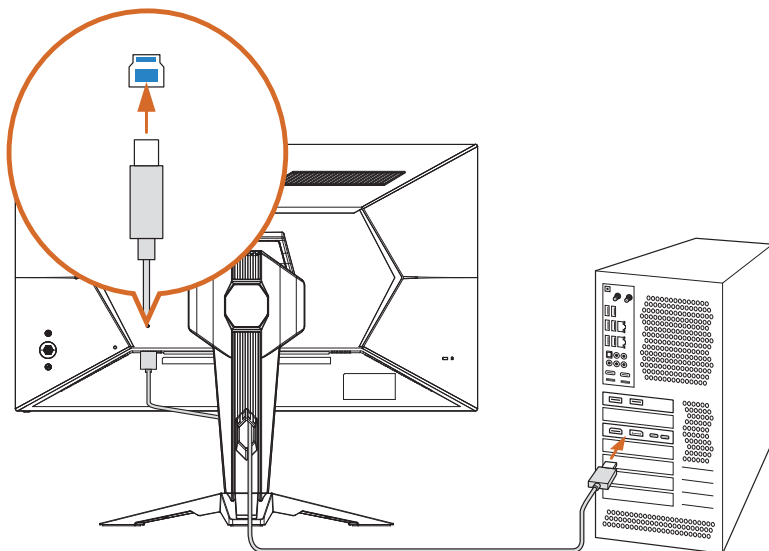
## DisplayPort Connection

Connect one end of the DisplayPort cable to the DisplayPort input connector on the rear side of the monitor. Then connect the other end to the DisplayPort output connector on the PC or laptop. Pass the cable through the cable management hole on the stand arm.



## USB Type-B Connection (to Host)

Connect the USB type-B end of the USB cable to the USB type-B upstream port on the rear side of the monitor. Then connect the other end of the cable to USB port on your PC or laptop.

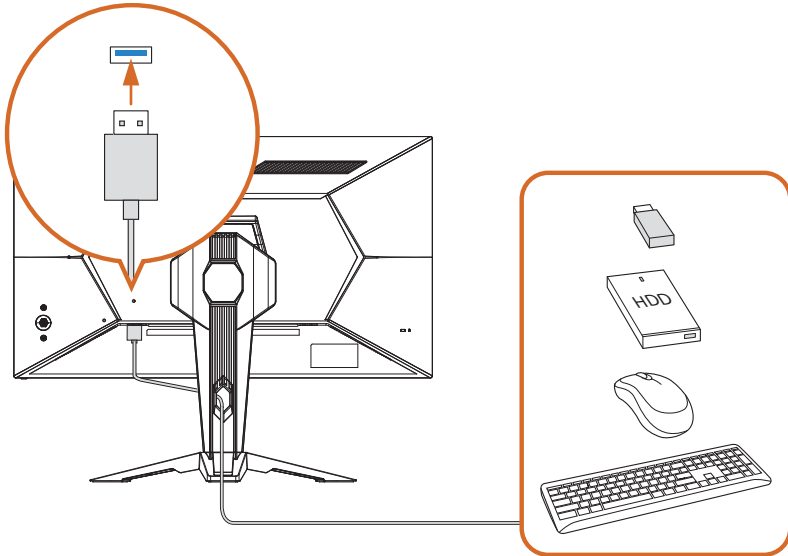


### Important

It is required to connect the USB type-B upstream port to your computer or laptop before using the downstream type-A ports for connections.

## USB Type-A Connection (to Device)

Use the Type-A downstream port(s) on the rear side of the monitor to connect to your USB devices, such as a USB keyboard, a USB mouse, a USB portable hard drive, or a USB flash drive.

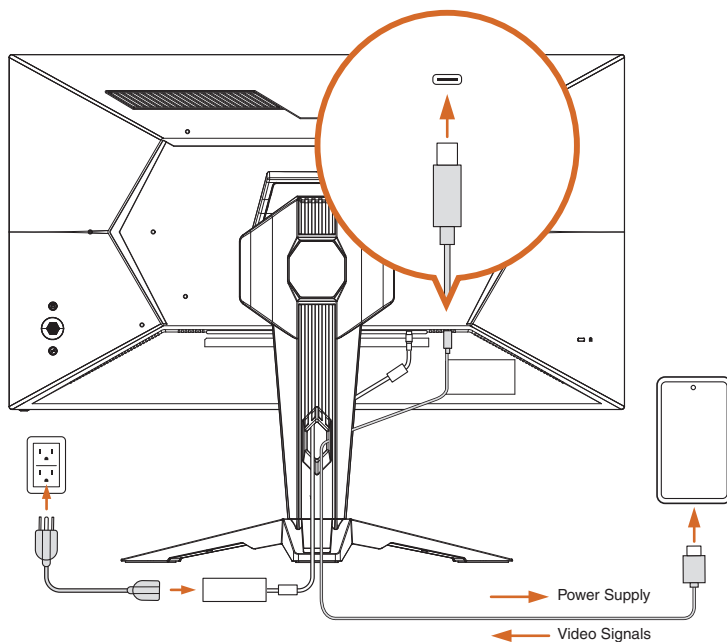


## USB Type-C Connection (for Display and Power Delivery)

The type-C port on the rear side of the monitor is compatible with the DP Alt mode and USB power delivery.

Use a Type-C cable to connect the monitor to your laptop for an external display. You can also connect it to our smartphones or tablets to mirror your device's screen on the monitor, enabling you to share videos and photos with others.

Meanwhile, the monitor can charge your smartphones or tablets via the type-C cable.

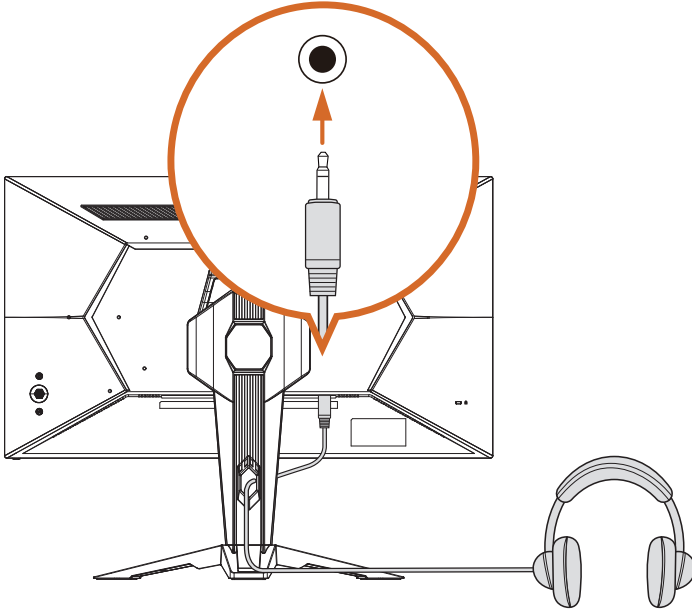


### Important

Devices connected must be equipped with a USB-C connector, and support the charging function based on USB-C or USB Power Delivery.

## Audio Cable Connection

You can connect headphones to the headphone jack on the bottom side of the monitor. Pass the cable through the cable management hole on the stand arm.



## 2.5 Adjusting the Viewing Angle

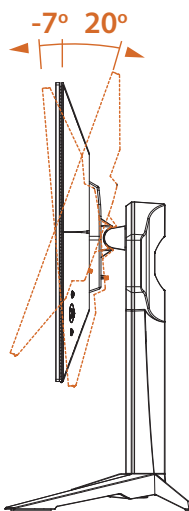
The monitor adopts an ergonomically-designed stand. It offers swivel, tilt, and height adjustments, which give gamers more flexibility to find an optimal viewing position.

### Tilt Angle Adjustment

For optimal viewing, it is recommended to look at the full face of the monitor, and then adjust the monitor's angle to your own preference.

Hold the stand firmly with one hand while tilting the monitor forwards or backwards with the other hand so you do not topple the monitor when you adjust the monitor's angle.

You are able to adjust the tilted angle from  $-7^{\circ}$  to  $20^{\circ}$ .

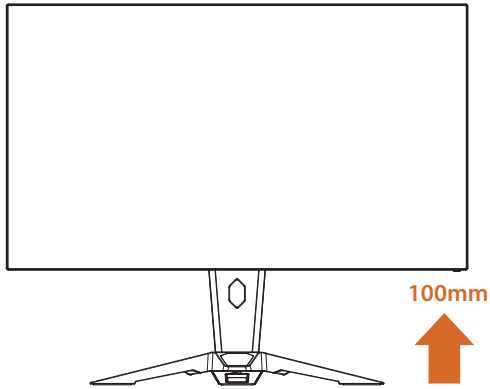


Important

Be careful not to touch or press the display screen area when adjusting the monitor.

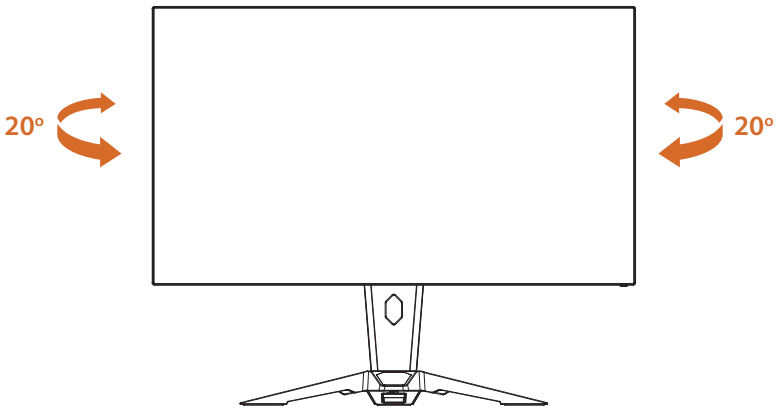
## Height Adjustment

You can lower or raise the monitor to the desired height.



## Swivel Adjustment

Swivel the monitor to the left or right for the desired viewing angle.

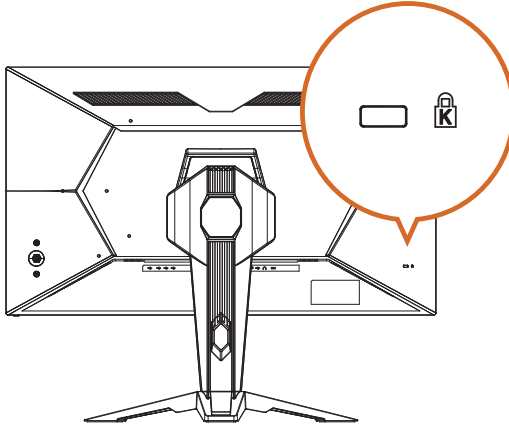


Important

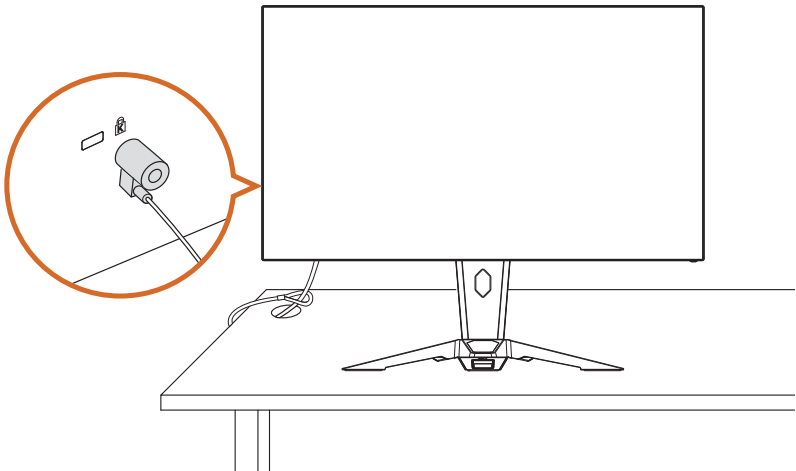
Be careful not to touch or press the display screen area when adjusting the monitor.

## 2.6 Using the Security Slot

This monitor supports a Kensington-type security slot. The Kensington lock can be used to secure the monitor and prevent it from being stolen in public locations.

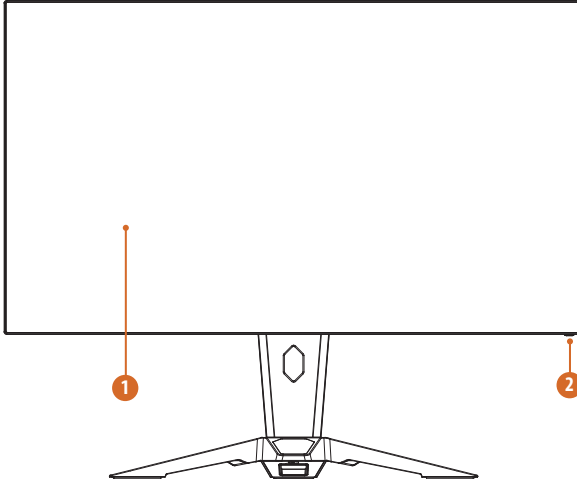


NOTE: Kensington lock is not included. You need to purchase an additional locking device.



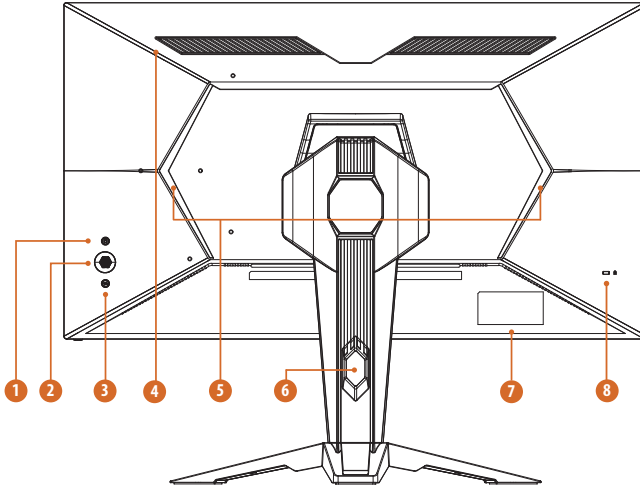
# Chapter 3 Monitor Overview

## 3.1 Front View



No.	Item	Description
1	Display screen	The display part of a monitor
2	Power Indicator / Pixel Clear Indicator	<p>The color definition of the power indicator:</p> <ul style="list-style-type: none"><li>• Solid White - Power on mode</li><li>• Solid Orange - Standby mode (no signal input)</li><li>• LED Off - Off mode</li></ul> <p>In the Pixel Clear mode, the LED indicates the status of Pixel Clear:</p> <ul style="list-style-type: none"><li>• Blinking White and Orange Alternatively - Running Pixel Clear</li><li>• Solid White - Pixel Clear is done.</li></ul> <p>Note: During the Pixel Clear process, the screen will become completely black, and the indicator light will flash white and orange alternatively. Please wait patiently around 5 to 6 minutes. Once the Pixel Clear is completed, the screen will automatically light up, and the indicator light will turn solid white.</p>

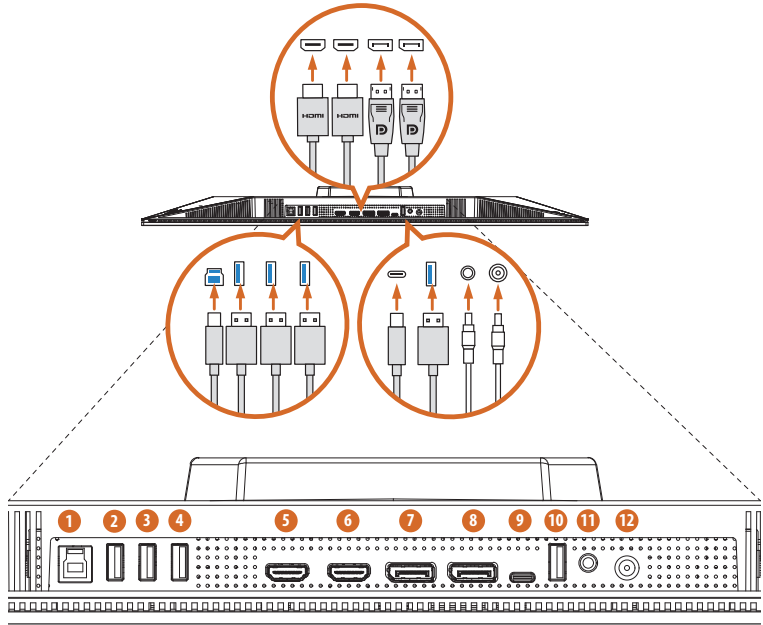
### 3.2 Rear View



No.	Item	Description
1	Power On/Off button	<p>Press to turn the monitor on. Press and hold for 3 seconds to turn the monitor off.</p> <p>The color definition of the power indicator:</p> <ul style="list-style-type: none"> <li>• Solid White - Power on mode</li> <li>• Solid Orange - Standby mode</li> <li>• LED Off - Off mode</li> </ul>
2	Menu Button Hot Keys/Joystick	<p>Press to activate the OSD Main Menu. Please see the sections entitled "Hot Keys" and "Using the Joystick Control" for more information.</p>
3	Dual Display Mode Button (4K/UHD 240Hz & FHD 480Hz)	<p>Switches the refresh rate and resolution from 240Hz at UHD to 480Hz in FHD depending on the type of content presented.</p> <p>Note: Please enable the DFR feature before using this switch. In the OSD menu, select "Gaming" &gt; "DFR Mode" &gt; "On".</p>

4	Air vent	There are vents on the back of the monitor for heat dissipation and ventilation.
5	LED Backlights	The RGB LED backlights enhance gaming and movie watching experiences. You can adjust the lighting in the OSD menu: Select "System" > "Lighting".
6	Cable Management Hole	Organize cables by passing them through the hole.
7	Serial Label	Lists the model name of the monitor and the power rating information.
8	Kensington Lock slot	Secure monitor with a security lock (security lock not included).

### 3.3 Bottom View



No.	Item	Description
1	USB 3.2 Gen1 Type-B Port (upstream)	Connect the USB cable from the host (your computer) to the monitor when using the USB hub function.
2	USB 3.2 Gen1 Type-A Port (downstream)	Connect the USB cable from the keyboard, mouse, etc. to the monitor when using the USB hub function.
3	USB 3.2 Gen1 Type-A Port (downstream)	Connect the USB cable from the keyboard, mouse, etc. to the monitor when using the USB hub function.
4	USB 3.2 Gen1 Type-A Port (downstream)	Connect the USB cable from the keyboard, mouse, etc. to the monitor when using the USB hub function.

5	HDMI1 Input	Connect your computer with the HDMI cable.
6	HDMI2 Input	Connect your computer with the HDMI cable.
7	DisplayPort1 Input	Connect your computer with the DisplayPort cable.
8	DisplayPort2 Input	Connect your computer with the DisplayPort cable.
9	USB 3.2 Gen1 Type-C Port (DP Alt Mode/PD 65W)	Connect the USB cable from your laptop, smartphone or tablet for external display and power charging.
10	USB Port for Firmware Update	Insert the USB drive with firmware update to this USB port.
11	Audio Output	Connect your headphone with the audio cable. (Purchase separately)
12	DC-IN Port	Connect the power cord.

## Chapter 4 Specifications

### 4.1 Monitor Specifications

Model	PGO32UFS2C	
Display	Panel Size	32"
	Viewing Area	697 x 391 mm (H x V)
	Aspect Ratio	16:9
	Panel Type	WOLED
	Viewing Angle	178°(H) / 178°(V)
	Resolution	UHD (3840 x 2160)
	Pixel Pitch	0.1814mm
	Curvature	Flat
	Refresh Rate	240Hz
	Response Time	0.03 ms (GTG)
	Brightness (typ.)	275 nits (SDR Typ.) 1300 nits (HDR Peak )
	Color Space	99% DCI-P3 / 132% sRGB
	Display Colors	1.07B (10 bit)
	Contrast Ratio	1,500,000:1
	Display Surface	Anti-Glare
	HDR	VESA DisplayHDR™ True Black 400
	Low Blue Light	YES
Adaptive Sync	AMD FreeSync™ Premium Pro	
I/O Ports	HDMI	2 x HDMI™ 2.1
	DisplayPort	2 x DisplayPort™ 1.4
	USB Type-A	3 x USB 3.2 Gen1 Type-A
	USB Type-B	1 x USB 3.2 Gen1 Type-B
	USB Type-C	1 x USB 3.2 Gen1 Type-C (DP Alt Mode / PD 65W)
	Audio Out	1 x Headphone Out
	Speaker	5Wx2
Digital Signal Frequency	HDMI	30~311.04KHz (H); 40-144Hz (V)
	DP	30~535.01KHz (H); 40~240Hz (V)

Power Consumption	Power Consumption (Max)	≤ 235W
	Power Saving Mode	≤ 0.5 W
	Power Off Mode	≤ 0.3 W
	Voltage	100~240VAC, 50/60Hz, (Adapter 240W)
Mechanical Design	Tilt Adjustment	-7° ~ +20°
	Swivel Adjustment	-20° ~ +20°
	Height Adjustment	0~100 mm
	VESA Mount	100 x 100 mm (4 screw holes) M4 x 12 mm
Dimension (W x H x D)	Dimension with Stand	715 x 602 x 280 (mm)
	Dimension without stand	715 x 413 x 63 (mm)
Weight	Net Weight with Stand	6.3 kg
	Net Weight without Stand	4.1 kg
	Gross Weight	9.9 kg
Environment	Operating	<ul style="list-style-type: none"> <li>• Temperature: 0°C to 40°C</li> <li>• Humidity: 20% to 80%, non-condensing</li> <li>• Altitude: 0 ~ 3048m</li> </ul>
	Storage	<ul style="list-style-type: none"> <li>• Temperature: -20°C to 60°C</li> <li>• Humidity: 20% to 80%, non-condensing</li> <li>• Altitude : 0~12192m</li> </ul>
Accessories (Vary by region)	1 x HDMI v2.1 (1.8m) 1 x DP v1.4 (1.8m) 1 x USB 3.2 Gen2 Type-C (1m) 1 x USB 3.2 Gen1 Type-A to Type-B (1.8m) 1 x Power Cord (1.5m) 1 x AC Adaptor 240W (1.5m) 1 x Quick Start Guide 1 x Phantom Gaming Cable Sleeve	
Unique Feature	Dual Display Mode: UHD 240Hz / FHD 480Hz KVM Switch	
Certificate	VESA DisplayHDR™ True Black 400 AMD FreeSync™ Premium Pro	

## 4.2 Supported Timing List

Standard	Resolution	PGO32UFS2C	
		HDMI	DP
VGA	640x480 @60Hz	V	V
	640x480 @67Hz	V	V
	640x480 @72Hz	V	V
	640x480 @75Hz	V	V
SVGA	800x600 @56Hz	V	V
	800x600 @60Hz	V	V
	800x600 @72Hz	V	V
	800x600 @75Hz	V	V
XGA	1024x768 @60Hz	V	V
	1024x768 @70Hz	V	V
	1024x768 @75Hz	V	V
SXGA	1280x1024 @60Hz	V	V
	1280x1024 @75Hz	V	V
WXGA+	1440x900 @60Hz	V	V
WSXGA+	1680x1050 @60Hz	V	V
----	1280x720 @60Hz	V	V
Full HD	1920x1080 @60Hz	V	V
	1920x1080 @100Hz	V	V
	1920x1080 @120Hz	V	V
	1920x1080 @144Hz	V	V
	1920x1080 @240Hz	V	V
	1920x1080 @480Hz	V	V
QHD	2560x1440 @60Hz	V	V
	2560x1440 @120Hz	V	V
	2560x1440 @144Hz	V	V
	2560x1440 @240Hz	V	V
UHD	3840x2160 @60Hz	V	V
	3840x2160 @120Hz	V	V
	3840x2160 @144Hz	V	V
	3840x2160 @240Hz	V	V

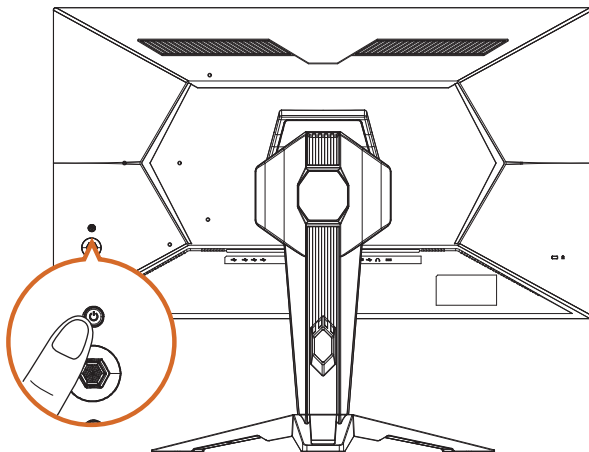
Video Timing Resolution	640x480P 59.94/60Hz 4:3	V	V
	720x480P 59.94/60Hz 4:3	V	V
	720x480P 59.94/60Hz 16:9	V	V
	720x576P 50Hz 4:3	V	V
	720x576P 50Hz 16:9	V	V
	1280x720P 50Hz 16:9	V	V
	1280x720P 59.94/60Hz 16:9	V	V
	1920x1080p 50Hz 16:9	V	V
	1920x1080P 59.94/60Hz 16:9	V	V
	1920x1080P 119.88/120Hz 16:9/1:1	V	V

## Chapter 5 Operating the Monitor

### 5.1 Powering On/Off the Monitor

Press the Power button (at the top most position) to turn on the monitor. The power indicator on the bottom edge of the monitor lights up in solid white to show that the monitor is ON.

To turn the monitor off, press and hold the Power button about 3 seconds until the LED light on the Power button turns OFF.



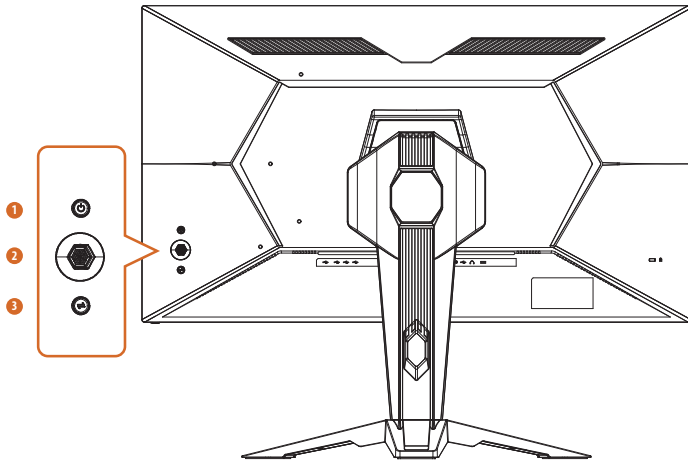
The color definition of the power indicator:




LED Indicator	Status	Description
Solid White	On	Solid white light indicates the monitor is turned on.
Solid Orange	Standby	Solid orange light indicates the monitor is in standby mode.
LED Off	Off	No light indicates the monitor is turned off.

## 5.2 Hot Keys

When the OSD screen is off, press the control buttons on the rear side of the monitor to access the OSD menu, change the preset mode, or adjust the brightness.

The labels on the side of the monitor correspond to the buttons on the back.

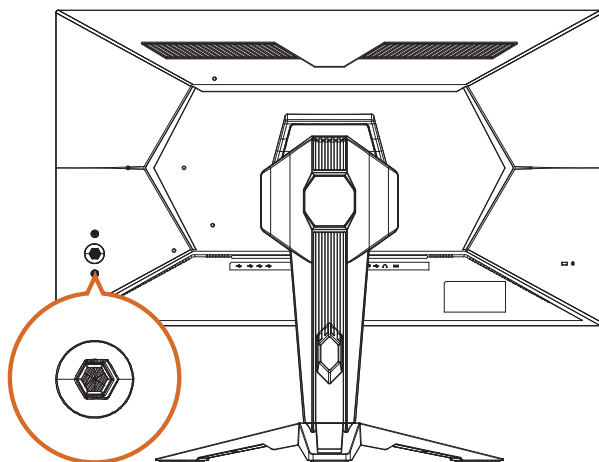




No.	Icon	Hot Key (When OSD is OFF)
1		<b>POWER</b> Press the power button to turn on/off the monitor.
2		<b>MENU</b> Press to activate the OSD Main Menu.
3		<b>DUAL DISPLAY MODE (4K/UHD 240Hz &amp; FHD 480Hz)</b> Switches the refresh rate and resolution from 240Hz at UHD to 480Hz in FHD depending on the type of content presented.  Note: Please enable the DFR feature before using this switch. In the OSD menu, select "Gaming" > "DFR Mode" > "On".




## 5.3 Using the Joystick Control

When the OSD screen is on, use the joystick on the rear side of the monitor to navigate the OSD menu and adjust the settings.

1. To access the OSD menu, press the joystick button to launch the OSD main menu.
2. Move the joystick up/down/left/right to toggle between options.
3. Press the joystick button again to confirm the settings.
4. Toggle left to exit the OSD menu.



No.	Action		Joystick Control (When OSD is ON)
1	Press		When the OSD menu is ON, press to confirm the selection (Enter) or save the settings (OK).
2	Toggle Left		Toggle left to select menu items (Move), go back to the previous menu (Back) or exit the OSD menu (Exit) Decreases the parameters of the selected menu item (Adjust).

3	Toggle Right		Toggle right to select menu items or go to the next menu (Move). Increases the parameters of the selected menu item (Adjust).
4	Toggle Up		Toggle up to select menu items (Move).
5	Toggle Down		Toggle down to select menu items (Move).

## Chapter 6 OSD Setup

This chapter provides you with essential information on OSD Setup.

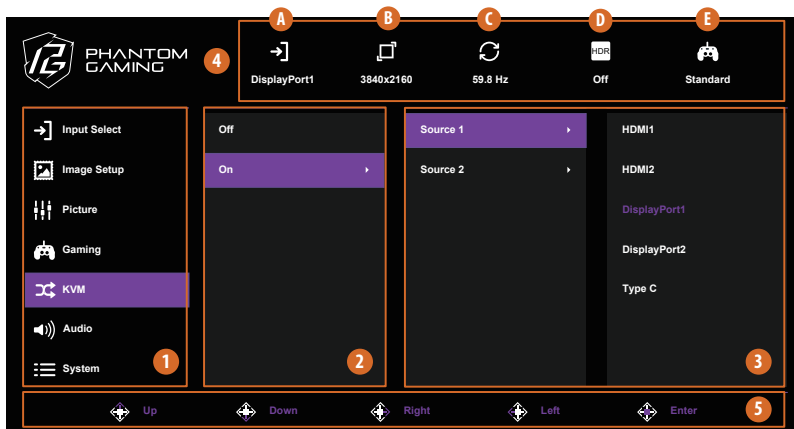


**Important**

All information is subject to change without prior notice.

### 6.1 Accessing the OSD Menu

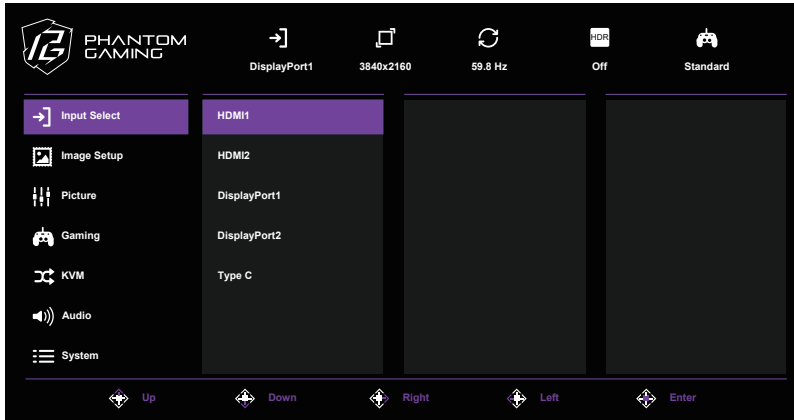
After you press the Menu button, the OSD menu appears on the lower right corner of your monitor screen.



No.	Item	Description
1	Main Menu Item	Displays the main menu items.
2	Sub Menu Item	Displays the sub menu items.
3	Sub Menu	Displays the sub sub-menu.
4	Current Status	Displays the current settings.
		A Current input source
		B Current resolution
		C Refresh rate (by the input source)
		D HDR status (by the input source)
		E Current scene mode
5	OSD Key	Follow the key guide displayed on the bottom of the OSD screen to move or select (adjust) OSD settings.

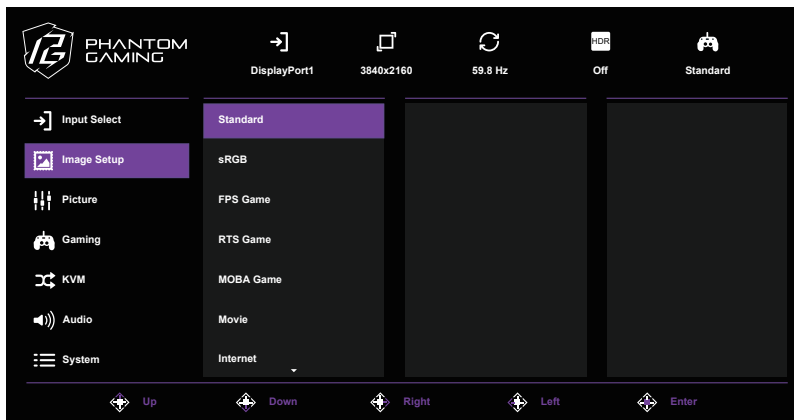
## 6.2 OSD Menus

### Function: Input Select



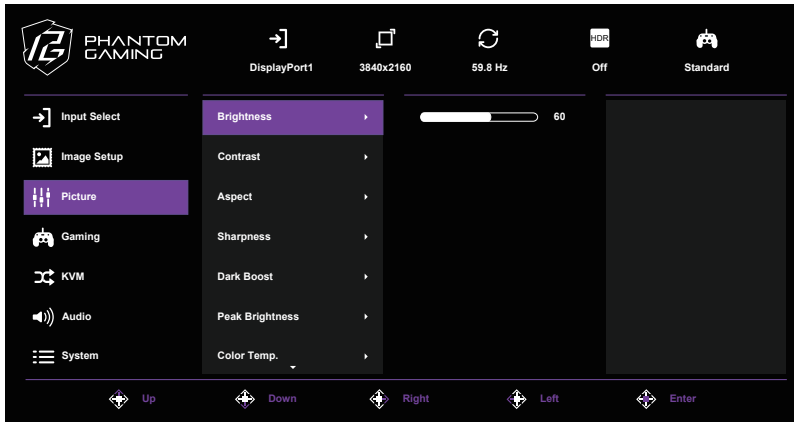
Main Menu Item	Sub Menu Item	Description
Input Select	HDMI1	Select an available input source.
	HDMI2	
	DisplayPort1	
	DisplayPort2	
	Type C	

## Function: Image Setup



Main Menu Item	Sub Menu Item	Description
Image Setup	Standard	This scene mode is for document editing.
	sRGB	Select this mode for viewing photos and graphics from PCs.
	FPS Game	Select this mode for First Person Shooter game playing.
	RTS Game	Select this mode for Real-Time Strategy (RTS) playing.
	MOBA Game	Select this mode for multiplayer online battle arena game playing.
	Movie	Select this mode for movie watching.
	Internet	Select this mode for browsing websites.
	User	Customized picture mode settings
Image Setup (when HDR is enabled)	TrueBlack HDR400	Select this mode for displaying HDR videos or games which meet the DisplayHDR 400 True Black standard.
	Movie	Select this mode for movie watching.
	Game	Select this mode for First Person Shooter game playing.

## Function: Picture

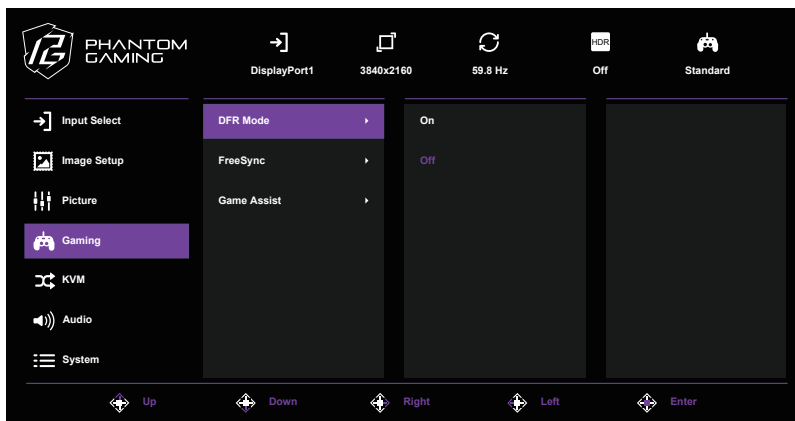


Main Menu Item	Sub Menu Item	Sub Menu	Description
Picture	Brightness	0-100	Brightness adjusts the luminance of the backlight.
	Contrast	0-100	Contrast adjusts the degree of difference between darkness and lightness on the monitor screen.
	Aspect	4:3	Select the aspect ratio of the monitor.
		5:4	
		16:9	
		16:10	
	Sharpness	0-100	Sharpness improves the clarity of the displayed images outline and produces high-quality visuals on the screen.
Dark Boost	0-100	This boosts the amplitude of the dark color levels of the display	
Peak Brightness	Low	Adjust the maximum brightness for a brighter screen.	
	High		

Picture	Color Temp.	Cold	Decreases the color temperature. Select Cold to enhance blue color of an image.			
		Cool	Decreases the color temperature. The screen appears cooler with a blue tint.			
		Normal	Loads the monitor's default color settings.			
		Warm	Increases the color temperature. The screen appears warmer with a red/ yellow tint.			
		User Color	Red	0-100	Customize the color temperature by adjusting the red (R), green (G), or blue (B) level according to your preference.	
	Green		0-100			
	Blue		0-100			
	6-axis Color	Hue	Red	0-100	Adjust the tint of each color (red, green, blue, cyan, magenta, and yellow).	
			Green	0-100		
			Blue	0-100		
			Cyan	0-100		
			Magenta	0-100		
			Yellow	0-100		
		Saturation	Red	0-100	Adjust the color depth of each color (red, green, blue, cyan, magenta, and yellow).	
			Green	0-100		
			Blue	0-100		
			Cyan	0-100		
			Magenta	0-100		
	Color Space	sRGB	This standard RGB color space is commonly used for the vast majority of web-based images.			
		Adobe RGB	This mode is ideal for high-end photography and color-critical work.			
DCI-P3		This mode is recommended for cinema-quality footage.				
BT-2020		This mode is optimized for display medical images, such as X-rays.				
Normal		This mode is used for most applications.				

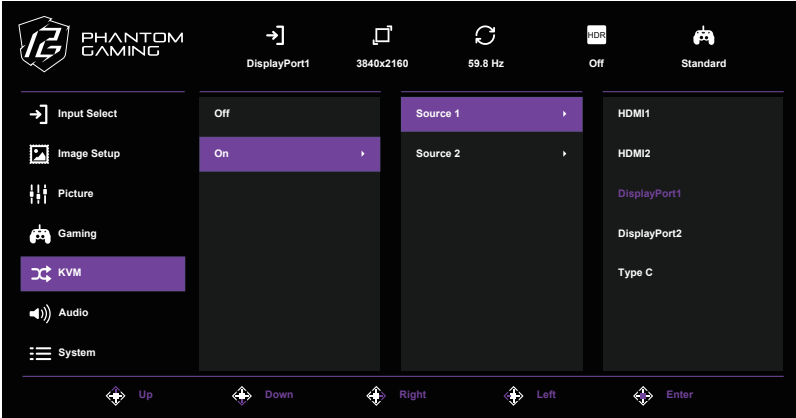
Picture	RGB Range	Auto	The monitor can detect the input signal color range automatically. If the colors are not displayed correctly, users can manually change the color range options.
		Full	
		Limited	
	Low Blue Light	0-100	Adjust the Low Blue light value of the display according to your preference

## Function: Gaming



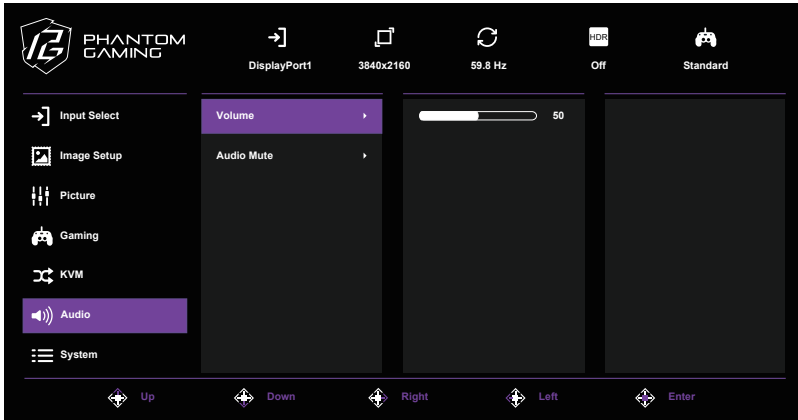
Main Menu Item	Sub Menu Item	Sub Menu	Description		
Gaming	DFR Mode	Off	Enables users to set the DFR (Dynamic Frequency and Resolution) On or Off.		
		On			
	FreeSync	Off	Enables users to set the FreeSync On or Off.		
		On			
	Game Assist	Aim Point	Style	Off	Turn off the Aim Point function, or select an Aim Point mode.
				Mode 1	
				Mode 2	
				Mode 3	
				Mode 4	
			Mode 5		
Sniper Scope		Off			Zooms in to make it easier to target when shooting.
	On	1.5X zoom			
		2X zoom			
4X zoom					
Refresh Rate Num	Top Right	Displays the current Refresh rate in the corner you prefer.			
	Top Left				
	Bottom Left				
	Bottom Right				
	Off				

## Function: KVM



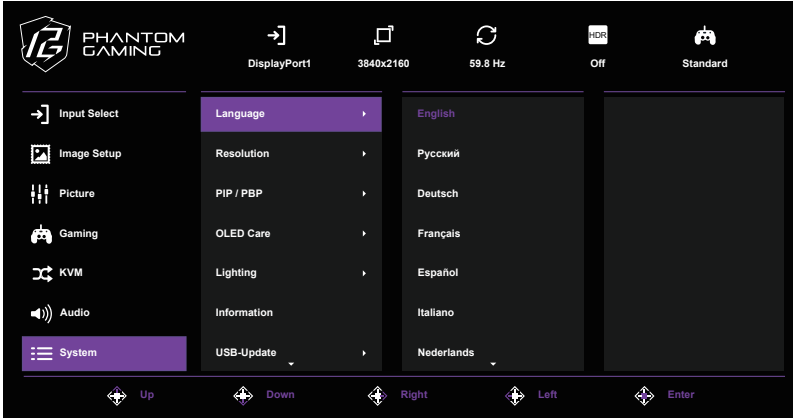
Main Menu Item	Sub Menu Item	Sub Menu	Description	
KVM	Off	–	Disables the KVM feature.	
	On	Source1	HDMI1	The KVM function allows users to see both input sources at one time in the PIP/PBP mode.
			HDMI2	
			DisplayPort1	
			DisplayPort2	
			Type C	
		Source2	HDMI1	Please note that the KVM feature is only supported when one source is from DP/HDMI and the other is from Type-C.
			HDMI2	
			DisplayPort1	
			DisplayPort2	
Type C				

## Function: Audio



Main Menu Item	Sub Menu Item	Sub Menu	Description
Audio	Volume	0-100	Adjust the volume level.
	Audio Mute	On	Enables the mute function.
		Off	Disables the mute function.

## Function: System



Main Menu Item	Sub Menu Item	Sub Menu		Description		
System	Language	–		Select the OSD language.		
	Resolution	On		When enabled, users will see an Optimal Resolution Notification for around 30 seconds, if it is not the optimal setting.		
		Off				
	PIP / PBP	PIP	OFF		Disables the PIP feature.	
			Source	HDMI1		Select the second video source displaying in a sub window under the PIP mode.
				HDMI2		
				DisplayPort 1		
				DisplayPort 2		
		Type C				
		PIP Size	Small	Select the size of the sub window under the PIP mode.		
Medium						
Large						
Menu Position	Top Left	Users can change the position where the sub window appears on the screen.				
	Top Right					
	Bottom Left					
	Bottom Right					

System	PIP / PBP	PIP	Display Switch		Use this item to switch the main source and sub source. The sub source is displayed in the sub screen by default.	
			Audio Switch	HDMI1	Select the second audio source under the PIP mode.	
				HDMI2		
				DisplayPort 1		
				DisplayPort 2		
		Type C				
		PBP	OFF		Disables the PBP feature.	
			Source	HDMI1	Select the second video source displaying in a sub window under the PBP mode.	
				HDMI2		
				DisplayPort 1		
	DisplayPort 2					
	Type C					
PBP Size	Full		Select the PBP window of aspect ratio or full screen.			
	Aspect					
Display Switch		Use this item to switch the main source and sub source. The sub source is displayed in the right screen by default.				
Audio Switch	HDMI1	Select the second audio source under the PBP mode.				
	HDMI2					
	DisplayPort 1					
	DisplayPort 2					
	Type C					
OLED Care	Pixel Clear	Off	Manually enable the Pixel Clear feature and run Pixel Clear immediately when needed to prevent burn-in. It resumes if interrupted. In Standby mode, a Pixel Clear reminder will pop up every 4 hours of use.			
		On				

System	OLED Care	Screen Move	Off		Enable the Screen Move feature to shift the position of the image on your screen slightly at regular intervals and protect your screen from burn-in.	
			On			
		Logo Auto Dimming	Off			Enable the Logo Auto Dimming feature to automatically adjust the brightness of static logos on the screen to reduce the risk of burn-in.
			On			
	Lighting	Off	–		Disables the LED lighting effects on the back of the monitor.	
		On	Mode	Scroll	Select the lighting mode for the LED lighting on the back of the monitor.	
				Breathe		
				Always Bright		
		Color	Color	Mixed	Select the lighting color for the LED lighting on the back of the monitor.	
				Red		
	Green					
	Blue					
Information	Resolution			Show the information of the main image source.		
	H. Frequency					
	V. Frequency					
	Pixel Clock					
USB-Update	On			Enable this option before using the USB drive for updating the firmware.		
	Off					
OSD Timeout	5			Select how many seconds when the OSD menu remains visible on the screen before it automatically vanishes.		
	15					
	30					
	60					

System	Menu Transparency	On	Enable or disable the OSD menu transparency feature.
		Off	
	LED Indicator Control	On	Enable or disable the LED Indicator Control feature.
		Off	
	Auto Power Off	On	Enable or disable the Auto Power off feature.
		Off	
	Timed Shutdown	30 Minutes	Turn on the timed shutdown, and the display will be automatically turned off after 30, 45, 60, or 120 minutes.
		45 Minutes	
		60 Minutes	
		120 Minutes	
		Off	
	ECO Mode	Standard	ECO mode adjusts the settings to reduce power consumption. Power consumption ratio: Standard 100%, Optimize 85%, and Conserve 70%
		Optimize	
		Conserve	
	DP 1.1	On	Enable or disable the DP 1.1 feature.
		Off	
	Auto Source	On	Use this option to automatically search for available input sources.
Off			
DDC/CI	On	Turn ON/OFF DDC/CI Support.	
	Off		
DSC	On	Turn ON/OFF DSC Support.	
	Off		
Reset All Settings	–	Restore all OSD settings to factory defaults.	

## Chapter 7 Troubleshooting

Problem and Question	Possible Solution
Power LED is not on	<ul style="list-style-type: none"> <li>• Check if the Power button is pressed and the monitor is power on.</li> <li>• Power Cord should be connected.</li> </ul>
No signal	<ul style="list-style-type: none"> <li>• Check that the video cable is properly connected. If the connector is loose, tighten the connector's screws.</li> <li>• Check the video cable's connection pins for damage.</li> </ul>
Picture is fuzzy	<ul style="list-style-type: none"> <li>• Adjust the Contrast and Brightness Controls.</li> </ul>
Picture bounces or a wave pattern is present in the picture	<ul style="list-style-type: none"> <li>• Move electrical devices that may cause electrical interference.</li> </ul>
The power LED is ON but there's no video or no picture.	<ul style="list-style-type: none"> <li>• Computer Power Switch should be in the ON position.</li> <li>• Computer Graphics Card should be snugly seated in its slot.</li> <li>• Make sure Monitor's video cable is properly connected to the computer.</li> <li>• Inspect Monitor's video cable and make sure none of the pins are bent.</li> </ul>
Missing one of the primary colors (RED, GREEN, or BLUE)	<ul style="list-style-type: none"> <li>• Inspect the Monitor's video cable and make sure that none of the pins are bent.</li> </ul>
Picture has color defects (white does not look white)	<ul style="list-style-type: none"> <li>• Adjust RGB color or select color temperature.</li> </ul>
Poor brightness or contrast	<ul style="list-style-type: none"> <li>• When the brightness of the screen lowers after being used for a certain period and the function of the display is affected, send it to our authorized service center for repair.</li> </ul>
Unable to open OSD menu.	<ul style="list-style-type: none"> <li>• Turn off your monitor, unplug the power cord and plug it back in, then power on the monitor.</li> </ul>

## Chapter 8 Safety Instructions

- Read the safety instructions carefully and thoroughly.
- All cautions and warnings on the device or User Guide should be noted.
- Refer servicing to qualified personnel only.

### Safety Information

- Make sure that the power voltage is within its safety range and has been adjusted properly to the value of 100~240V before connecting the device to the power outlet.
- To avoid electrical shock, always use the power cord and plug with a properly grounded power outlet.
- If the power cord comes with a 3-pin plug, do not disable the protective earth pin from the plug.
- Always disconnect the power cord or switch the wall socket off if the device would be left unused for a certain time to achieve zero energy consumption.
- Place the power cord in a way that people are unlikely to step on it. Do not place anything on the power cord.
- If this device comes with an adapter, use only the ASRock provided AC adapter approved for use with this device.
- To prevent fire or shock hazard, never expose the monitor to rain or moisture.
- Never try to open the monitor cabinet. The dangerous high voltages inside the monitor may result in serious physical injury.
- Never place this product near or over a radiator or heat source unless proper ventilation is provided.
- Do not overload power strips and extension cords. Overloading can result in fire or electric shock.
- Never push objects or spill liquid of any kind into the slots on the monitor cabinet.

## European Union:



Batteries, battery packs, and accumulators should not be disposed of as unsorted household waste. Please use the public collection system to return, recycle, or treat them in compliance with the local regulations.

## California, USA:



The button cell battery may contain perchlorate material and requires special handling when recycled or disposed of in California. For further information, please visit: <https://dtsc.ca.gov/perchlorate/>

## Canadian Department of Communications Statement

This digital apparatus does not exceed the Class B limits for radio noise emissions from digital apparatus set out in the Radio Interference Regulations of the Canadian Department of Communications.

This class B digital apparatus complies with Canadian ICES-003.

This Class B digital apparatus meets all requirements of the Canadian Interference - Causing Equipment Regulations.

Cet appareil numérique de la classe B respecte toutes les exigences du Règlement sur le matériel brouiller du Canada.

## Environment

- To reduce the possibility of heat-related injuries or of overheating the device, do not place the device on a soft, unsteady surface or obstruct its air ventilators.
- Use this device only on a hard, flat and steady surface.
- To prevent the device from tipping over, secure the device to a desk, wall or fixed object with an anti-tip fastener that helps to properly support the device and keep it safe in place.
- To prevent fire or shock hazard, keep this device away from humidity and high temperature.
- Do not leave the device in an unconditioned environment with a storage temperature above 60°C or below -20°C , which may damage the device.
- The maximum operating temperature is around 40°C .
- When cleaning the device, be sure to remove the power plug. Use a piece of soft cloth rather than industrial chemical to clean the device. Never pour any liquid into the opening; that could damage the device or cause electric shock.
- Always keep strong magnetic or electrical objects away from the device.
- If any of the following situations arises, get the device checked by service personnel:
  - The power cord or plug is damaged.
  - Liquid has penetrated into the device.
  - The device has been exposed to moisture.
  - The device does not work well or you cannot get it working according to the User Guide.
  - The device has dropped and damaged.
  - The device has obvious sign of breakage.

## Warning!

Overuse of screens is likely to affect eyesight.

## Recommendations:

Take a 10-minute break for every 30 minutes of screen time.

Children under 2 years of age should have no screen time. For children aged 2 years and over, screen time should be limited to less than one hour per day.

## CE Conformity



This device complies with the requirements set out in the Council Directive on the Approximation of the Laws of the Member States relating to Electromagnetic Compatibility (2014/30/EU), Low-voltage Directive (2014/35/EU), ErP Directive (2009/125/EC) and RoHS directive (2011/65/EU). This product has been tested and found to comply with the harmonized standards for Information Technology Equipment published under Directives of Official Journal of the European Union.

## ASRock Contact Information

ASRock EUROPE B.V.

Address: Bijsterhuizen 11-11, 6546 AR Nijmegen, The Netherlands

Phone: +31-24-345-44-33

## Technical Support

Phone: +31-24-345-44-33

Online Support <https://event.asrock.com/tsd.asp>

## FCC-B Radio Frequency Interference Statement



This equipment has been tested and found to comply with the limits for a Class B digital device, pursuant to Part 15 of the FCC Rules. These limits are designed to provide reasonable protection against harmful interference in a residential installation. This equipment generates, uses and can radiate radio frequency energy and, if not installed and used in accordance with the instruction manual, may cause harmful interference to radio communications. However, there is no guarantee that interference will not occur in a particular installation. If this equipment does cause harmful interference to radio or television reception, which can be determined by turning the equipment off and on, the user is encouraged to try to correct the interference by one or more of the measures listed below:

- Reorient or relocate the receiving antenna.
- Increase the separation between the equipment and receiver.
- Connect the equipment into an outlet on a circuit different from that to which the receiver is connected.
- Consult the dealer or an experienced radio/television technician for help.

### Notice 1

The changes or modifications not expressly approved by the party responsible for compliance could void the user's authority to operate the equipment.

### Notice 2

Shielded interface cables and AC power cord, if any, must be used in order to comply with the emission limits.

This device complies with Part 15 of the FCC Rules. Operation is subject to the following two conditions:

- This device may not cause harmful interference
- This device must accept any interference received, including interference that may cause undesired operation.

## **ASRock Contact Information**

ASRock America, Inc.

Address: 13848 Magnolia Ave, Chino, CA91710, U.S.A.

Phone: +1-909-590-8308

## **Technical Support**

Phone: +1-909-590-8308

Online Support <https://event.asrock.com/tsd.asp>

## WEEE Statement

Under the European Union (“EU”) Directive on Waste Electrical and Electronic Equipment, Directive 2012/19/EU, products of “electrical and electronic equipment” cannot be discarded as municipal waste anymore and manufacturers of covered electronic equipment will be obligated to take back such products at the end of their useful life.



## Chemical Substances Information

In compliance with chemical substances regulations, such as the EU REACH Regulation (Regulation EC No. 1907/2006 of the European Parliament and the Council), ASRock provides the relevant information at:

<https://asrock.com/general/about.asp?cat=Responsibility>

## RoHS Statement

### Japan JIS C 0950 Material Declaration

A Japanese regulatory requirement, defined by specification JIS C 0950, mandates that manufacturers provide material declarations for certain categories of electronic products offered for sale after July 1, 2006.



The terms HDMI, HDMI High-Definition Multimedia Interface, HDMI trade dress and the HDMI Logos are trademarks or registered trademarks of HDMI Licensing Administrator, Inc.



## **Copyright and Trademarks Notice**

Copyright © ASRock Inc. All rights reserved. The ASRock logo used is a registered trademark of ASRock Inc. All other marks and names mentioned may be trademarks of their respective owners. No warranty as to accuracy or completeness is expressed or implied. ASRock reserves the right to make changes to this document without prior notice.

## **Technical Support**

If a problem arises with your product and no solution can be obtained from the user's manual, please contact your place of purchase or local distributor. Alternatively, please visit <https://www.asrock.com> for further guidance.

## **Product information for EU energy label**

<https://eprel.ec.europa.eu/screen/product/electronicdisplays/2145753>

## **Copyright Notice**

No part of this documentation may be reproduced, transcribed, transmitted, or translated in any language, in any form or by any means, except duplication of documentation by the purchaser for backup purpose, without written consent of ASRock Inc.

Products and corporate names appearing in this documentation may or may not be registered trademarks or copyrights of their respective companies, and are used only for identification or explanation and to the owners' benefit, without intent to infringe.

## **Disclaimer**

Because the monitor specifications and the firmware might be updated, the content of this documentation will be subject to change without notice. In case any modifications of this documentation occur, the updated version will be available on ASRock's website without further notice. If you require technical support related to this monitor, please visit our website for specific information about the model you are using. You may find the latest monitor support list on ASRock's website as well.

ASRock Website: <http://www.asrock.com>

Version 1.0

Published May 2026

Copyright©2026 ASRock INC. All rights reserved.