

ASRock®



PG32QFT

User Manual

Contents

Chapter 1 Introduction	1
1.1 Package Contents	1
Chapter 2 Setting up the Monitor	2
2.1 Attaching the Stand Arm and Base	2
2.2 Detaching the Stand Arm and Base	5
2.3 Making Connections	6
2.4 Adjusting the Viewing Angle	11
2.5 Using the Security Slot	13
Chapter 3 Monitor Overview	14
3.1 Front View	14
3.2 Rear View	15
3.3 Bottom View	16
Chapter 4 Specifications	17
4.1 Monitor Specifications	17
4.2 Supported Timing List	19
Chapter 5 Operating the Monitor	21
5.1 Powering On/Off the Monitor	21
5.2 Hot Keys	22
5.3 OSD Keys	23
Chapter 6 OSD Setup	24
6.1 Accessing the OSD Menu	24
6.2 OSD Menus	25

Chapter 7 Troubleshooting	34
Chapter 8 Safety Instructions	35

Chapter 1 Introduction

Thank you for purchasing PG32QFT, a reliable monitor produced under ASRock's consistently stringent quality control. It delivers excellent performance with robust design conforming to ASRock's commitment to quality and endurance.

1.1 Package Contents

Your monitor ships with the components shown below. Please make sure that you have received all the components and contact your place of purchase or local distributor if any of the items is damaged or missing.

- ASRock PG32QFT Monitor
- ASRock PG32QFT Stand Arm
- ASRock PG32QFT Stand Base
- ASRock PG32QFT Quick Start Guide
- HDMI Cable
- DisplayPort Cable
- Wi-Fi Antenna Cables
- Power Cord
- PG Cable Sleeve



Monitor



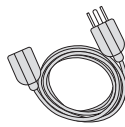
HDMI Cable



DisplayPort Cable



Stand Arm



Power Cord



Wi-Fi Antenna Cables



Stand Base



PG Cable Sleeve



Quick Start Guide



Important

Package contents may vary by country.

The included power cord is exclusively for this monitor and should not be used with other products.

Chapter 2 Setting up the Monitor

2.1 Attaching the Stand Arm and Base

Step 1. Installing the Stand Base

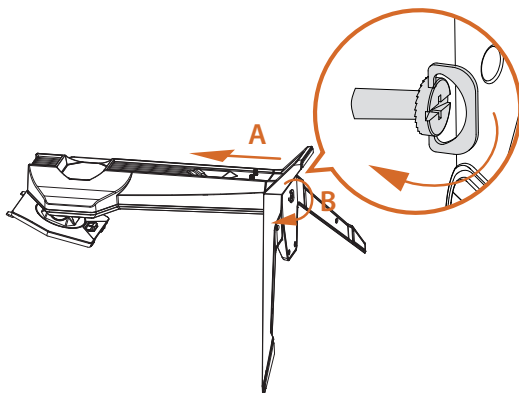
- Leave the monitor in its protective foam packaging.



Important

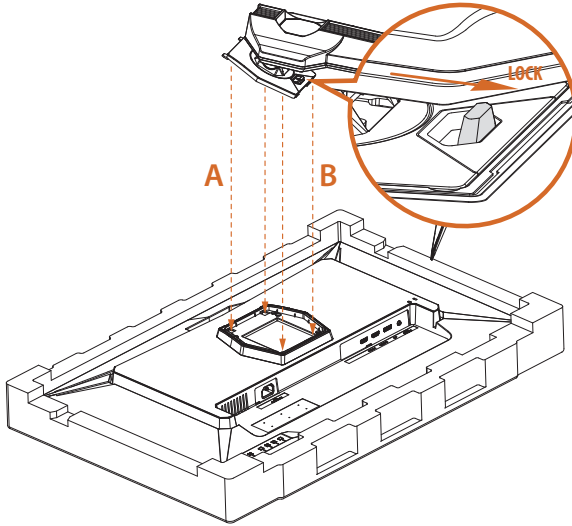
Place the monitor in its protective foam packaging, or on a soft, protected surface to avoid scratching the display screen.

- Insert the stand base to the stand arm and tighten the screw at the bottom of the stand base.



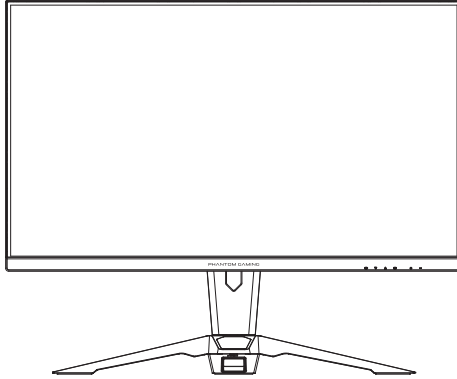
Step 2. Installing the Stand Arm

- Align and slide the two tabs on the stand arm to the groove on the back of the monitor until it snaps into place.
- Push the stand lock to the locked position to ensure the stability.



Step 3. Placing the Monitor Upright

Lift the monitor carefully out of the foam packaging and into its upright position on a flat, stable surface.



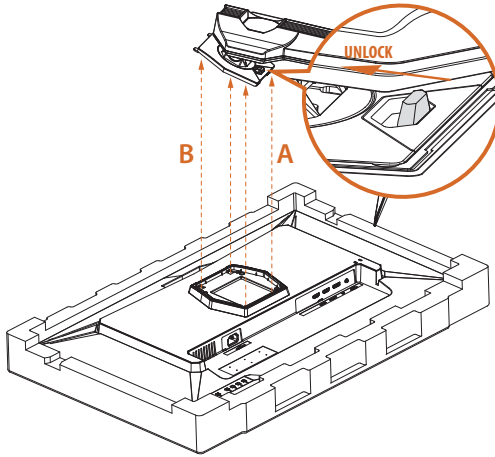
Important

Be careful not to touch or press the display screen area when lifting or moving the monitor to avoid any scratches or damage.

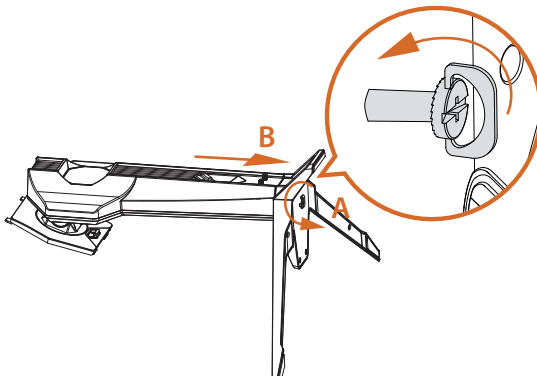
2.2 Detaching the Stand Arm and Base

Before removing the stand, be sure to turn off the monitor and disconnect all cables.

1. Push the stand lock to the unlock position. Lift upward to disengage the tabs on the stand arm from the monitor. Remove the stand (arm and base).



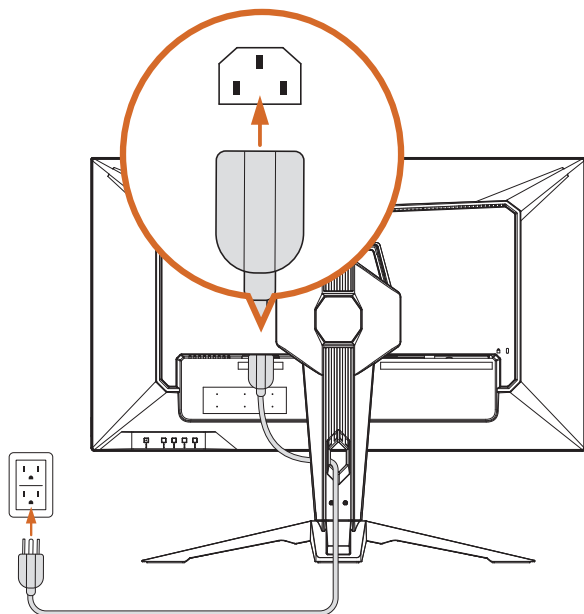
2. Release the screw at the bottom of the stand base. Pull to remove the stand base from the stand arm.



2.3 Making Connections

Connecting the Power Cord

Connect the power cord to the monitor and to an electrical wall outlet. Pass the cable through the cable management hole on the stand arm.



Important

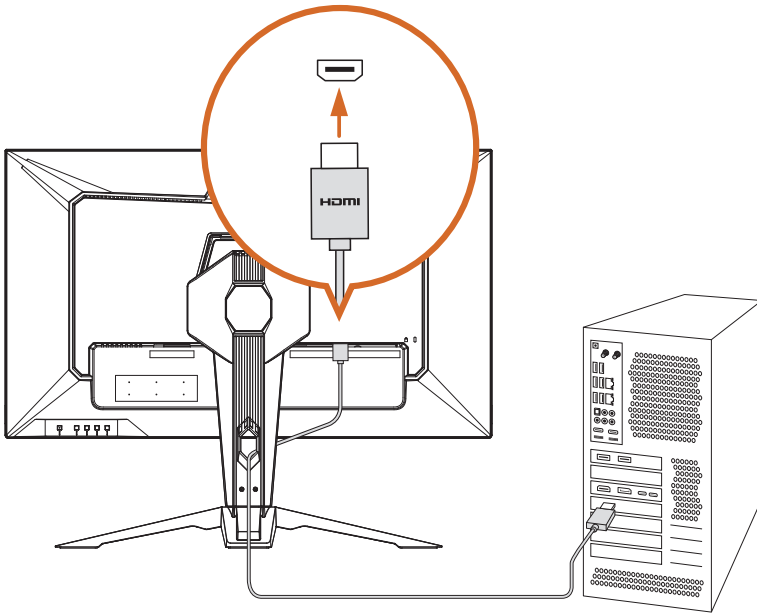
Please make sure to make a grounding connection before connecting the power plug to the power source.

Additionally, when disconnecting the grounding connection, be sure to disconnect the power plug from the power source before proceeding.

Connecting the Monitor to the PC / Laptop

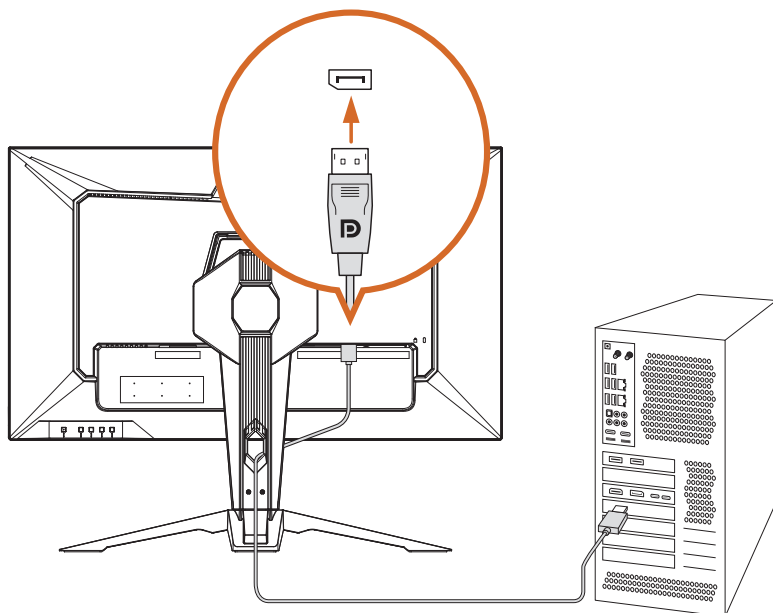
HDMI Connection

Connect one end of the HDMI cable to the HDMI connector on the rear side of the monitor. Then connect the other end to the HDMI connector on the PC or laptop. Pass the cable through the cable management hole on the stand arm.



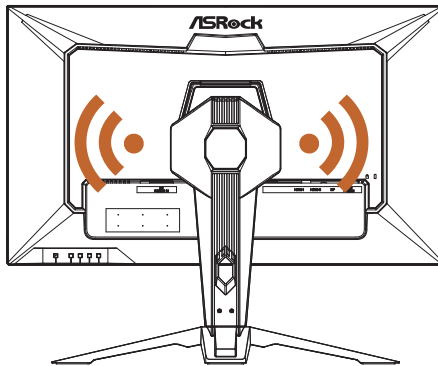
DisplayPort Connection

Connect one end of the DisplayPort cable to the DisplayPort input connector on the rear side of the monitor. Then connect the other end to the DisplayPort output connector on the PC or laptop. Pass the cable through the cable management hole on the stand arm.



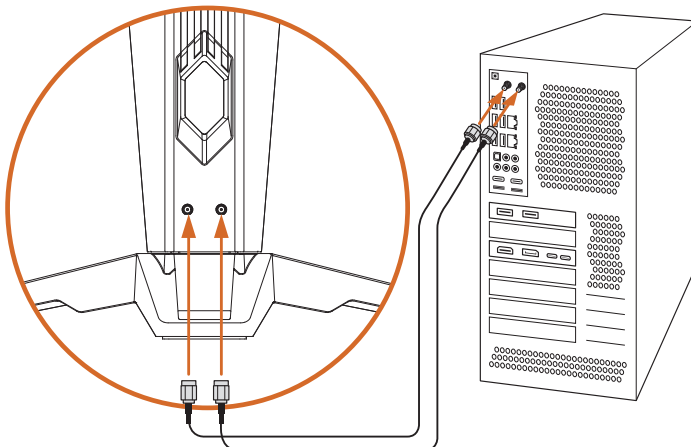
Antenna Cable Connection

This monitor has a built-in Wi-Fi antenna. Placed on the table, the integrated antenna on the back of the monitor provides great Wi-Fi connectivity up to 7dBi peak gain. If your motherboard comes with built-in Wifi, use the provided antenna cables to turn your monitor a powerful wireless antenna.



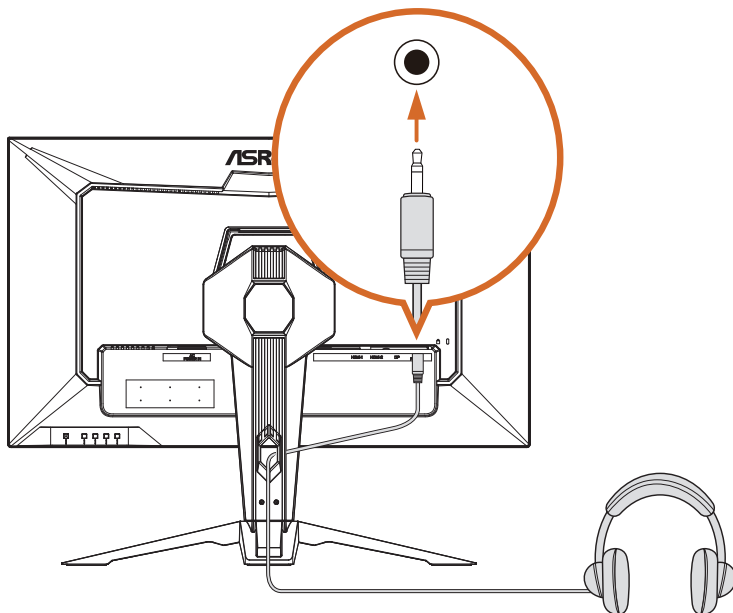
Two antenna ports are located on the back of the monitor stand. Connect one end of the antenna cable to the antenna connector on the stand and tighten it firmly. Then connect the other end to the antenna port on the PC or laptop.

* The transmission speed may vary according to the environment.



Audio Cable Connection

You can connect headphones to the headphone jack on the bottom side of the monitor. Pass the cable through the cable management hole on the stand arm.

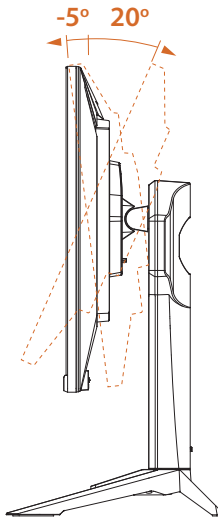


2.4 Adjusting the Viewing Angle

Tilt Angle Adjustment

For optimal viewing, it is recommended to look at the full face of the monitor, and then adjust the monitor's angle to your own preference.

Hold the stand firmly with one hand while tilting the monitor forwards or backwards with the other hand so you do not topple the monitor when you adjust the monitor's angle.

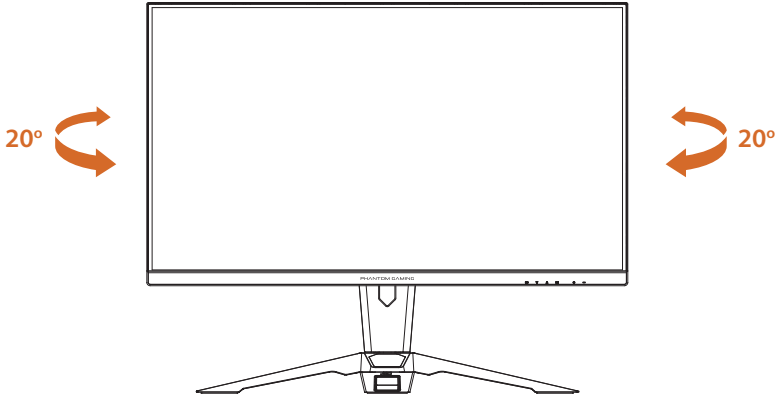


Important

Be careful not to touch or press the display screen area when adjusting the monitor.

Swivel Angle Adjustment

You are able to swivel the monitor for the angle.

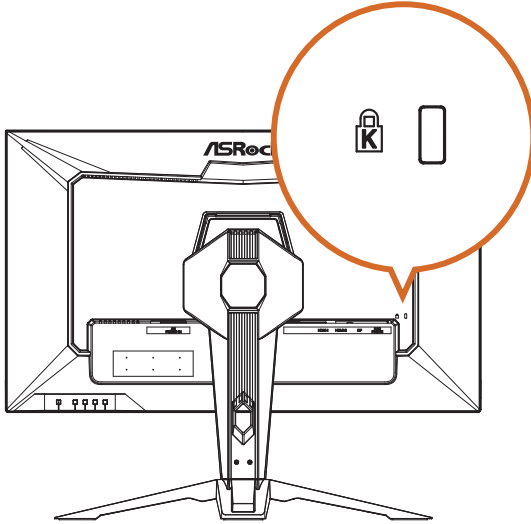


Important

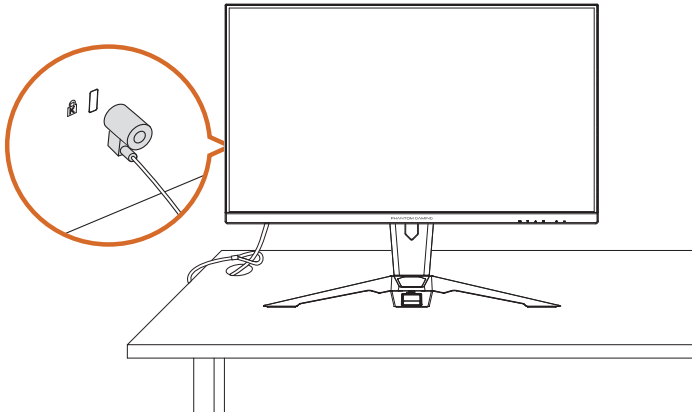
Be careful not to touch or press the display screen area when adjusting the monitor.

2.5 Using the Security Slot

This monitor supports a Kensington-type security slot. The Kensington lock can be used to secure the monitor and prevent it from being stolen in public locations.

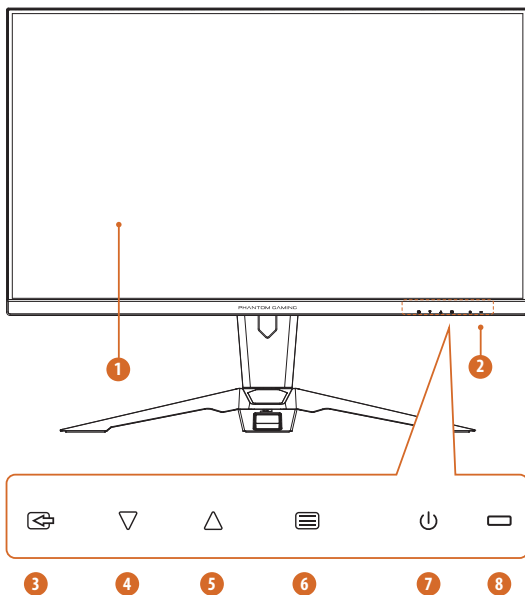


NOTE: Kensington lock is not included. You need to purchase an additional locking device.



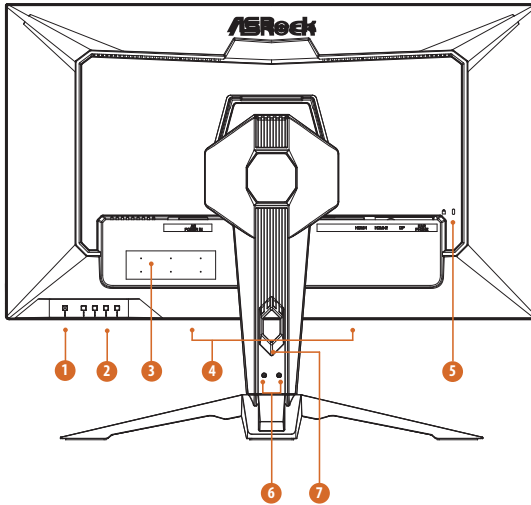
Chapter 3 Monitor Overview

3.1 Front View



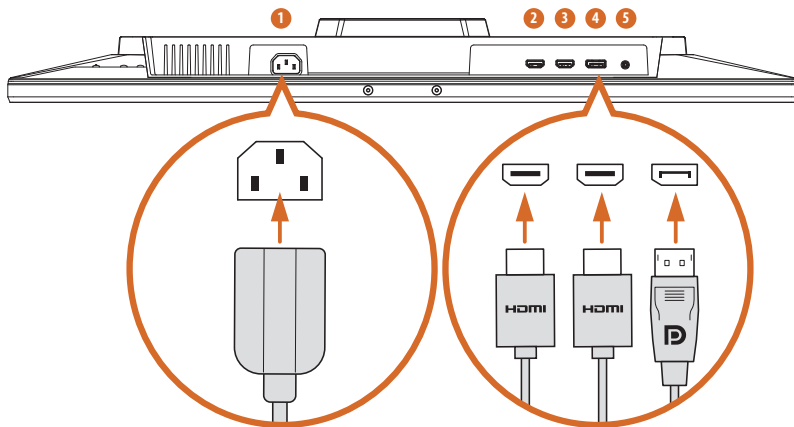
No.	Item
1	Display screen
2	Front Panel Controls (Hot Keys/OSD Keys) The labels on the front panel correspond to the buttons on the back.
3	Input Source / Exit
4	Mode / Decrease (-)
5	Volume / Increase (+)
6	Menu / Enter
7	Power button
8	LED Status Indicator

3.2 Rear View



No.	Item	Description
1	Power On/Off button	<p>Press to turn the monitor on. Press and hold for 3 seconds to turn the monitor off.</p> <p>The color definition of the power indicator:</p> <ul style="list-style-type: none"> • Solid Blue - Power on mode • Solid Amber - Standby mode • LED Off - Off mode
2	Hot Keys/OSD Keys	Please see "Hot Keys" on page 22 and "OSD Keys" on page 23 for more information.
3	Serial label	Lists the the model name of the monitor and the power rating information.
4	Built-in Speakers	The monitor is equipped with built-in speakers for audio output.
5	Kensington Lock slot	Secures monitor with security lock (security lock not included).
6	Antenna ports	Connect the Wi-Fi antenna cables.
7	Cable management hole	Organize cables by passing them through the hole.

3.3 Bottom View



No.	Item	Description
1	AC-IN port	Connect the power cord.
2	HDMI-1 port	Connect your computer with the HDMI cable.
3	HDMI-2 port	Connect your computer with the HDMI cable.
4	DisplayPort	Connect your computer with the DisplayPort cable.
5	Audio output	Connect your headphones with the audio cable. (Purchase separately)

Chapter 4 Specifications

4.1 Monitor Specifications

Model	PG32QFT	
Display	Panel Size	32"
	Viewing Area	698 x 393 (H x V)
	Aspect Ratio	16:9
	Panel Type	IPS
	Viewing Angle	178°(H) / 178°(V)
	Resolution	QHD (2560 x 1440)
	Pixel Pitch	0.2727 (mm)
	Curvature	Flat
	Refresh Rate	180Hz
	Response Time	1ms (GTG)
		1ms (MPRT)
	Brightness (typ.)	400 nits (Typ.)
	Color Space	97% DCI-P3 / 151% sRGB
	Display Colors	16.7M (8 Bit)
	Contrast Ratio	1000:1 (Typ.)
	Display Surface	Anti-Glare
	HDR	HDR400
	Flicker-free	YES
	Low Blue Light	YES
Adaptive Sync Technology	AMD FreeSync™	
I/O Ports	HDMI	2 x HDMI™ 2.0
	DisplayPort	1 x DisplayPort™ 1.4
	Audio Out	1 x Headphone Out
	Speaker	2W x 2
Digital Signal Frequency	HDMI	30kHz~216KHz (H); 48Hz~144Hz (V)
	DP	265kHz~265KHz (H); 48Hz~180Hz (V)

Power Consumption	Power Consumption (Max)	70W
	Power Consumption (Typ.)	31 W
	Power Saving Mode	0.5 W
	Power Off Mode	0.3 W
	Voltage	90~264Vac, 50/60Hz, 1.5A
Mechanical Design	Tilt Adjustment	-5°~+20°
	Swivel Adjustment	-20° ~ +20°
	Height Adjustment	0~100 mm
	Wifi Antenna	YES
	VESA Mount	100x100 mm (4 screw holes) M4*12 mm
Dimension (W x H x D)	Dimension with Stand	714 x 585 x 279 mm
	Dimension without stand	714 x 424 x 56 mm
Weight	Net Weight with Stand	10 kg
	Net Weight without Stand	7.4 kg
	Gross Weight	11.4 kg
Environment	Operating	<ul style="list-style-type: none"> • Temperature: 0°C to 40°C • Humidity: 20% to 80%, non-condensing • Altitude: 0 ~ 3048m
	Storage	<ul style="list-style-type: none"> • Temperature: -20°C to 60°C • Humidity: 20% to 80%, non-condensing • Altitude : 0~12192m


4.2 Supported Timing List


Standard	Resolution	PG32QFT	
		HDMI	DP
IBM MODE DOS	720x400 @70Hz	V	V
VGA	640x480 @60Hz	V	V
	640x480 @67Hz	V	V
	640x480 @72Hz	V	V
	640x480 @75Hz	V	V
SVGA	800x600 @56Hz	V	V
	800x600 @60Hz	V	V
	800x600 @72Hz	V	V
	800x600 @75Hz	V	V
XGA	1024x768 @60Hz	V	V
	1024x768 @70Hz	V	V
	1024x768 @75Hz	V	V
SXGA	1280x1024 @60Hz	V	V
	1280x1024 @75Hz	V	V
WXGA+	1440x900 @60Hz	V	V
WSXGA+	1680x1050 @60Hz	V	V
----	1152x864 @75Hz	V	V
	1280x960 @60Hz	V	V
	1280x720 @60Hz	V	V
QHD	2560x1440 @60Hz	V	V
	2560x1440 @120Hz	V	V
	2560x1440 @144Hz	V	V
	2560x1440 @180Hz	V	V

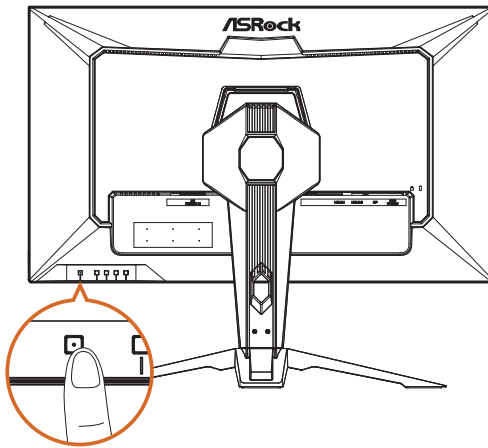
Video Timing Resolution	640x480P 59.94/60Hz 4:3	V	V
	720x480P 59.94/60Hz 16:9	V	V
	720x576P 50Hz 16:9	V	V
	1280x720P 50Hz 16:9	V	V
	1280x720P 59.94/60Hz 16:9	V	V
	1920x1080p 50Hz 16:9	V	V
	1920x1080P 59.94/60Hz 16:9	V	V
	1920x1080P 119.88/120Hz 16:9/1:1	V	V

Chapter 5 Operating the Monitor

5.1 Powering On/Off the Monitor

Press the Power button  to turn on the monitor. The power indicator lights up in solid blue to show that the monitor is ON.

To turn the monitor off, press and hold the Power button  about 3 seconds until the LED light on the Power button turns OFF.



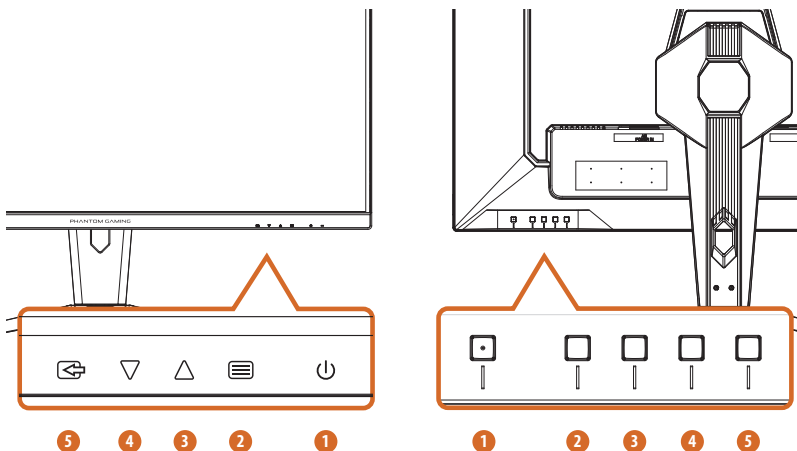
The color definition of the power indicator:

LED Indicator	Status	Description
Solid Blue	On	Solid blue light indicates the monitor is turned on.
Solid Amber	Standby	Solid amber light indicates the monitor is in standby mode.
LED Off	Off	No light indicates the monitor is turned off.

5.2 Hot Keys

When the OSD screen is off, press the control buttons on the rear side of the monitor to access the OSD menu, adjust volume, change the preset mode, or select the input source.






The labels on the front panel correspond to the buttons on the back.

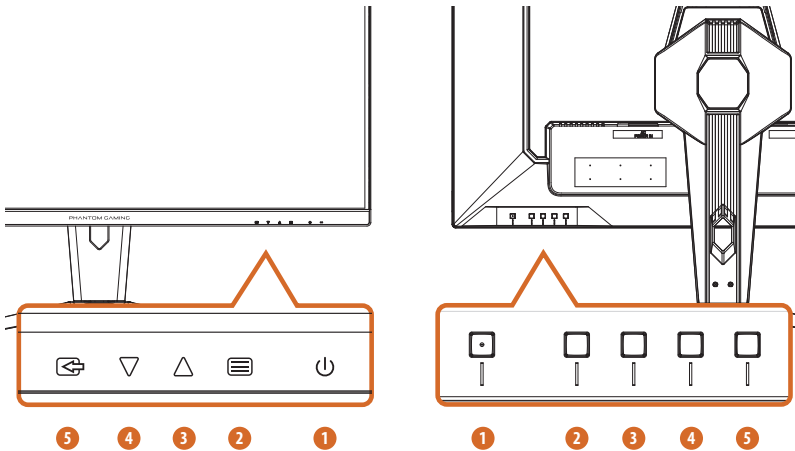







No.	Icon	Hot Key (When OSD is OFF)
1		POWER Press the power button to turn on/off the monitor.
2		MENU Activate the OSD Main Menu.
3		VOLUME Activate the Volume control.
4		MODE Activate the Presets Modes function.
5		INPUT SOURCE Select the input sources.

5.3 OSD Keys

When the OSD screen is on, press the control buttons on the rear side of the monitor to navigate the OSD menu and adjust the settings.

1. To access the OSD (On-Screen Display) menu, press the Menu button  to access the OSD main menu.
2. Use the Up  and Down  buttons to navigate through OSD menus and items.
3. Press the Enter button  to confirm the selection.
4. Press the Exit button  to exit the current menu.



No.	Icon	OSD Key (When OSD is ON)
1		POWER Press the power button to turn on/off the monitor.
2		ENTER Confirm the selection.
3		INCREASE (+) Move the option upwards or increase the option value.
4		DECREASE (-) Move the option downwards or decrease the option value.
5		EXIT Exit the current menu.

Chapter 6 OSD Setup

This chapter provides you with essential information on OSD Setup.

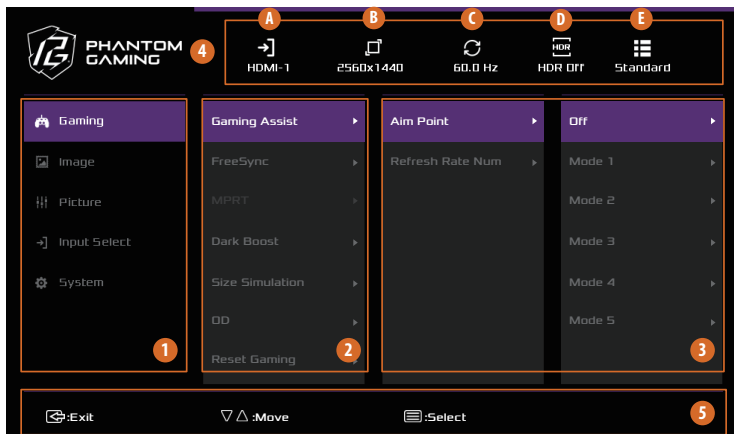


Important

All information is subject to change without prior notice.

6.1 Accessing the OSD Menu

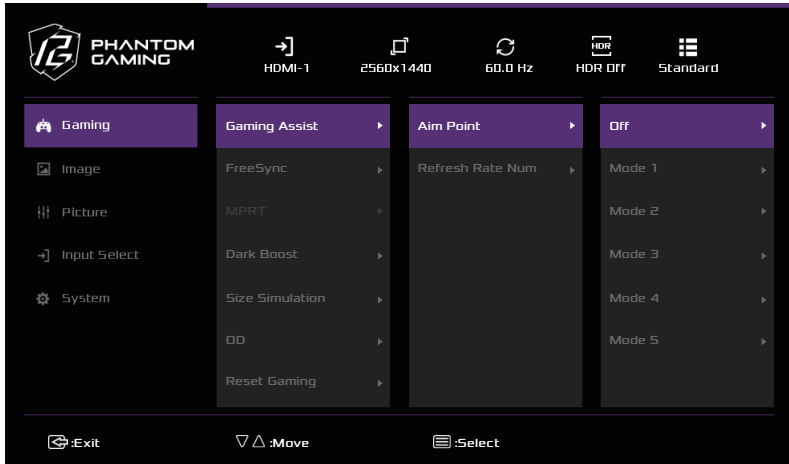
After you press the Menu button, the OSD menu appears on the lower right corner of your monitor screen.



No.	Item	Description		
1	Main Menu Item	Displays the main menu items.		
2	Sub Menu Item	Displays the sub menu items.		
3	Sub Menu	Displays the sub sub-menu.		
4	Current Status	Displays the current settings.	A	Current input source
			B	Current resolution
			C	Refresh rate (by the input source)
			D	HDR status (by the input source)
			E	Current scene mode
5	OSD Key	Follow the key guide displayed on the bottom of the OSD screen to move or select (adjust) OSD settings.		

6.2 OSD Menus

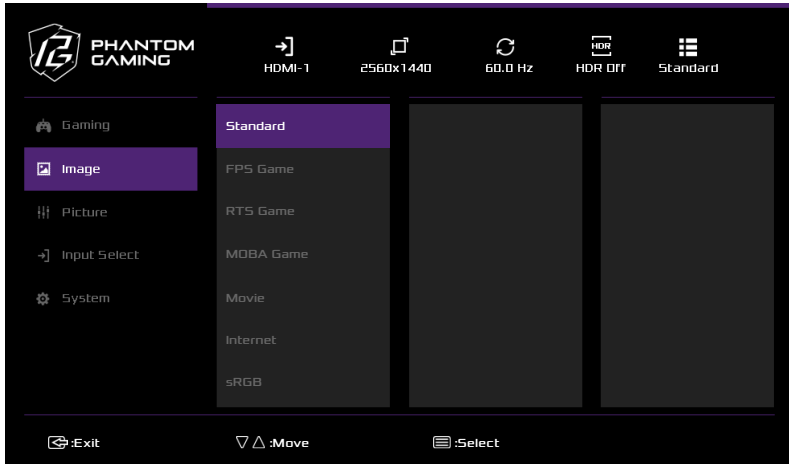
Function: Gaming



Main Menu Item	Sub Menu Item	Sub Menu	Description	
Gaming	Game Assist	Aim Point	Off	Turn off the Aim Point function, or select an Aim Point mode.
			Mode 1	
			Mode 2	
			Mode 3	
			Mode 4	
			Mode 5	
		Refresh Rate Num	Off	Displays the current Refresh rate in the corner you prefer.
			Left Top	
			Right Top	
			Left Bottom	
	FreeSync	Off	Enables users to set the FreeSync On or Off.	
		On		
MPRT	Off	Turn off MPRT function.		
	On	Turn on MPRT function.		
Dark Boost	0-100	This boosts the amplitude of the dark color levels of the display		

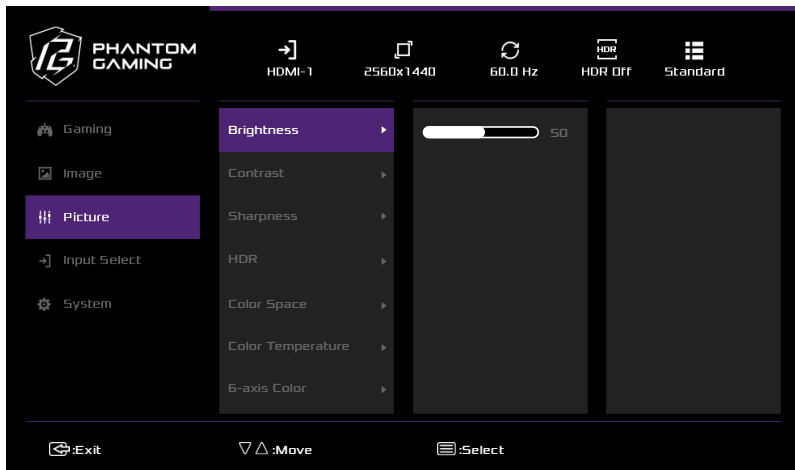
Gaming	Size Simulation	Full	Adjust the display to aspect ratio or full screen.
		Aspect	
	OD (Overdrive)	Off	This feature reduces motion blur by increasing the pixel response speed.
		Normal	
		Enhance	
Reset Gaming	Restore all Gaming settings to factory defaults.		

Function: Image



Main Menu Item	Sub Menu Item	Description
Image	Standard	This scene mode is for document editing.
	FPS Game	Select this mode for First Person Shooter game playing.
	RTS Game	Select this mode for Real-Time Strategy (RTS) playing.
	MOBA Game	Select this mode for multiplayer online battle arena game playing.
	Movie	Select this mode for movie watching.
	Internet	Select this mode for browsing websites.
	sRGB	Select this mode for viewing photos and graphics from PCs.
	User	Create a user-defined mode and customize monitor settings based on user's preferences.

Function: Picture

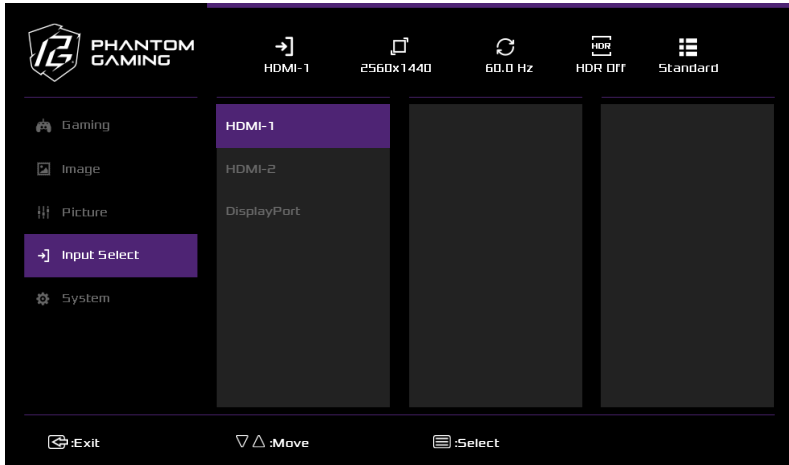


Main Menu Item	Sub Menu Item	Sub Menu	Description
Picture	Brightness	0-100	Brightness adjusts the luminance of the backlight.
	Contrast	0-100	Contrast adjusts the degree of difference between darkness and lightness on the monitor screen.
	Sharpness	0-100	Sharpness improves the clarity of the displayed images outline and produces high-quality visuals on the screen.
	HDR	Auto	Set to Auto to allow the monitor to automatically enable HDR when detecting compatible content.
		Off	
	Color Space	Native	This mode is used for most applications.
		sRGB	This standard RGB color space is commonly used for the vast majority of web-based images.
		Adobe RGB	This mode is ideal for high-end photography and color-critical work.
		DCI-P3	This mode is recommended for cinema-quality footage.

Picture	Color Temperature	Cold	Decreases the color temperature. Select Cold to enhance blue color of an image.			
		Cool	Decreases the color temperature. The screen appears cooler with a blue tint.			
		Native	Loads the monitor's default color settings.			
		Warm	Increases the color temperature. The screen appears warmer with a red/ yellow tint.			
		User Color	Red	0-100	Customize the color temperature by adjusting the red (R), green (G), or blue (B) level according to your preference.	
			Green	0-100		
	Blue		0-100			
	6-axis Color	Hue	Red	0-100		Adjust the tint of each color (red, green, blue, cyan, magenta, and yellow).
			Green	0-100		
			Blue	0-100		
			Cyan	0-100		
			Magenta	0-100		
			Yellow	0-100		
	6-axis Color	Saturation	Red	0-100	Adjust the color depth of each color (red, green, blue, cyan, magenta, and yellow).	
			Green	0-100		
			Blue	0-100		
			Cyan	0-100		
			Magenta	0-100		
			Yellow	0-100		
	Gamma	1.8	Adjust Gamma level. Lower numbers make the image lighter, while higher numbers increase contrast/darkness.			
2.0						
2.2						
2.4						
2.6						
Low Blue Light	0-100	Adjust the Low Blue light value of the display according to your preference				

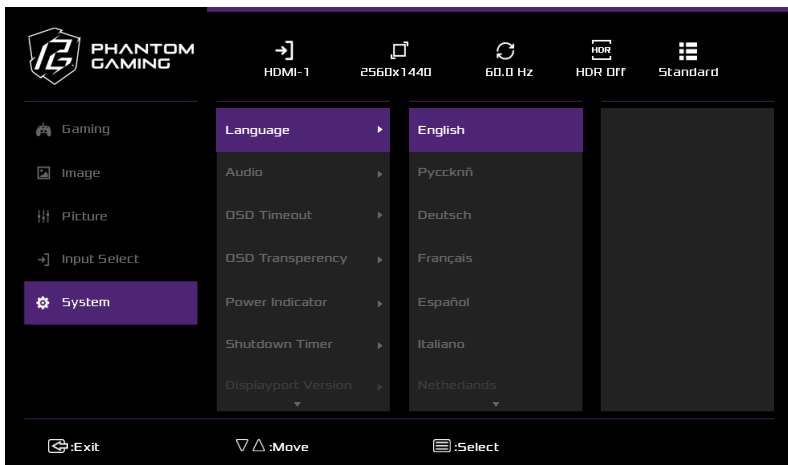
Picture	RGB Range	Auto	The monitor can detect the input signal color range automatically. If the colors are not displayed correctly, users can manually change the color range options.
		Full	
		Limited	
	Reset Picture	Restore all Picture settings to factory defaults.	

Function: Input Select



Main Menu Item	Sub Menu Item	Description
Input Select	HDMI-1	Select the HDMI1 input.
	HDMI-2	Select the HDMI2 input.
	DisplayPort	Select the DisplayPort input.

Function: System



Main Menu Item	Sub Menu Item	Sub Menu	Description		
System	Language	–	Select the OSD language.		
	Audio	Volume	0 - 100	Adjust the volume settings	
			Mute		On
		Off			
	OSD Timeout	5	Select how many seconds when the OSD menu remains visible on the screen before it automatically vanishes.		
		15			
		30			
		60			
	OSD Transparency	On	Enable or disable the OSD menu transparency feature.		
		Off			
	Power Indicator	On	Enable or disable the LED Indicator Control feature.		
		Off			
	Shutdown Timer	30 Minutes	Turn on the timed shutdown, and the display will be automatically turned off after 30, 45, 60, or 120 minutes.		
		45 Minutes			
		60 Minutes			
120 Minutes					
Off					

System	Displayport Version	Displayport 1.4	Toggle between DP versions.
		Displayport 1.2	
	DDC/CI	On	Turn ON/OFF DDC/CI Support.
		Off	
	Information	Resolution:	Show the information of the main image source.
		H. Frequency:	
		V. Frequency:	
		Pixel Clock:	
		Model Number:	
	Reset All Settings	–	Restore all OSD settings to factory defaults.

Chapter 7 Troubleshooting

Problem and Question	Possible Solution
Power LED is not on	<ul style="list-style-type: none"> • Check if the Power button is pressed and the monitor is power on. • Power Cord should be connected.
No signal	<ul style="list-style-type: none"> • Check that the video cable is properly connected. If the connector is loose, tighten the connector's screws. • Check the video cable's connection pins for damage.
Picture is fuzzy	<ul style="list-style-type: none"> • Adjust the Contrast and Brightness Controls.
Picture bounces or a wave pattern is present in the picture	<ul style="list-style-type: none"> • Move electrical devices that may cause electrical interference.
The power LED is ON but there's no video or no picture.	<ul style="list-style-type: none"> • Computer Power Switch should be in the ON position. • Computer Graphics Card should be snugly seated in its slot. • Make sure Monitor's video cable is properly connected to the computer. • Inspect Monitor's video cable and make sure none of the pins are bent.
Missing one of the primary colors (RED, GREEN, or BLUE)	<ul style="list-style-type: none"> • Inspect the Monitor's video cable and make sure that none of the pins are bent.
Picture has color defects (white does not look white)	<ul style="list-style-type: none"> • Adjust RGB color or select color temperature.
Poor brightness or contrast	<ul style="list-style-type: none"> • When the brightness of the screen lowers after being used for a certain period and the function of the display is affected, send it to our authorized service center for repair.
Unable to open OSD menu.	<ul style="list-style-type: none"> • Turn off your monitor, unplug the power cord and plug it back in, then power on the monitor.

Chapter 8 Safety Instructions

- Read the safety instructions carefully and thoroughly.
- All cautions and warnings on the device or User Guide should be noted.
- Refer servicing to qualified personnel only.

Safety Information

- Make sure that the power voltage is within its safety range and has been adjusted properly to the value of 100~240V before connecting the device to the power outlet.
- To avoid electrical shock, always use the power cord and plug with a properly grounded power outlet.
- If the power cord comes with a 3-pin plug, do not disable the protective earth pin from the plug.
- Always disconnect the power cord or switch the wall socket off if the device would be left unused for a certain time to achieve zero energy consumption.
- Place the power cord in a way that people are unlikely to step on it. Do not place anything on the power cord.
- If this device comes with an adapter, use only the ASRock provided AC adapter approved for use with this device.
- To prevent fire or shock hazard, never expose the monitor to rain or moisture.
- Never try to open the monitor cabinet. The dangerous high voltages inside the monitor may result in serious physical injury.
- Never place this product near or over a radiator or heat source unless proper ventilation is provided.
- Do not overload power strips and extension cords. Overloading can result in fire or electric shock.
- Never push objects or spill liquid of any kind into the slots on the monitor cabinet.

European Union:

Batteries, battery packs, and accumulators should not be disposed of as unsorted household waste. Please use the public collection system to return, recycle, or treat them in compliance with the local regulations.

California, USA:

The button cell battery may contain perchlorate material and requires special handling when recycled or disposed of in California. For further information please visit: <https://dtsc.ca.gov/perchlorate/>

Canadian Department of Communications Statement

This digital apparatus does not exceed the Class B limits for radio noise emissions from digital apparatus set out in the Radio Interference Regulations of the Canadian Department of Communications.

This class B digital apparatus complies with Canadian ICES-003.

This Class B digital apparatus meets all requirements of the Canadian Interference - Causing Equipment Regulations.

Cet appareil numérique de la classe B respecte toutes les exigences du Règlement sur le matériel brouiller du Canada.

Environment

- To reduce the possibility of heat-related injuries or of overheating the device, do not place the device on a soft, unsteady surface or obstruct its air ventilators.
- Use this device only on a hard, flat and steady surface.
- To prevent the device from tipping over, secure the device to a desk, wall or fixed object with an anti-tip fastener that helps to properly support the device and keep it safe in place.
- To prevent fire or shock hazard, keep this device away from humidity and high temperature.
- Do not leave the device in an unconditioned environment with a storage temperature above 60°C or below -20°C , which may damage the device.
- The maximum operating temperature is around 40°C .
- When cleaning the device, be sure to remove the power plug. Use a piece of soft cloth rather than industrial chemical to clean the device. Never pour any liquid into the opening; that could damage the device or cause electric shock.
- Always keep strong magnetic or electrical objects away from the device.
- If any of the following situations arises, get the device checked by service personnel:
 - The power cord or plug is damaged.
 - Liquid has penetrated into the device.
 - The device has been exposed to moisture.
 - The device does not work well or you can not get it working according to the User Guide.
 - The device has dropped and damaged.
 - The device has obvious sign of breakage.

Warning!

Overuse of screens is likely to affect eyesight.

Recommendations:

Take a 10-minute break for every 30 minutes of screen time.

Children under 2 years of age should have no screen time. For children aged 2 years and over, screen time should be limited to less than one hour per day.

CE Conformity



This device complies with the requirements set out in the Council Directive on the Approximation of the Laws of the Member States relating to Electromagnetic Compatibility (2014/30/EU), Low-voltage Directive (2014/35/EU), ErP Directive (2009/125/EC) and RoHS directive (2011/65/EU). This product has been tested and found to comply with the harmonized standards for Information Technology Equipment published under Directives of Official Journal of the European Union.

ASRock Contact Information

ASRock EUROPE B.V.

Address : Bijsterhuizen 11-11, 6546 AR Nijmegen, The Netherlands

Phone: +31-24-345-44-33

Technical Support

Phone: +31-24-345-44-33

Online Support <https://event.asrock.com/tsd.asp>

FCC-B Radio Frequency Interference Statement



This equipment has been tested and found to comply with the limits for a Class B digital device, pursuant to Part 15 of the FCC Rules. These limits are designed to provide reasonable protection against harmful interference in a residential installation. This equipment generates, uses and can radiate radio frequency energy and, if not installed and used in accordance with the instruction manual, may cause harmful interference to radio communications. However, there is no guarantee that interference will not occur in a particular installation. If this equipment does cause harmful interference to radio or television reception, which can be determined by turning the equipment off and on, the user is encouraged to try to correct the interference by one or more of the measures listed below:

- Reorient or relocate the receiving antenna.
- Increase the separation between the equipment and receiver.
- Connect the equipment into an outlet on a circuit different from that to which the receiver is connected.
- Consult the dealer or an experienced radio/television technician for help.

Notice 1

The changes or modifications not expressly approved by the party responsible for compliance could void the user's authority to operate the equipment.

Notice 2

Shielded interface cables and AC power cord, if any, must be used in order to comply with the emission limits.

This device complies with Part 15 of the FCC Rules. Operation is subject to the following two conditions:

- This device may not cause harmful interference
- This device must accept any interference received, including interference that may cause undesired operation.

ASRock Contact Information

ASRock America, Inc.

Address : 13848 Magnolia Ave, Chino, CA91710, U.S.A.

Phone: +1-909-590-8308

Technical Support

Phone: +1-909-590-8308

Online Support <https://event.asrock.com/tsd.asp>

WEEE Statement

Under the European Union (“EU”) Directive on Waste Electrical and Electronic Equipment, Directive 2012/19/EU, products of “electrical and electronic equipment” cannot be discarded as municipal waste anymore and manufacturers of covered electronic equipment will be obligated to take back such products at the end of their useful life.



Chemical Substances Information

In compliance with chemical substances regulations, such as the EU REACH Regulation (Regulation EC No. 1907/2006 of the European Parliament and the Council), ASRock provides the relevant information at:
<https://asrock.com/general/about.asp?cat=Responsibility>

RoHS Statement

Japan JIS C 0950 Material Declaration

A Japanese regulatory requirement, defined by specification JIS C 0950, mandates that manufacturers provide material declarations for certain categories of electronic products offered for sale after July 1, 2006.



The terms HDMI, HDMI High-Definition Multimedia Interface, HDMI trade dress and the HDMI Logos are trademarks or registered trademarks of HDMI Licensing Administrator, Inc.



Copyright and Trademarks Notice

Copyright © ASRock Inc. All rights reserved. The ASRock logo used is a registered trademark of ASRock Inc. All other marks and names mentioned may be trademarks of their respective owners. No warranty as to accuracy or completeness is expressed or implied. ASRock reserves the right to make changes to this document without prior notice.

Technical Support

If a problem arises with your product and no solution can be obtained from the user's manual, please contact your place of purchase or local distributor. Alternatively, please visit <https://www.asrock.com> for further guidance.

Product information for EU energy label

<https://eprel.ec.europa.eu/screen/product/electronicdisplays/2508099>

Copyright Notice

No part of this documentation may be reproduced, transcribed, transmitted, or translated in any language, in any form or by any means, except duplication of documentation by the purchaser for backup purpose, without written consent of ASRock Inc.

Products and corporate names appearing in this documentation may or may not be registered trademarks or copyrights of their respective companies, and are used only for identification or explanation and to the owners' benefit, without intent to infringe.

Disclaimer

Because the monitor specifications and the firmware might be updated, the content of this documentation will be subject to change without notice. In case any modifications of this documentation occur, the updated version will be available on ASRock's website without further notice. If you require technical support related to this monitor, please visit our website for specific information about the model you are using. You may find the latest monitor support list on ASRock's website as well.

ASRock Website: <http://www.asrock.com>