

ASRock

A620M-HDV/M.2

User Manual

Contact Information

If you need to contact ASRock or want to know more about ASRock, you're welcome to visit ASRock's website at <http://www.asrock.com>; or you may contact your dealer for further information. For technical questions, please submit a support request form at <https://event.asrock.com/tsd.asp>

ASRock Incorporation

e-mail: info@asrock.com.tw

ASRock EUROPE B.V.

e-mail: sales@asrock.nl

ASRock America, Inc.

e-mail: sales@asrockamerica.com



Scan the QR code to view more manuals and documents.

Contents

Chapter 1 Introduction	1
1.1 Package Contents	1
1.2 Specifications	2
1.3 Motherboard Layout	5
1.4 I/O Panel	7
1.5 Block Diagram	8
Chapter 2 Installation	9
2.1 Installing the CPU	10
2.2 Installing the CPU Fan and Heatsink	13
2.3 Installing Memory Modules (DIMM)	21
2.4 Connecting the Front Panel Header	23
2.5 Installing the I/O Panel Shield	24
2.6 Installing the Motherboard	25
2.7 Installing SATA Drives	26
2.8 Installing a Graphics Card	28
2.9 Connecting Peripheral Devices	30
2.10 Connecting the Power Connectors	31
2.11 Power On	32
2.12 Jumpers Setup	33
2.13 Onboard Headers and Connectors	34
2.14 Smart Switches	41
2.15 Post Status Checker	43

2.16	M.2 WiFi/BT PCIe WiFi Module Installation Guide	44
2.17	M.2 SSD Module Installation Guide (M2_1)	46
2.18	M.2 SSD Module Installation Guide (M2_2)	48

Chapter 1 Introduction

Thank you for purchasing ASRock A620M-HDV/M.2 motherboard, a reliable motherboard produced under ASRock's consistently stringent quality control. It delivers excellent performance with robust design conforming to ASRock's commitment to quality and endurance.



Because the motherboard specifications and the BIOS software might be updated, the content of this documentation will be subject to change without notice. In case any modifications of this documentation occur, the updated version will be available on ASRock's website without further notice. If you require technical support related to this motherboard, please visit our website for specific information about the model you are using. You may find the latest VGA cards and CPU support list on ASRock's website as well. ASRock website <http://www.asrock.com>.

1.1 Package Contents

- ASRock A620M-HDV/M.2 Motherboard (Micro ATX Form Factor)
- ASRock A620M-HDV/M.2 User Manual
- 1 x I/O Shield
- 2 x Serial ATA (SATA) Data Cables (Optional)
- 3 x Screws for M.2 Sockets (Optional)

1.2 Specifications

- Platform**
- Micro ATX Form Factor
 - 2oz Copper PCB

- CPU**
- Supports AMD Socket AM5 Ryzen™ 7000 Series Processors

- Chipset**
- AMD A620

- Memory**
- Dual Channel DDR5 Memory Technology
 - 2 x DDR5 DIMM Slots
 - Supports DDR5 non-ECC, un-buffered memory up to 6400+(OC)*
 - Max. capacity of system memory: 96GB
 - Supports Extreme Memory Profile (XMP) and EXTended Profiles for Overclocking (EXPO) memory modules
- * Please refer to Memory Support List on ASRock's website for more information. (<http://www.asrock.com/>)

- Expansion Slot**
- CPU:
- 1 x PCIe 4.0 x16 Slot (PCIe1), supports x16 mode*
- Chipset:
- 2 x PCIe 3.0 x1 Slots (PCIe2 and PCIe3)*
 - 1 x M.2 Socket (Key E), supports type 2230 WiFi/BT PCIe WiFi module

- * Supports NVMe SSD as boot disks
- 15μ Gold Contact in VGA PCIe Slot (PCIe1)

- Graphics**
- Integrated AMD RDNA™ 2 graphics (Actual support may vary by CPU)
 - 1 x HDMI 2.1 TMDS/FRL 8G Compatible, supports HDR, HDCP 2.3 and max. resolution up to 4K 120Hz
 - 1 x DisplayPort 1.4 with DSC (compressed), supports HDCP 2.3 and max. resolution up to 4K 120Hz

- Audio**
- 7.1 CH HD Audio (Realtek ALC897 Audio Codec)
 - Nahimic Audio

- LAN**
- Gigabit LAN 10/100/1000 Mb/s
 - Realtek RTL8111H

- USB**
- 1 x USB 3.2 Gen1 Type-C (Rear)
 - 4 x USB 3.2 Gen1 Type-A (2 Rear, 2 Front)
 - 6 x USB 2.0 (2 Rear, 4 Front)
- * All USB ports support ESD Protection

- Rear Panel I/O**
- 2 x Antenna Mounting Points
 - 1 x HDMI Port
 - 1 x DisplayPort 1.4
 - 1 x USB 3.2 Gen1 Type-C Port
 - 2 x USB 3.2 Gen1 Type-A Ports
 - 2 x USB 2.0 Ports
 - 1 x RJ-45 LAN Port
 - 1 x BIOS Flashback Button
 - HD Audio Jacks: Line in / Front Speaker / Microphone

- Storage**
- CPU:
- 1 x Hyper M.2 Socket (M2_1, Key M), supports type 2280 PCIe Gen4x4 (64 Gb/s) mode*
- Chipset:
- 1 x M.2 Socket (M2_2, Key M), supports type 2260/2280 SATA3 6.0 Gb/s & PCIe Gen3x2 (16 Gb/s) modes*
 - 2 x SATA3 6.0 Gb/s Connectors
- * Supports NVMe SSD as boot disks

- RAID**
- Supports RAID 0 and RAID 1 for SATA storage devices
 - Supports RAID 0, RAID 1 and RAID 10 for M.2 NVMe storage devices*
- * Requires additional M.2 NVMe expansion cards to support RAID 10

- Connector**
- 1 x Power LED and Speaker Header
 - 1 x CPU Fan Connector (4-pin)*
 - 3 x Chassis/Water Pump Fan Connectors (4-pin) (Smart Fan Speed Control)**
 - 1 x 24 pin ATX Power Connector
 - 1 x 8 pin 12V Power Connector
 - 1 x Front Panel Audio Connector
 - 2 x USB 2.0 Headers (Support 4 USB 2.0 ports)
 - 1 x USB 3.2 Gen1 Header (Supports 2 USB 3.2 Gen1 ports)
- * CPU_FAN1 supports the fan power up to 1A (12W).
 ** CHA_FAN1~3/WP support the fan power up to 2A (24W).
 ** CHA_FAN1~3/WP can auto detect if 3-pin or 4-pin fan is in use.

- BIOS Feature**
- AMI UEFI Legal BIOS with GUI support

- OS**
- Microsoft® Windows® 10 64-bit / 11 64-bit

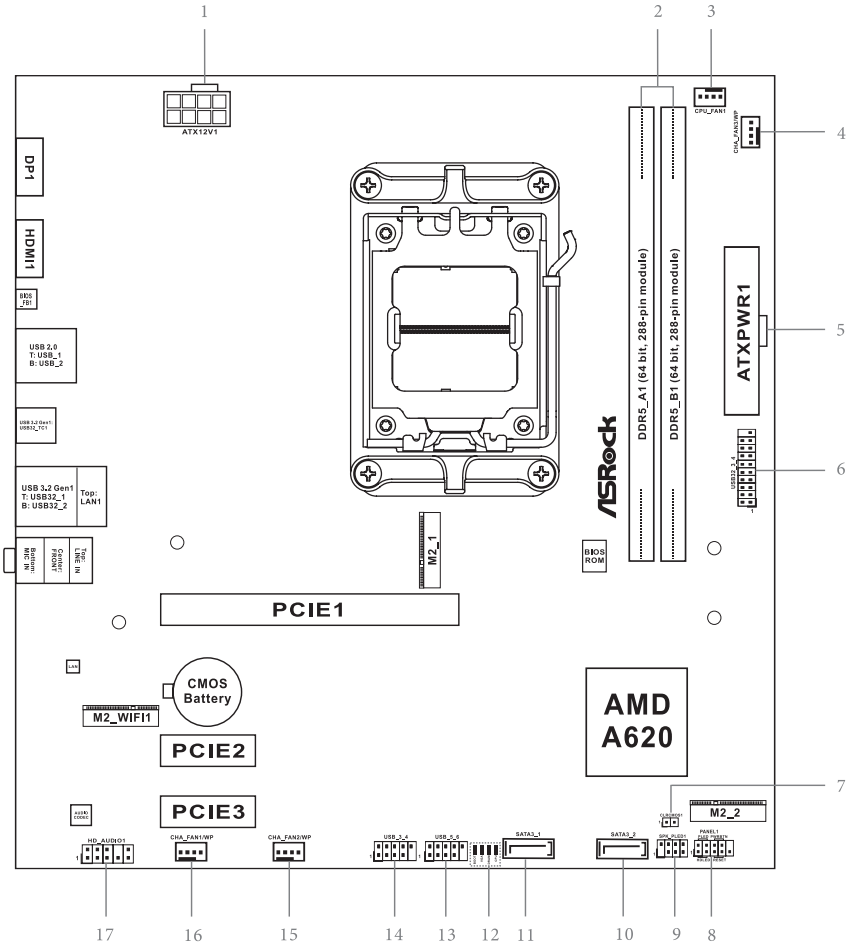
- Certifications**
- FCC, CE
 - ErP/EuP ready (ErP/EuP ready power supply is required)

* For detailed product information, please visit our website: <http://www.asrock.com>



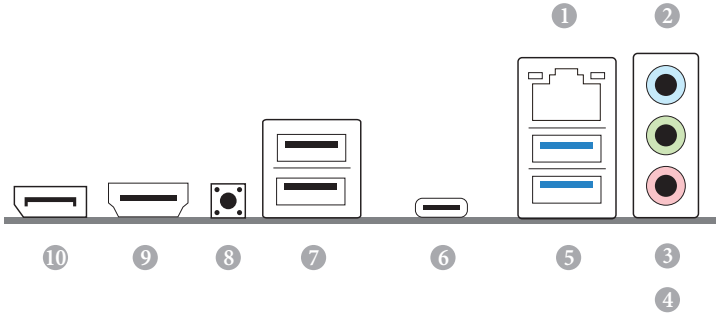
Please realize that there is a certain risk involved with overclocking, including adjusting the setting in the BIOS, applying Untied Overclocking Technology, or using third-party overclocking tools. Overclocking may affect your system's stability, or even cause damage to the components and devices of your system. It should be done at your own risk and expense. We are not responsible for possible damage caused by overclocking.

1.3 Motherboard Layout



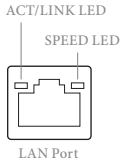
No.	Description
1	ATX 12V Power Connector (ATX12V1)
2	2 x 288-pin DDR5 DIMM Slots (DDR5_A1, DDR5_B1)
3	CPU Fan Connector (CPU_FAN1)
4	Chassis/Water Pump Fan Connector (CHA_FAN3/WP)
5	ATX Power Connector (ATXPWR1)
6	USB 3.2 Gen1 Header (USB32_3_4)
7	Clear CMOS Jumper (CLRCMOS1)
8	System Panel Header (PANEL1)
9	Power LED and Speaker Header (SPK_PLED1)
10	SATA3 Connector (SATA3_2)
11	SATA3 Connector (SATA3_1)
12	Post Status Checker (PSC)
13	USB 2.0 Header (USB_5_6)
14	USB 2.0 Header (USB_3_4)
15	Chassis/Water Pump Fan Connector (CHA_FAN2/WP)
16	Chassis/Water Pump Fan Connector (CHA_FAN1/WP)
17	Front Panel Audio Header (HD_AUDIO1)

1.4 I/O Panel



No.	Description	No.	Description
1	LAN RJ-45 Port*	6	USB 3.2 Gen1 Type-C Port (UB32_TC1)
2	Line In (Light Blue)**	7	USB 2.0 Ports (USB_12)
3	Front Speaker (Lime)**	8	BIOS Flashback Button
4	Microphone (Pink)**	9	HDMI Port
5	USB 3.2 Gen1 Type-A Ports (USB32_12)	10	DisplayPort 1.4

* There are two LEDs on each LAN port. Please refer to the table below for the LAN port LED indications.

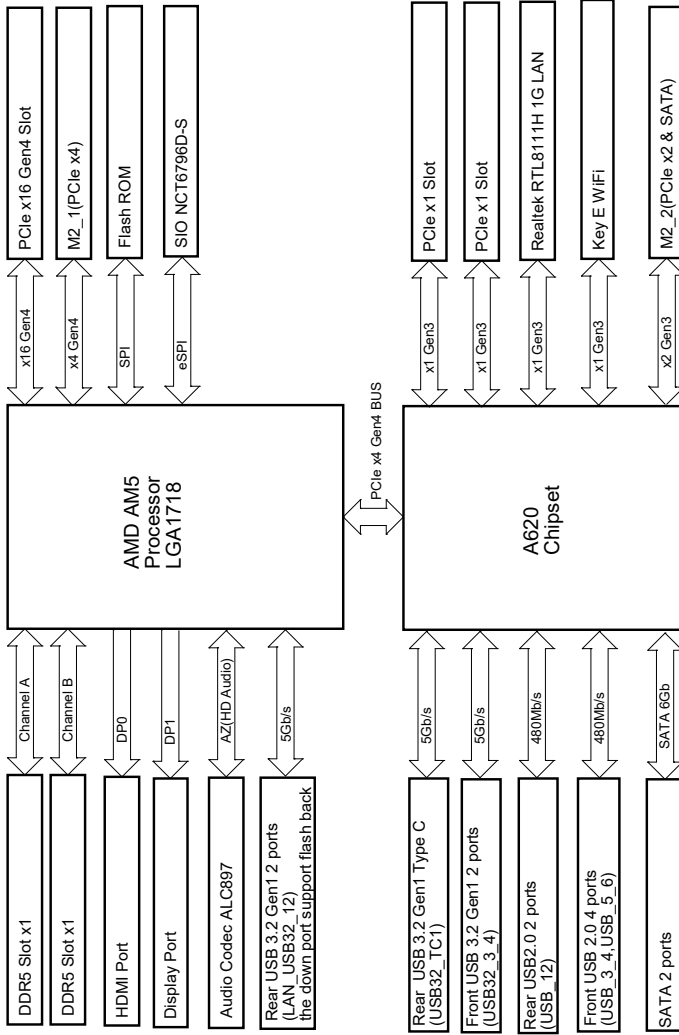


Activity / Link LED		Speed LED	
Status	Description	Status	Description
Off	No Link	Off	10Mbps connection
Blinking	Data Activity	Orange	100Mbps connection
On	Link	Green	1Gbps connection

** *Function of the Audio Ports in 7.1-channel Configuration:*

Port	Function
Light Blue (Rear panel)	Rear Speaker Out
Lime (Rear panel)	Front Speaker Out
Pink (Rear panel)	Central /Subwoofer Speaker Out
Lime (Front panel)	Side Speaker Out

1.5 Block Diagram



Chapter 2 Installation

This is a Micro ATX form factor motherboard. Before you install the motherboard, study the configuration of your chassis to ensure that the motherboard fits into it.

Pre-installation Precautions

Take note of the following precautions before you install motherboard components or change any motherboard settings.

- Make sure to unplug the power cord before installing or removing the motherboard components. Failure to do so may cause physical injuries and damages to motherboard components.
- In order to avoid damage from static electricity to the motherboard's components, NEVER place your motherboard directly on a carpet. Also remember to use a grounded wrist strap or touch a safety grounded object before you handle the components.
- Hold components by the edges and do not touch the ICs.
- Whenever you uninstall any components, place them on a grounded anti-static pad or in the bag that comes with the components.
- When placing screws to secure the motherboard to the chassis, please do not over-tighten the screws! Doing so may damage the motherboard.

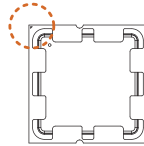
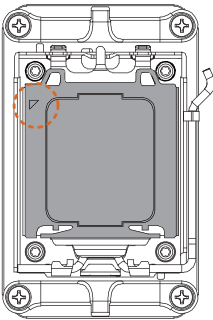
2.1 Installing the CPU



1. Before you insert the 1718-Pin CPU into the socket, please check if the **PnP cap** is on the socket, if the CPU surface is unclean, or if there are any **bent pins** in the socket. Do not force to insert the CPU into the socket if above situation is found. Otherwise, the CPU will be seriously damaged.
2. Unplug all power cables before installing the CPU.

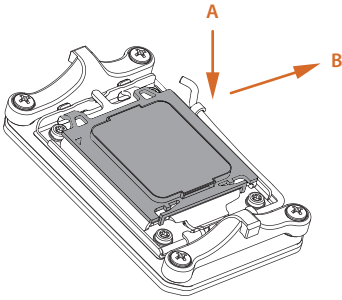


Tutorial Video

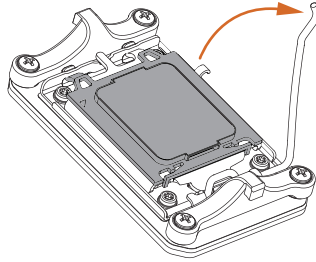


Turn your CPU to the correct orientation before opening the CPU socket cover.

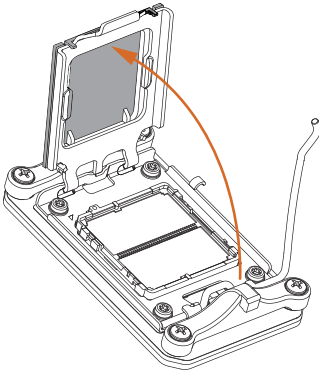
1



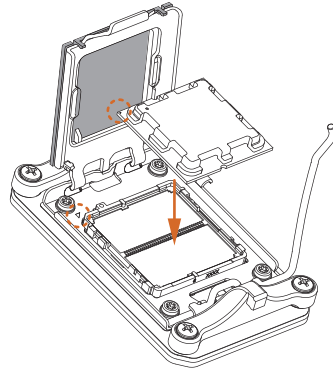
2



3

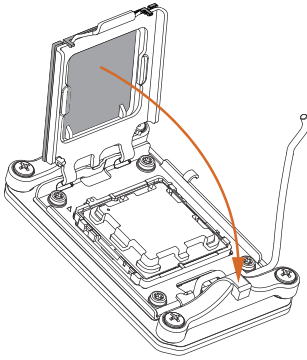


4

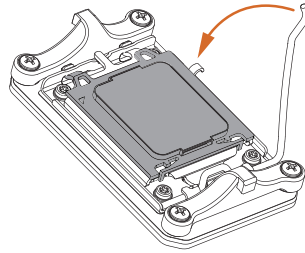


Carefully place the CPU in as flat as possible. Do not drop it.

5

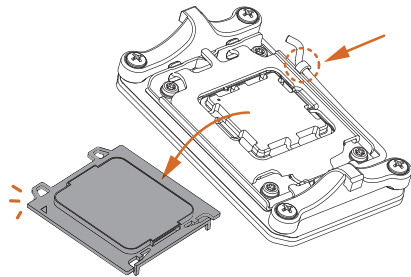


6



Make sure the CPU is aligned with the socket before locking it into place.

7



Make sure the black cover plate is always in place until it pops off when closing the socket lever.



Please save the cover if the processor is removed. The cover must be placed if you wish to return the motherboard for after service.

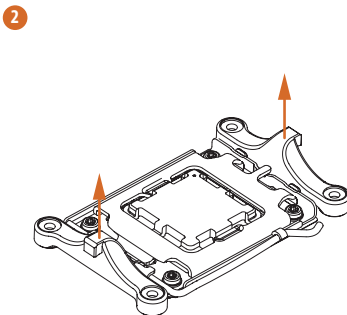
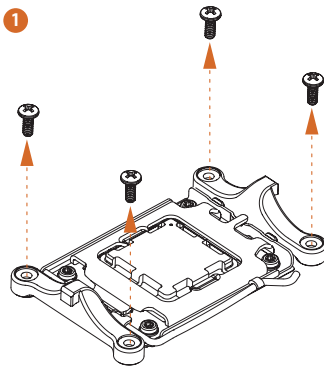
2.2 Installing the CPU Fan and Heatsink

After you install the CPU into this motherboard, it is necessary to install a larger heatsink and cooling fan to dissipate heat. You also need to spray thermal grease between the CPU and the heatsink to improve heat dissipation. Make sure that the CPU and the heatsink are securely fastened and in good contact with each other.

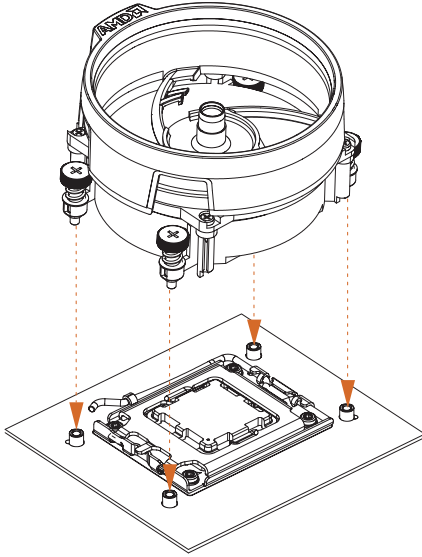


Please turn off the power or remove the power cord before changing a CPU or heatsink.

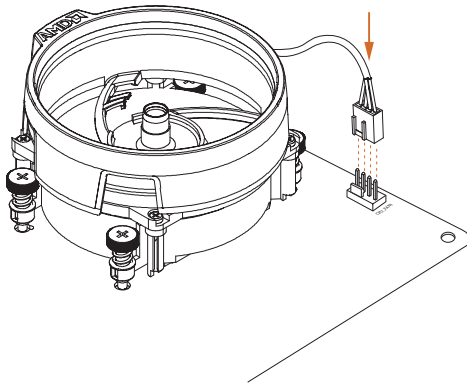
Installing the CPU Cooler (Type 1)



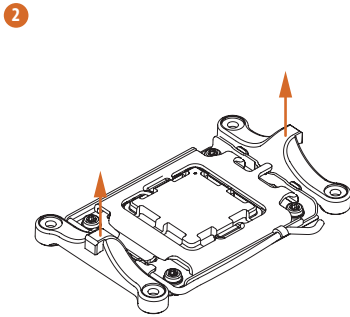
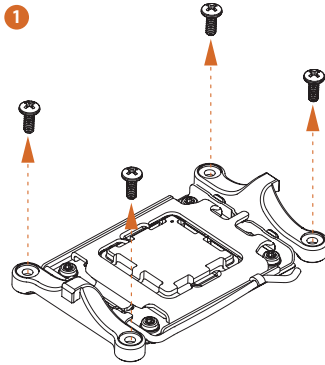
3



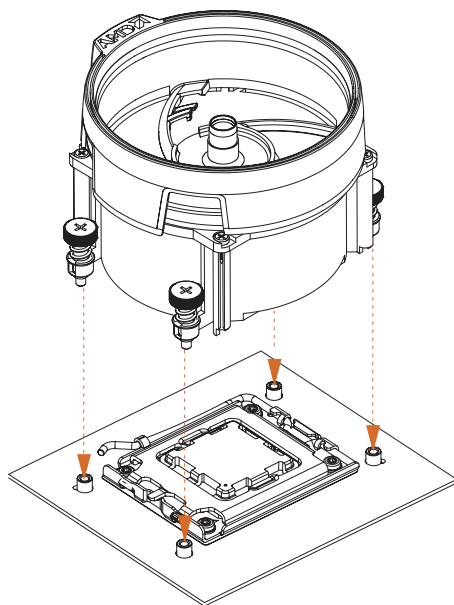
4



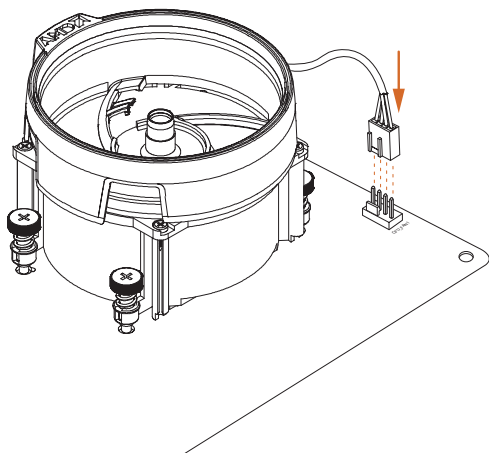
Installing the CPU Cooler (Type 2)

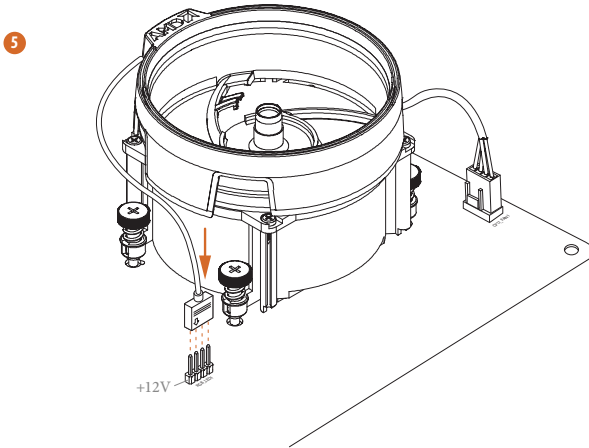


3



4

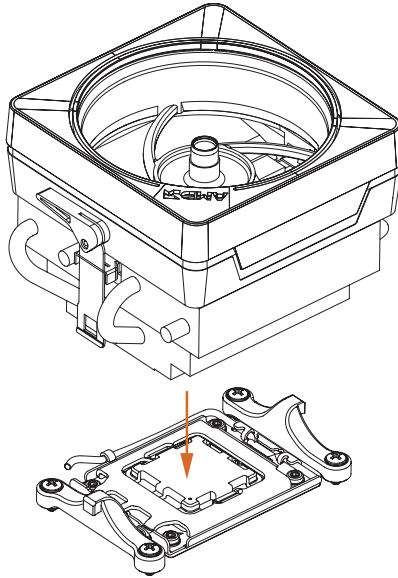




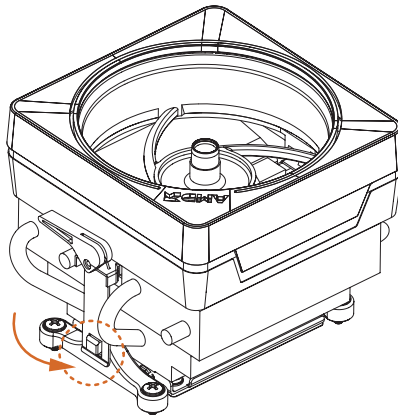
*The illustrations shown here are for reference purposes only and may not exactly match the model you purchase.

Installing the CPU Cooler (Type 3)

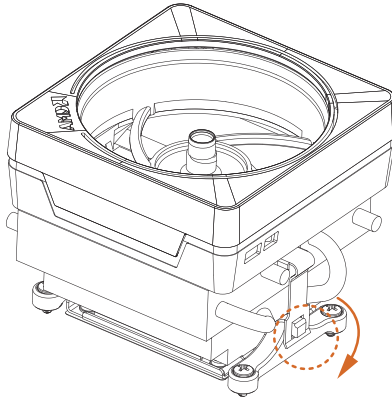
1



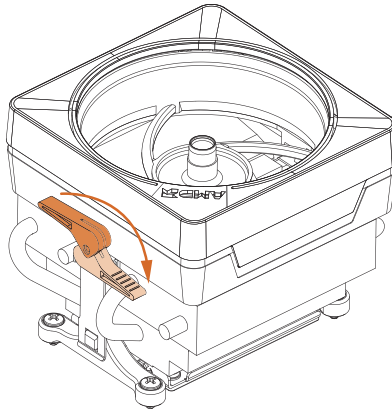
2



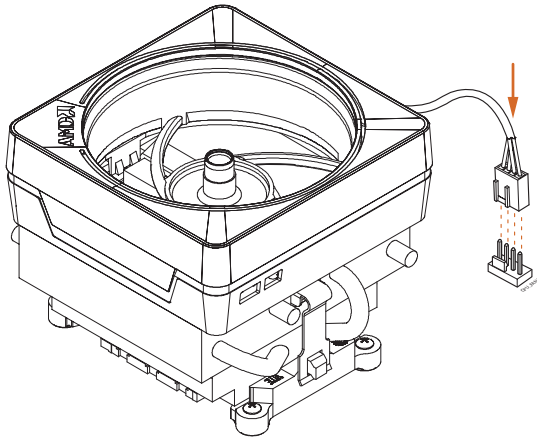
3



4



5



*The illustrations shown here are for reference purposes only and may not exactly match the model you purchase.

2.3 Installing Memory Modules (DIMM)

This motherboard provides two 288-pin DDR5 (Double Data Rate 5) DIMM slots, and supports Dual Channel Memory Technology.



1. For dual channel configuration, you always need to install identical (the same brand, speed, size and chip-type) DDR5 DIMM pairs.
2. It is unable to activate Dual Channel Memory Technology with only one memory module installed.
3. It is not allowed to install a DDR, DDR2, DDR3 or DDR4 memory module into a DDR5 slot; otherwise, this motherboard and DIMM may be damaged.
4. The DIMM only fits in one correct orientation. It will cause permanent damage to the motherboard and the DIMM if you force the DIMM into the slot at incorrect orientation.

Recommended Memory Configuration

1 DIMM



2 DIMMs



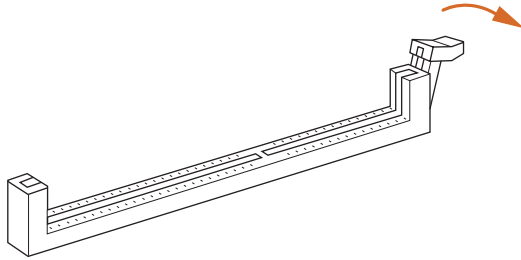
The first boot may take some time.

Please be patient and refer to the following table for booting time.

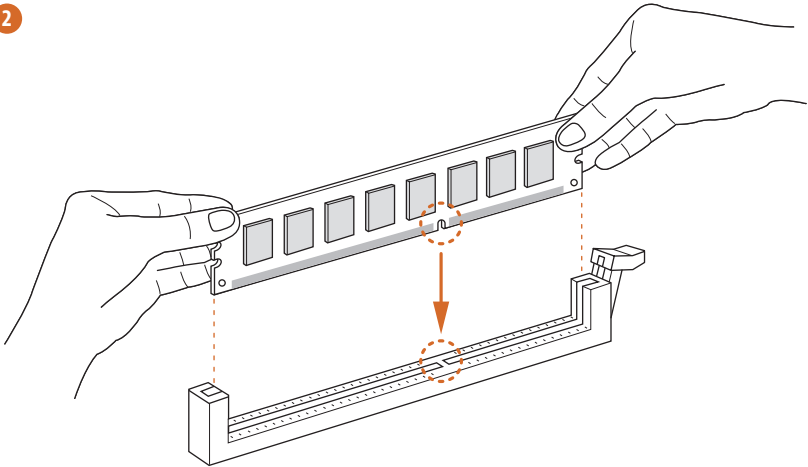
*It may vary by different setups.

Memory	1st boot after clear CMOS
2 x 16GB	90 sec
2 x 32GB	150 sec

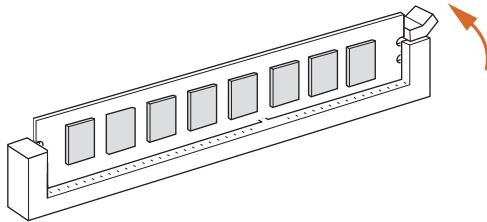
1



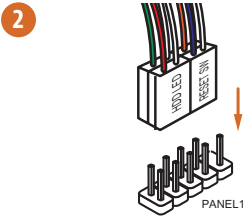
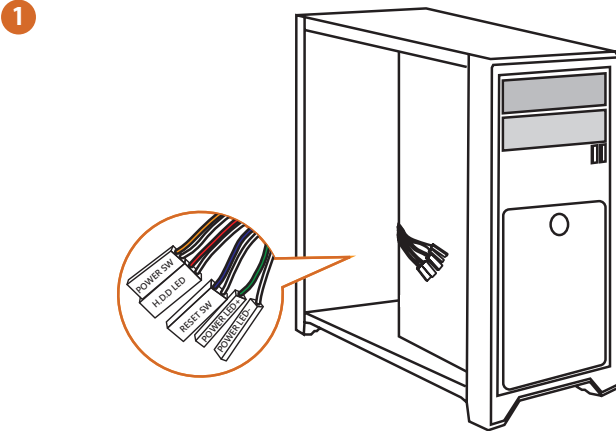
2



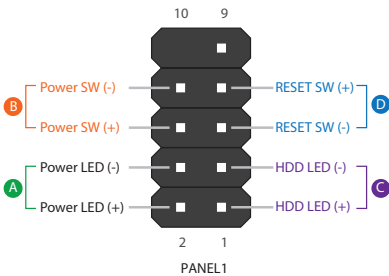
3



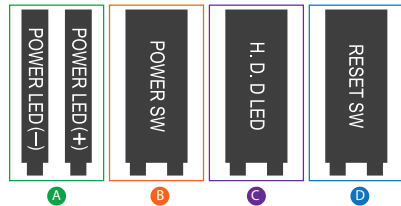
2.4 Connecting the Front Panel Header



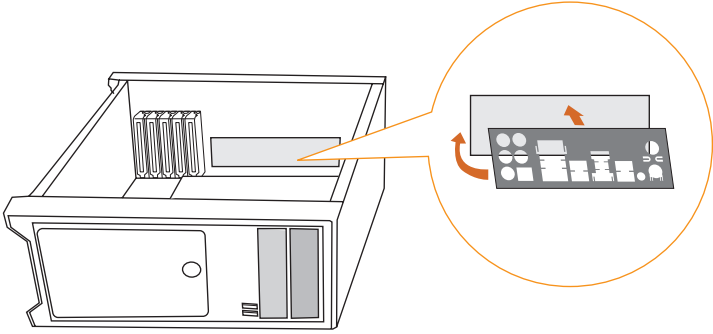
System Panel Header



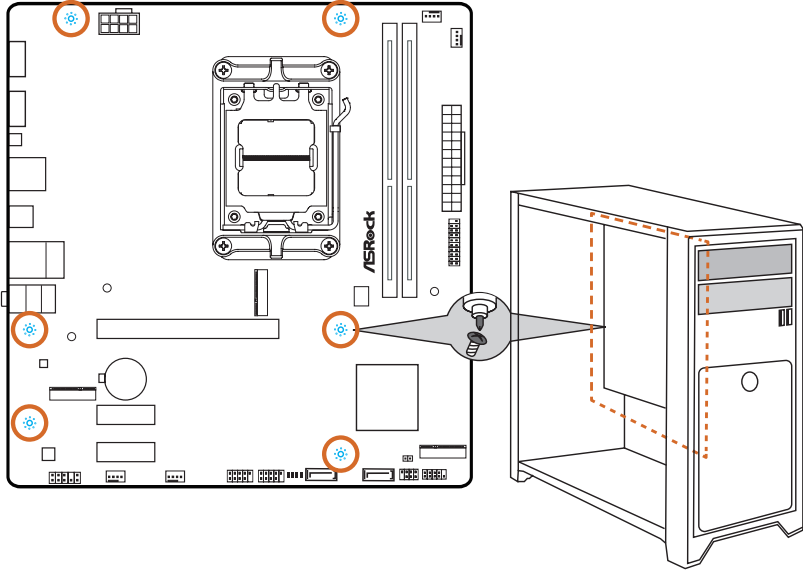
Front Panel Wires



2.5 Installing the I/O Panel Shield

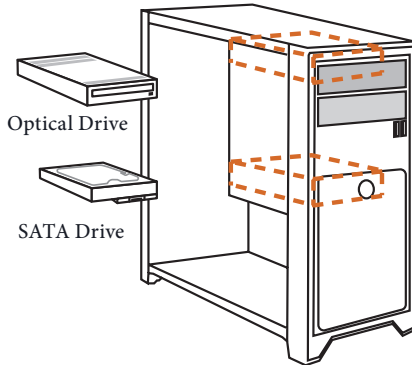


2.6 Installing the Motherboard

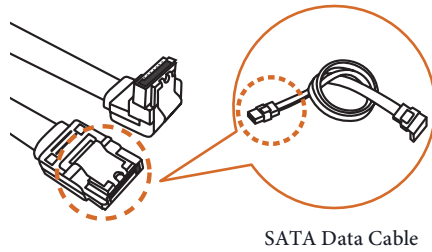


2.7 Installing SATA Drives

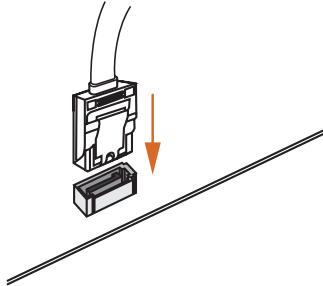
1



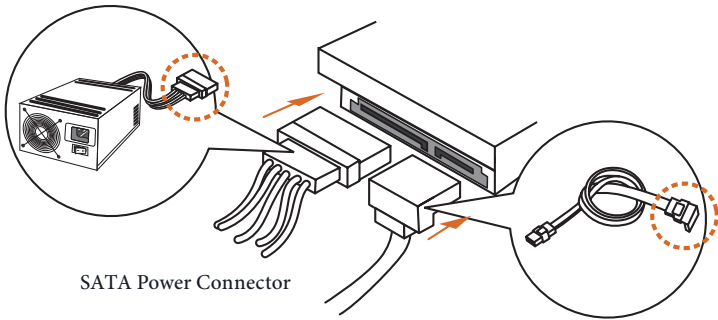
2



3



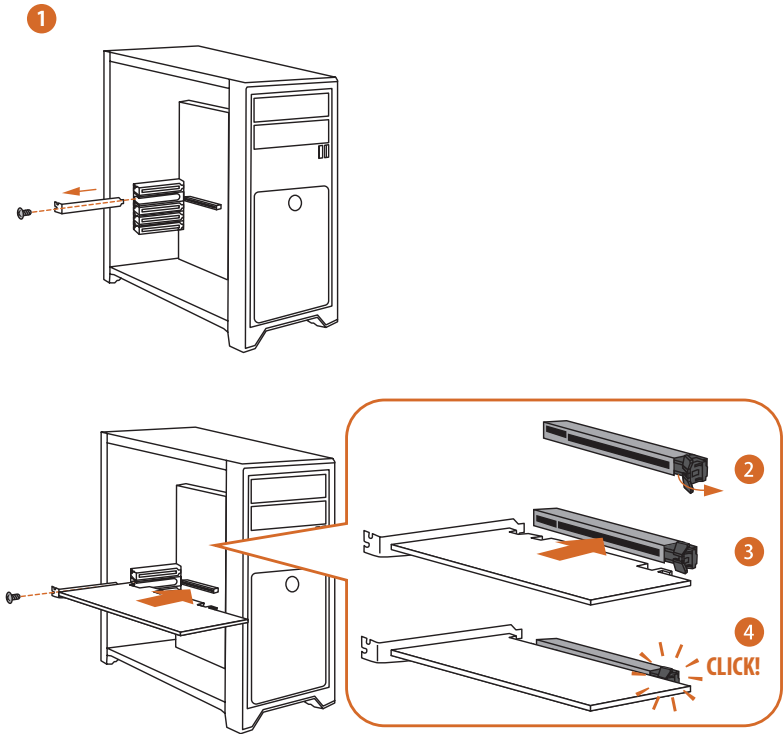
4



SATA Power Connector

SATA Data Connector

2.8 Installing a Graphics Card



Expansion Slots (PCIe Slots)

There are 3 PCI Express slots on the motherboard.



Before installing an expansion card, please make sure that the power supply is switched off or the power cord is unplugged. Please read the documentation of the expansion card and make necessary hardware settings for the card before you start the installation.

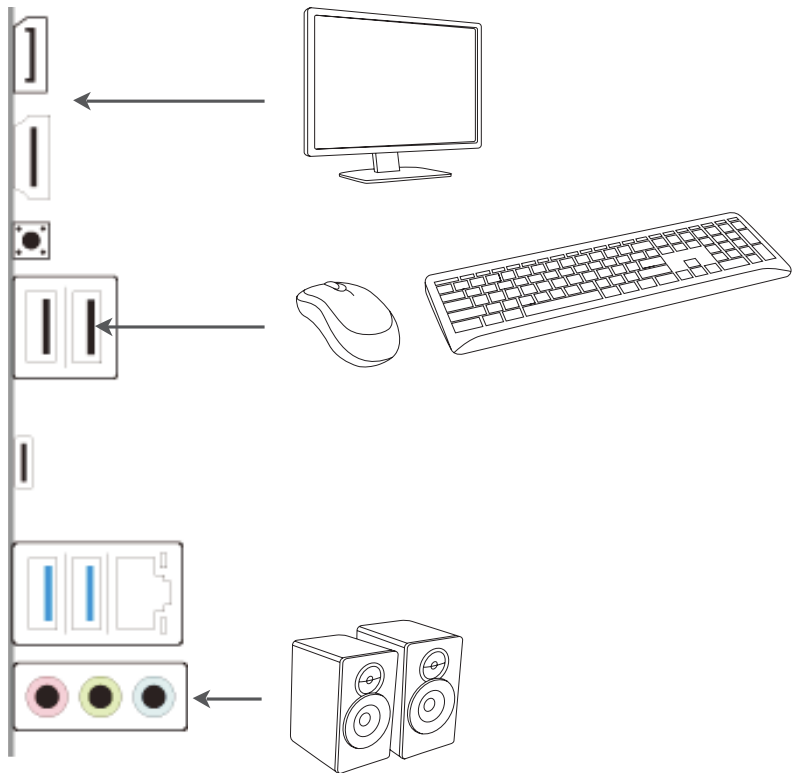
PCIe slots:

PCIE1 (PCIe 4.0 x16 slot) is used for PCIe x16 lane width graphics cards.

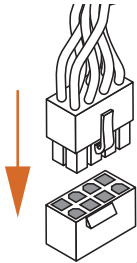
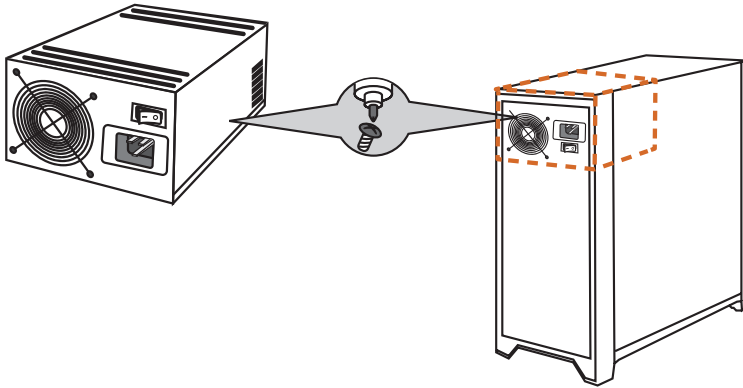
PCIE2 (PCIe 3.0 x1 slot) is used for PCIe x1 lane width cards.

PCIE3 (PCIe 3.0 x1 slot) is used for PCIe x1 lane width cards.

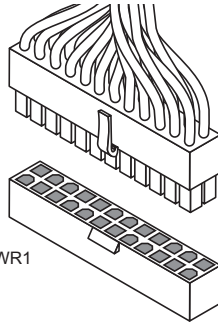
2.9 Connecting Peripheral Devices



2.10 Connecting the Power Connectors

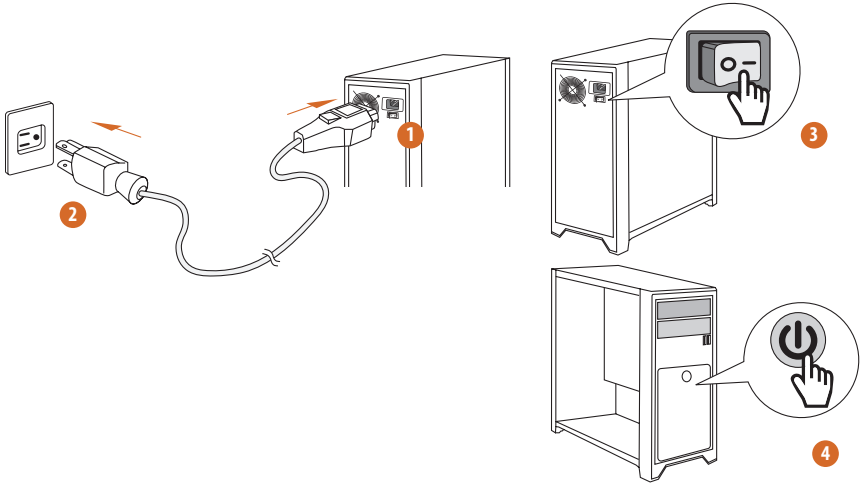


ATX12V1



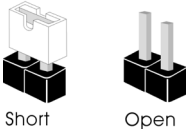
ATXPWR1

2.11 Power On



2.12 Jumpers Setup

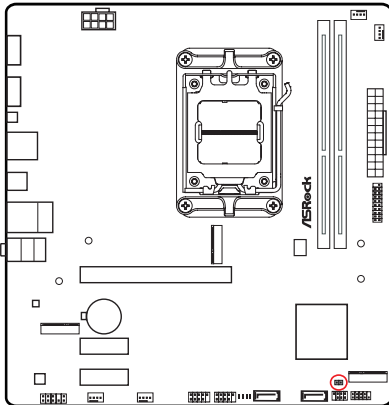
The illustration shows how jumpers are setup. When the jumper cap is placed on the pins, the jumper is “Short”. If no jumper cap is placed on the pins, the jumper is “Open”.



Clear CMOS Jumper

(CLR CMOS1) (see p.5, No. 7)

CLR CMOS1 allows you to clear the data in CMOS. The data in CMOS includes system setup information such as system password, date, time, and system setup parameters. To clear and reset the system parameters to default setup, please turn off the computer and unplug the power cord, then use a jumper cap to short the pins on CLR CMOS1 for 3 seconds. Please remember to remove the jumper cap after clearing the CMOS. If you need to clear the CMOS when you just finish updating the BIOS, you must boot up the system first, and then shut it down before you do the clear-CMOS action.



CLR CMOS1



2-pin Jumper

Short: Clear CMOS

Open: Default

2.13 Onboard Headers and Connectors

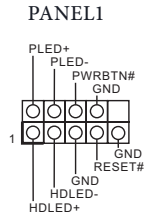
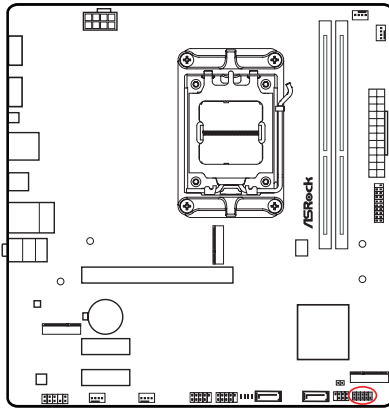


Onboard headers and connectors are **NOT** jumpers. Do **NOT** place jumper caps over these headers and connectors. Placing jumper caps over the headers and connectors will cause permanent damage to the motherboard.

System Panel Header

(9-pin PANEL1) (see p.5, No. 8)

Connect the power button, reset button and system status indicator on the chassis to this header according to the pin assignments below. Note the positive and negative pins before connecting the cables.



PWRBTN (Power Button):

Connect to the power button on the chassis front panel. You may configure the way to turn off your system using the power button.

RESET (Reset Button):

Connect to the reset button on the chassis front panel. Press the reset button to restart the computer if the computer freezes and fails to perform a normal restart.

PLED (System Power LED):

Connect to the power status indicator on the chassis front panel. The LED is on when the system is operating. The LED keeps blinking when the system is in S1/S3 sleep state. The LED is off when the system is in S4 sleep state or powered off (S5).

HDLED (Hard Drive Activity LED):

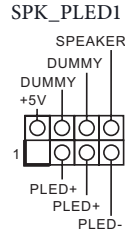
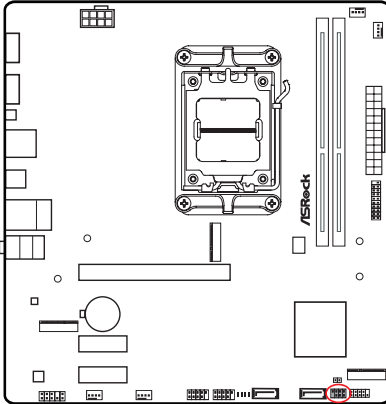
Connect to the hard drive activity LED on the chassis front panel. The LED is on when the hard drive is reading or writing data.

The front panel design may differ by chassis. A front panel module mainly consists of power button, reset button, power LED, hard drive activity LED, speaker and etc. When connecting your chassis front panel module to this header, make sure the wire assignments and the pin assignments are matched correctly.

Power LED and Speaker Header

(7-pin SPK_PLED1) (see p.5, No. 9)

Please connect the chassis power LED and the chassis speaker to this header.



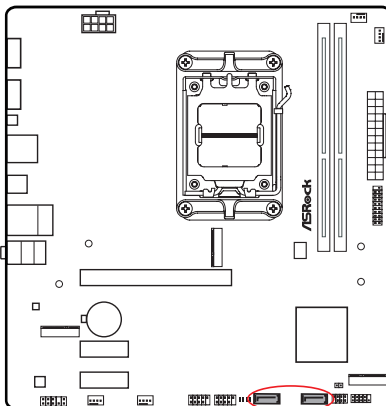
Serial ATA3 Connectors

Vertical:

(SATA3_1) (see p.5, No. 11)

(SATA3_2) (see p.5, No. 10)

These two SATA3 connectors support SATA data cables for internal storage devices with up to 6.0 Gb/s data transfer rate.

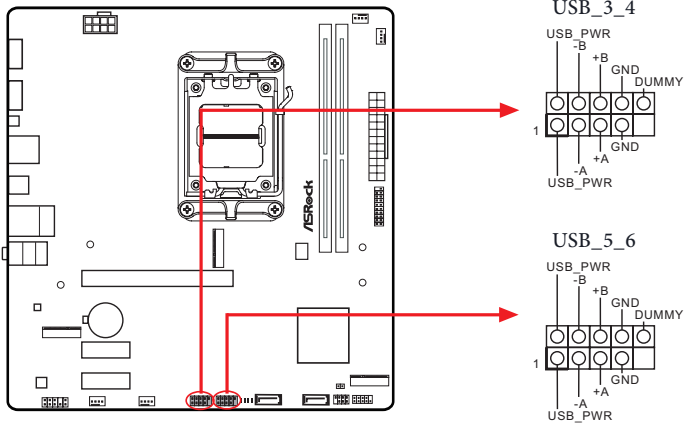


USB 2.0 Headers

(9-pin USB_3_4) (see p.5, No. 14)

(9-pin USB_5_6) (see p.5, No. 13)

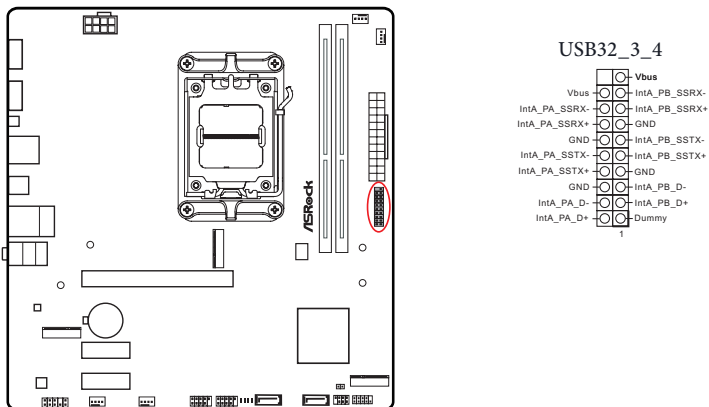
There are two headers on this motherboard. Each USB 2.0 header can support two ports.



USB 3.2 Gen1 Header

(19-pin USB32_3_4) (see p.5, No. 6)

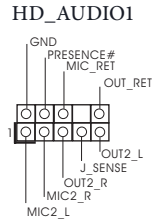
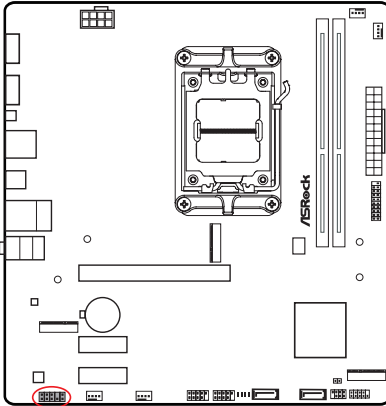
There is one header on this motherboard. This USB 3.2 Gen1 header can support two ports.



Front Panel Audio Header

(9-pin HD_AUDIO1) (see p.5, No. 17)

This header is for connecting audio devices to the front audio panel.



High Definition Audio supports Jack Sensing, but the panel wire on the chassis must support HDA to function correctly. Please follow the instructions in our manual and chassis manual to install your system.

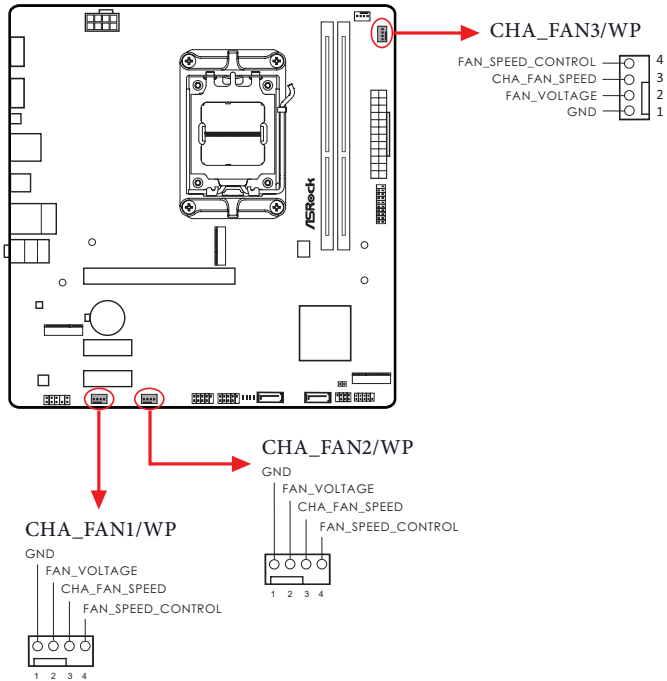
Chassis/Water Pump Fan Connectors

(4-pin CHA_FAN1/WP) (see p.5, No.16)

(4-pin CHA_FAN2/WP) (see p.5, No. 15)

(4-pin CHA_FAN3/WP) (see p.5, No. 4)

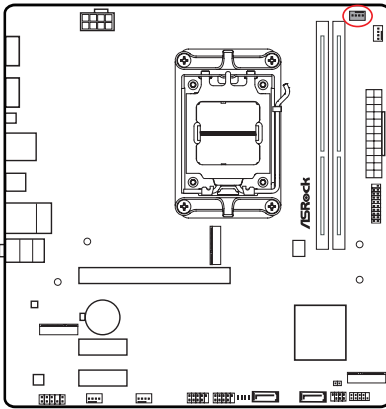
This motherboard provides three 4-Pin water cooling chassis fan connectors. If you plan to connect a 3-Pin chassis water cooler fan, please connect it to Pin 1-3.



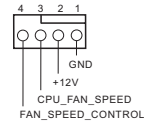
CPU Fan Connector

(4-pin CPU_FAN1) (see p.5, No. 3)

This motherboard provides a 4-Pin CPU fan (Quiet Fan) connector. If you plan to connect a 3-Pin CPU fan, please connect it to Pin 1-3.



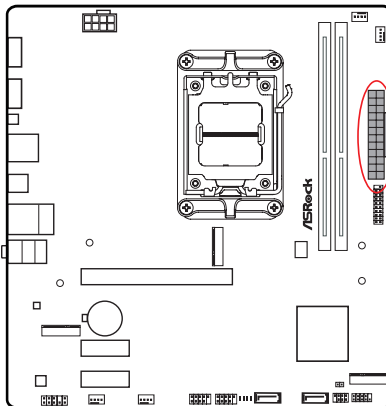
CPU_FAN1



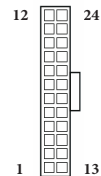
ATX Power Connector

(24-pin ATXPWR1) (see p.5, No. 5)

This motherboard provides a 24-pin ATX power connector. To use a 20-pin ATX power supply, please plug it along Pin 1 and Pin 13.



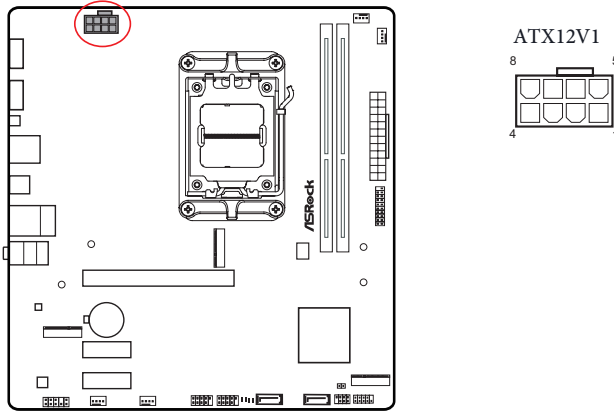
ATXPWR1



ATX 12V Power Connector
(8-pin ATX12V1) (see p.5, No. 1)

This motherboard provides a 8-pin ATX 12V power connector. To use a 4-pin ATX power supply, please plug it along Pin 1 and Pin 5.

***Warning: Please make sure that the power cable connected is for the CPU and not the graphics card. Do not plug the PCIe power cable to this connector.**



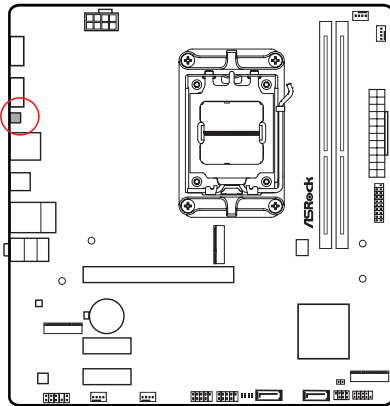
2.14 Smart Switches

The motherboard has one smart switch: BIOS Flashback Button, allowing users to flash the BIOS.

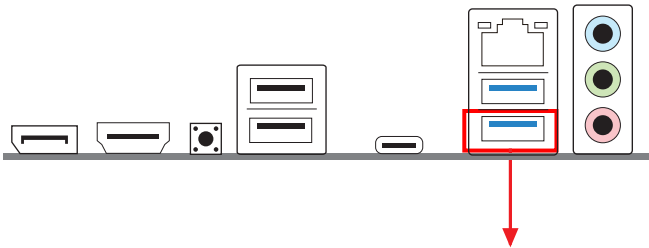
BIOS Flashback Button

(BIOS_FBI) (see p.7, No. 8)

BIOS Flashback Button allows users to flash the BIOS.



BIOS_FBI



USB BIOS Flashback port

This motherboard is equipped with AMD USB BIOS Flashback feature that allows you to update BIOS without powering on the system.



Before using the BIOS Flashback function, please suspend BitLocker and any encryption or security relying on the TPM. Make sure that you have already stored and backup-ed the recovery key. If the recovery key is missing while encryption is active, the data will stay encrypted and the system will not boot into the operating system. It is recommended to disable fTPM before updating the BIOS. Otherwise an unpredictable failure may occur.

USB Drive Requirements

The USB drive that is used for the BIOS update feature should meet the following requirements:

- USB 2.0 only
- Capacity up to 32GB
- Must be formatted as FAT16 or FAT32.

Root Directory Files

In the root directory there are two required files:

- BIOSUBU.BIN (required)
- PSPBIOS.IMG (required)

To use the USB BIOS Flashback function, please follow the steps below.

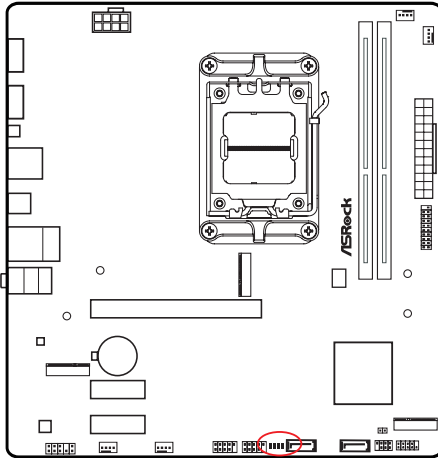
1. Download the latest BIOS file and BIOSUBU.BIN file from ASRock's website:
<http://www.asrock.com>.
2. Copy the BIOS file to your USB flash drive. Please make sure the file system of your USB flash drive must be formatted as FAT16 or FAT32.
3. Extract BIOS file from the zip file.
4. Rename the file to "PSPBIOS.IMG". Save it and BIOSUBU.BIN file to the root directory of X: USB flash drive.
5. Install the CPU, CPU fan and DRAM on the motherboard. It is recommended to install the CPU fan to CPU_FAN1 connector. Plug the 8-pin ATX 12V power connector and 24-pin ATX power connector to the motherboard. Then turn on the power supply's AC switch.
*There is no need to power on the system.
6. Then plug your USB drive to the USB BIOS Flashback port.
7. Press the BIOS Flashback Switch for about three seconds. Then the system starts BIOS flashing automatically and the LED starts to blink.
8. Wait until the LED stops blinking, indicating that BIOS flashing has been completed. This takes around 2 and a half minutes. Then the system restarts and enter BIOS.

*If the LED light turns solid green, this means that the BIOS Flashback is not operating properly. Please turn off the power supply's AC switch to disconnect power for several minutes, and turn it on again.

**If the LED does not light up at all, this means that the BIOS Flashback does not work. Please turn off the power supply's AC switch to disconnect power for several minutes, and turn it on again.

2.15 Post Status Checker

Post Status Checker (PSC) diagnoses the computer when users power on the machine. It emits a red light to indicate whether the CPU, memory, VGA or storage is dysfunctional. The lights go off if the four mentioned above are functioning normally.



It is normal for the DRAM status LED to blink during memory training. This indicates the system is working properly.



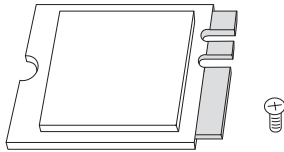
Tutorial Video

2.16 M.2 WiFi/BT PCIe WiFi Module Installation Guide

The M.2 is a small size and versatile card edge connector that aims to replace mPCIe and mSATA. The M.2 Socket (Key E) supports type 2230 WiFi/BT PCIe WiFi module.

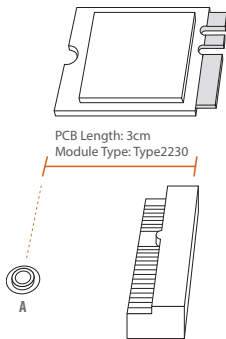
* The M.2 socket does not support SATA M.2 SSDs.

Installing the WiFi/BT module



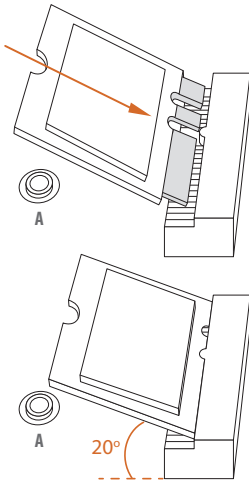
Step 1

Prepare a type 2230 WiFi/BT PCIe WiFi module and the screw.

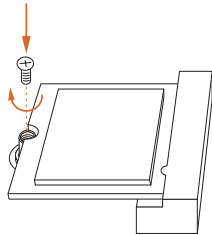


Step 2

Find the nut location to be used.

**Step 3**

Gently insert the WiFi/BT PCIe WiFi module into the M.2 slot. Please be aware that the module only fits in one orientation.

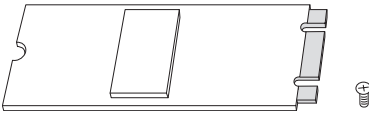
**Step 4**

Tighten the screw with a screwdriver to secure the module into place. Please do not overtighten the screw as this might damage the module.

2.17 M.2 SSD Module Installation Guide (M2_1)

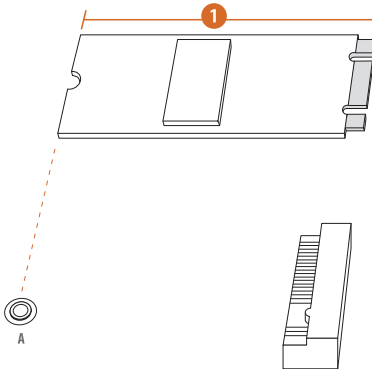
The M.2 is a small size and versatile card edge connector that aims to replace mPCIe and mSATA. The Hyper M.2 Socket (M2_1, Key M) supports type 2280 PCIe Gen4x4 (64 Gb/s) mode.

Installing the M.2 SSD Module



Step 1

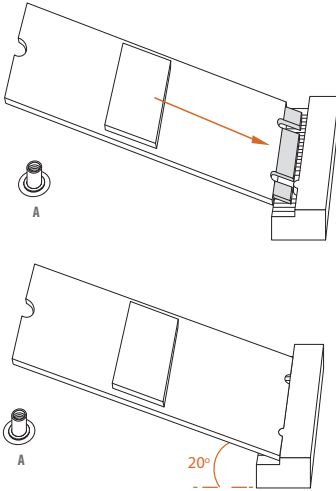
Prepare a M.2 SSD module and the screw.



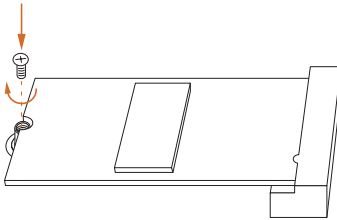
Step 2

Depending on the PCB type and length of your M.2 SSD module, find the corresponding nut location to be used.

No.	1
Nut Location	A
PCB Length	8cm
Module Type	Type 2280

**Step 3**

Align and gently insert the M.2 SSD module into the M.2 slot. Please be aware that the M.2 SSD module only fits in one orientation.

**Step 4**

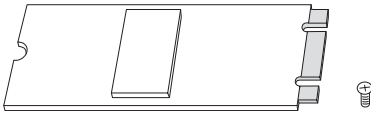
Tighten the screw with a screwdriver to secure the module into place. Please do not overtighten the screw as this might damage the module.

For the latest updates of M.2 SSD module support list, please visit our website for details:
<http://www.asrock.com>

2.18 M.2 SSD Module Installation Guide (M2_2)

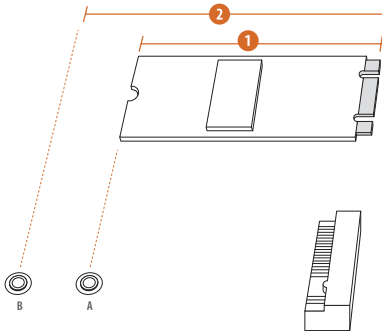
The M.2 is a small size and versatile card edge connector that aims to replace mPCIe and mSATA. The M.2 Socket (M2_2, Key M) supports type 2260/2280 SATA3 6.0 Gb/s & PCIe Gen3x2 (16 Gb/s) modes.

Installing the M.2 SSD Module



Step 1

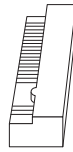
Prepare a M.2 SSD module and the screw.



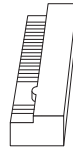
Step 2

Depending on the PCB type and length of your M.2 SSD module, find the corresponding nut location to be used.

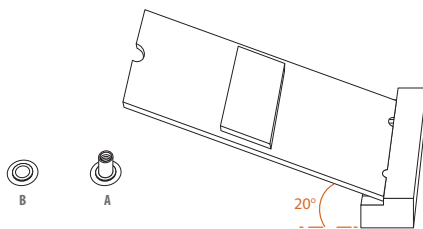
No.	1	2
Nut Location	A	B
PCB Length	6cm	8cm
Module Type	Type 2260	Type 2280

**Step 3**

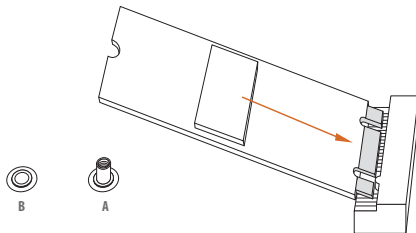
Move the standoff based on the module type and length. The standoff is placed at the nut location B by default. Skip Step 3 and 4 and go straight to Step 5 if you are going to use the default nut.

**Step 4**

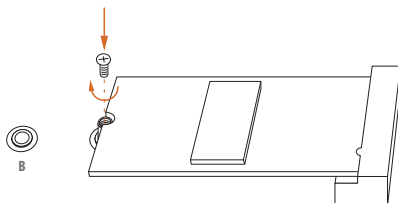
Peel off the yellow protective film on the nut to be used. Hand tighten the standoff into the desired nut location on the motherboard.

**Step 5**

Align and gently insert the M.2 SSD module into the M.2 slot. Please be aware that the M.2 SSD module only fits in one orientation.

**Step 6**

Tighten the screw with a screwdriver to secure the module into place. Please do not overtighten the screw as this might damage the module.



Version 1.0

Published March 2023

Copyright©2023 ASRock INC. All rights reserved.

Copyright Notice:

No part of this documentation may be reproduced, transcribed, transmitted, or translated in any language, in any form or by any means, except duplication of documentation by the purchaser for backup purpose, without written consent of ASRock Inc.

Products and corporate names appearing in this documentation may or may not be registered trademarks or copyrights of their respective companies, and are used only for identification or explanation and to the owners' benefit, without intent to infringe.

Disclaimer:

Specifications and information contained in this documentation are furnished for informational use only and subject to change without notice, and should not be constructed as a commitment by ASRock. ASRock assumes no responsibility for any errors or omissions that may appear in this documentation.

With respect to the contents of this documentation, ASRock does not provide warranty of any kind, either expressed or implied, including but not limited to the implied warranties or conditions of merchantability or fitness for a particular purpose.

In no event shall ASRock, its directors, officers, employees, or agents be liable for any indirect, special, incidental, or consequential damages (including damages for loss of profits, loss of business, loss of data, interruption of business and the like), even if ASRock has been advised of the possibility of such damages arising from any defect or error in the documentation or product.



This device complies with Part 15 of the FCC Rules. Operation is subject to the following two conditions:

- (1) this device may not cause harmful interference, and
- (2) this device must accept any interference received, including interference that may cause undesired operation.

The terms HDMI® and HDMI High-Definition Multimedia Interface, and the HDMI logo are trademarks or registered trademarks of HDMI Licensing LLC in the United States and other countries.





WARNING

THIS PRODUCT CONTAINS A BUTTOON BATTERY
If swallowed, a button battery can cause serious injury or death.
Please keep batteries out of sight or reach of children.

CALIFORNIA, USA ONLY

The Lithium battery adopted on this motherboard contains Perchlorate, a toxic substance controlled in Perchlorate Best Management Practices (BMP) regulations passed by the California Legislature. When you discard the Lithium battery in California, USA, please follow the related regulations in advance.

“Perchlorate Material-special handling may apply, see www.dtsc.ca.gov/hazardouswaste/perchlorate”

AUSTRALIA ONLY

Our goods come with guarantees that cannot be excluded under the Australian Consumer Law. You are entitled to a replacement or refund for a major failure and compensation for any other reasonably foreseeable loss or damage caused by our goods. You are also entitled to have the goods repaired or replaced if the goods fail to be of acceptable quality and the failure does not amount to a major failure. If you require assistance please call ASRock Tel : +886-2-28965588 ext.123 (Standard International call charges apply)



ASRock INC. hereby declares that this device is in compliance with the essential requirements and other relevant provisions of related UKCA Directives. Full text of UKCA declaration of conformity is available at: <http://www.asrock.com>



ASRock INC. hereby declares that this device is in compliance with the essential requirements and other relevant provisions of related Directives. Full text of EU declaration of conformity is available at: <http://www.asrock.com>

ASRock follows the green design concept to design and manufacture our products, and makes sure that each stage of the product life cycle of ASRock product is in line with global environmental regulations. In addition, ASRock disclose the relevant information based on regulation requirements.

Please refer to <https://www.asrock.com/general/about.asp?cat=Responsibility> for information disclosure based on regulation requirements ASRock is complied with.



DO NOT throw the motherboard in municipal waste. This product has been designed to enable proper reuse of parts and recycling. This symbol of the crossed out wheeled bin indicates that the product (electrical and electronic equipment) should not be placed in municipal waste. Check local regulations for disposal of electronic products.